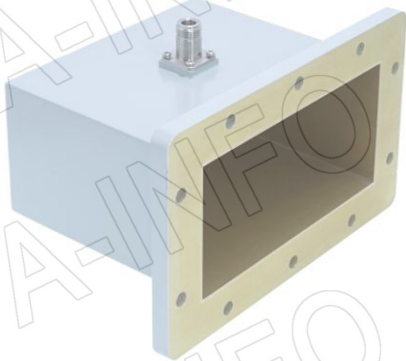


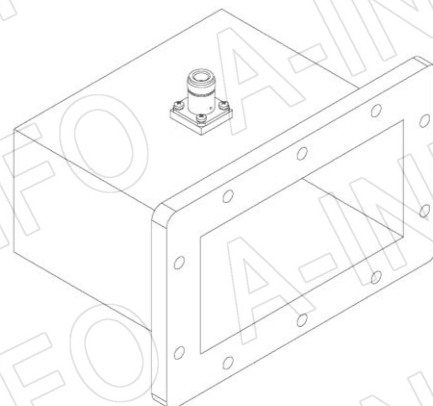
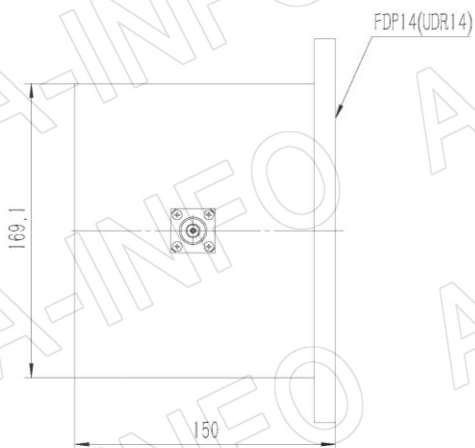
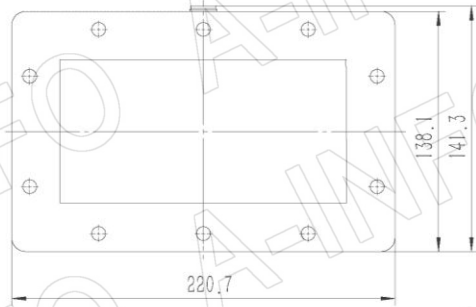
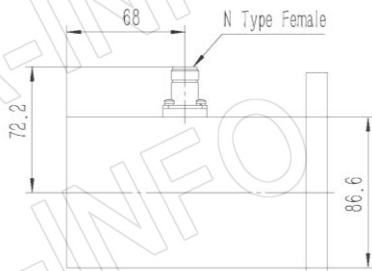
For reference only. See data sheet for the detailed specifications.

Technical Specification

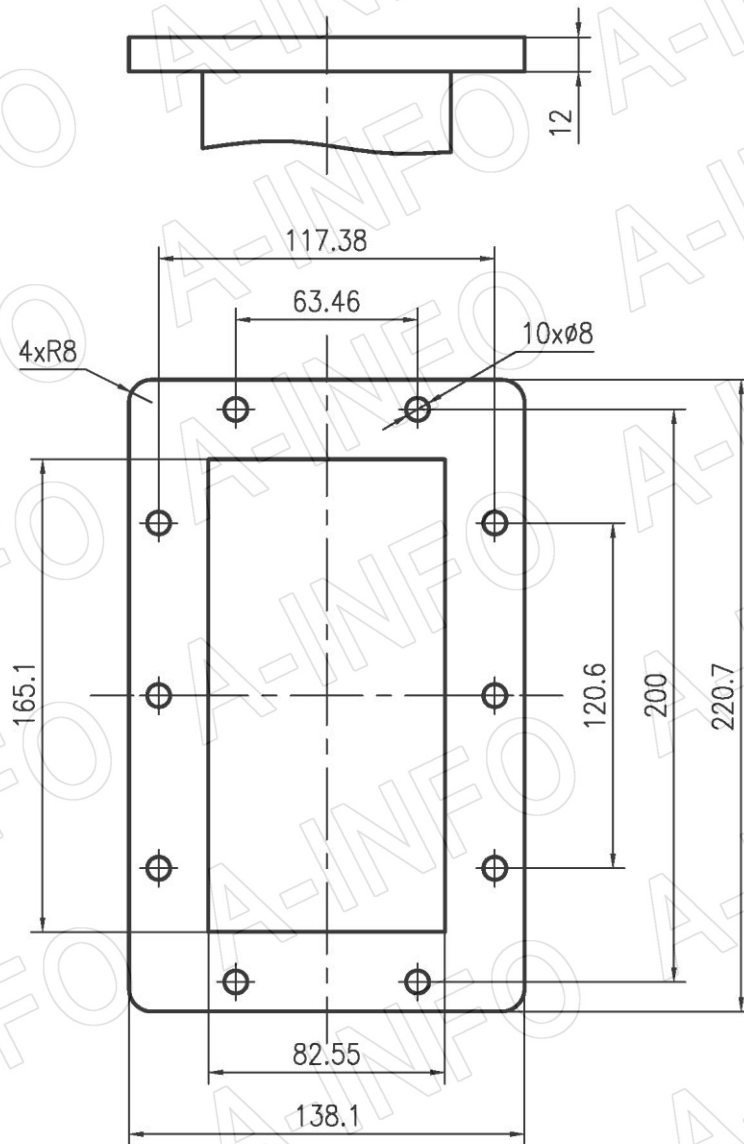


EIA WR	WR650
Frequency Range(GHz)	1.12 – 1.70
Insertion Loss(dB)	0.15 Max.
VSWR	1.25:1 Max.
Flange	FDP14(UDR14)
Connector	N-Female
Average Power(W CW)	300 Max.
Peak Power(KW)	3
Material	Al
Size(mm)	150 x 220.7 x 141.3
Net Weight(Kg)	1.25 Around

Outline Drawing (Size: mm)



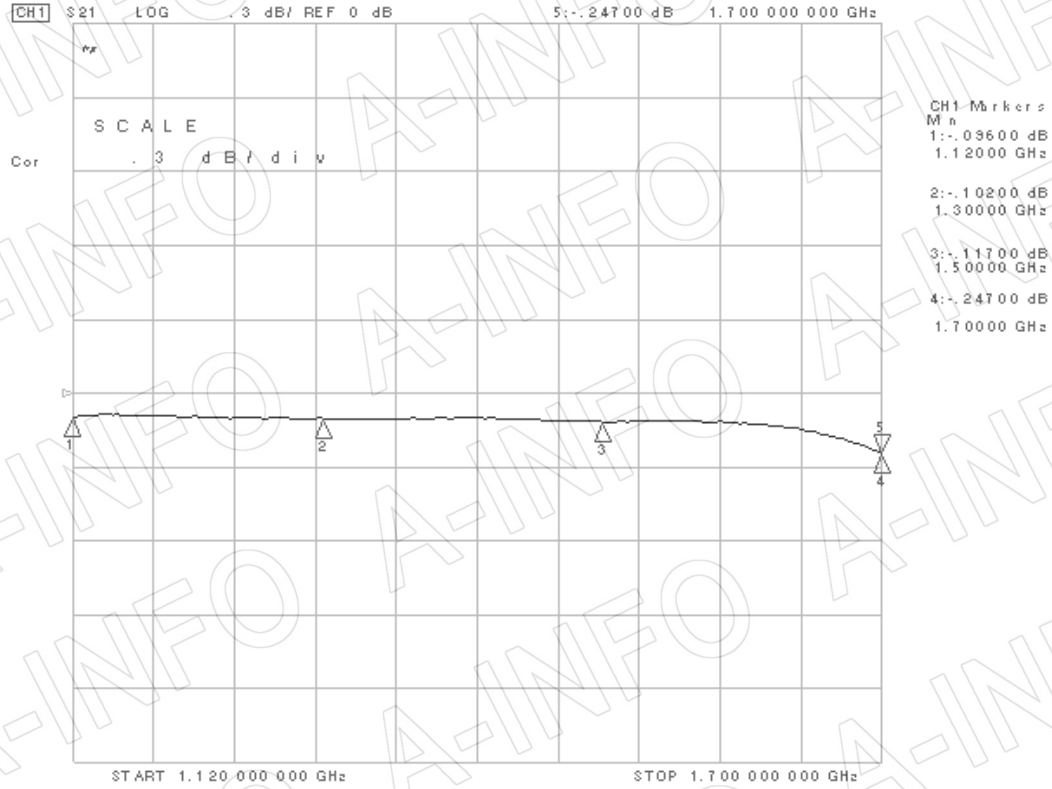
Flange Drawing (Size: mm)



FDP14

Test Results

Insertion Loss (Test with two adapters back to back)



VSWR

