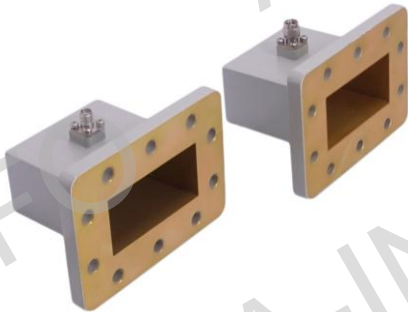


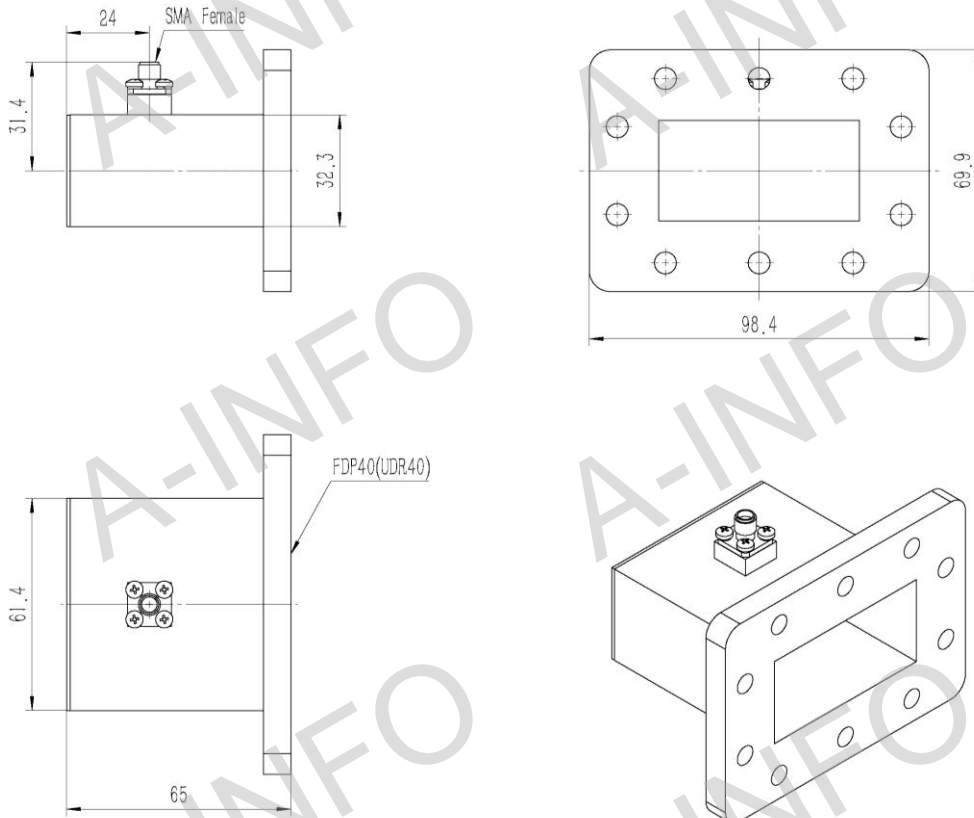
Technical Specification



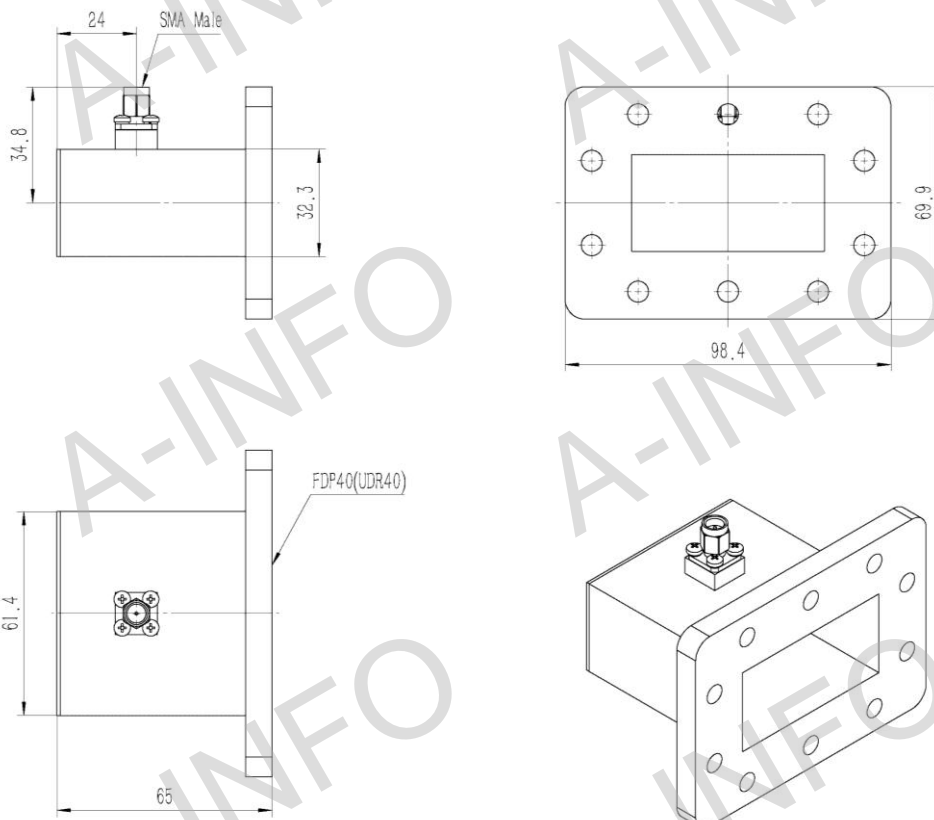
EIA WR	WR229
Frequency Range(GHz)	3.3 – 4.9
Insertion Loss(dB)	0.16 Max.
VSWR	1.25:1 Max.
Flange	FDP40(UDR40)
Connector	SMA-Female or SMA-Male
Average Power(W CW)	50 Max.
Peak Power(KW)	3
Material	Al
Size(mm)	65 x 98.4 x 69.9
Net Weight(Kg)	0.18 Around

Outline Drawing (Size: mm)

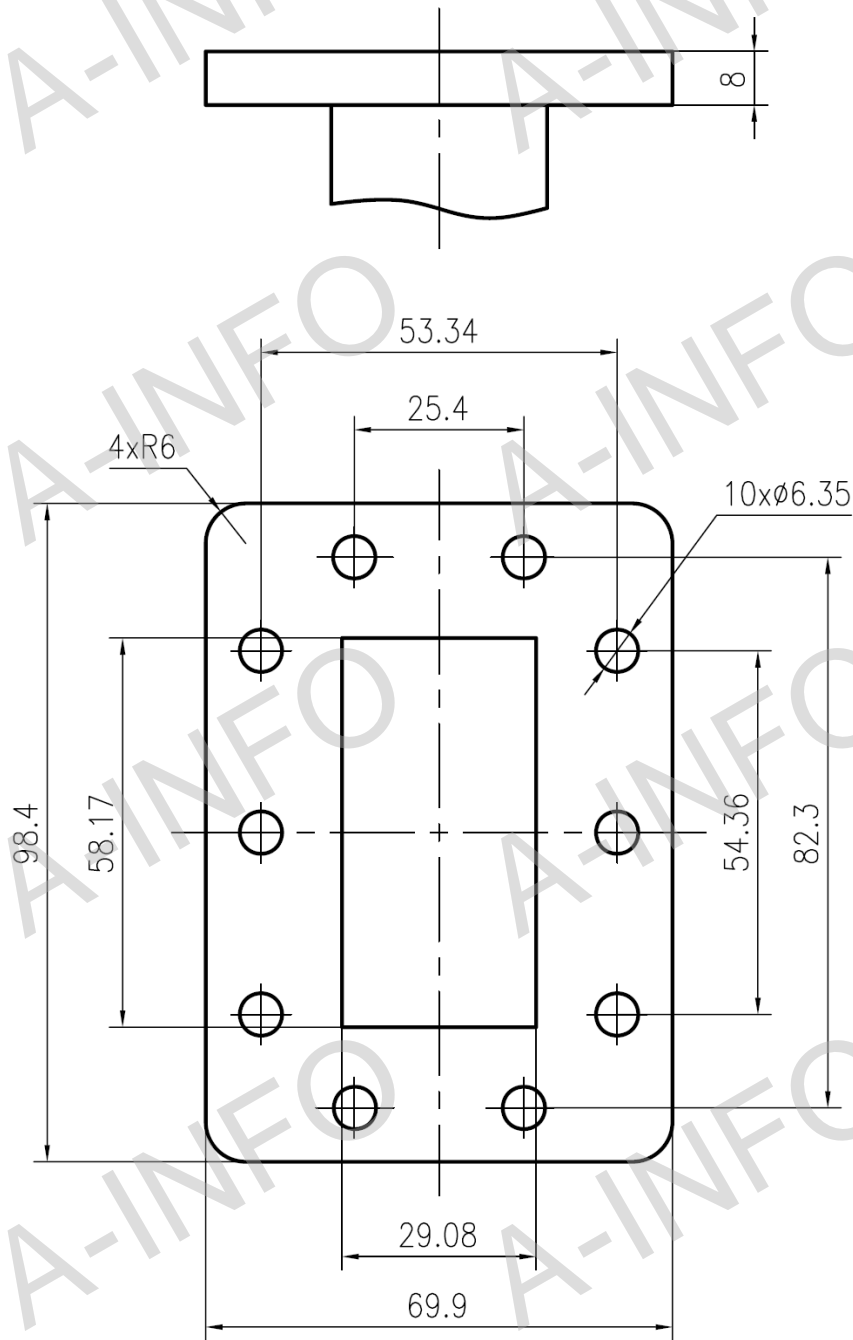
229WCAS (With SMA-Female Output)



229WCASM (With SMA-Male Output)



Flange Drawing (Size: mm)



FDP40

AINFO Inc.

Page 3 of 4

China(Beijing):
China(Chengdu):
USA :

Tel: (+86) 10-6266-7326,
Tel: (+86) 28-8519-2786,
Tel: (+1) 949-639-9688,

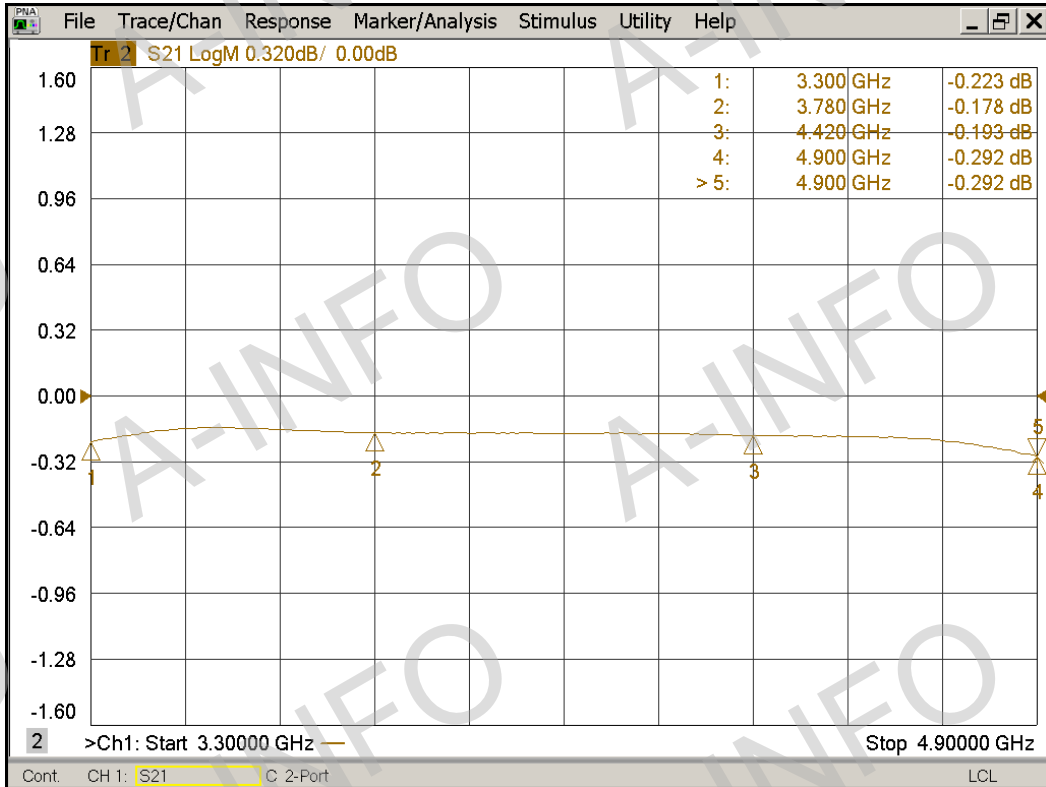
(+86) 10-6266-7327
(+86) 28-8519-3044
(+1) 949-639-9608

Fax: (+86) 10-6266-7379
Fax: (+86) 28-8519-3068
Fax: (+1) 949-639-9670

Website: www.ainfoinc.com
Email: sales@ainfoinc.com

Test Results

Insertion Loss (Test with two adapters back to back)



VSWR

