

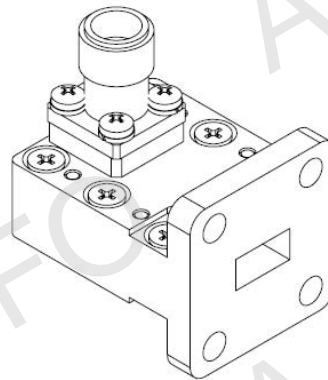
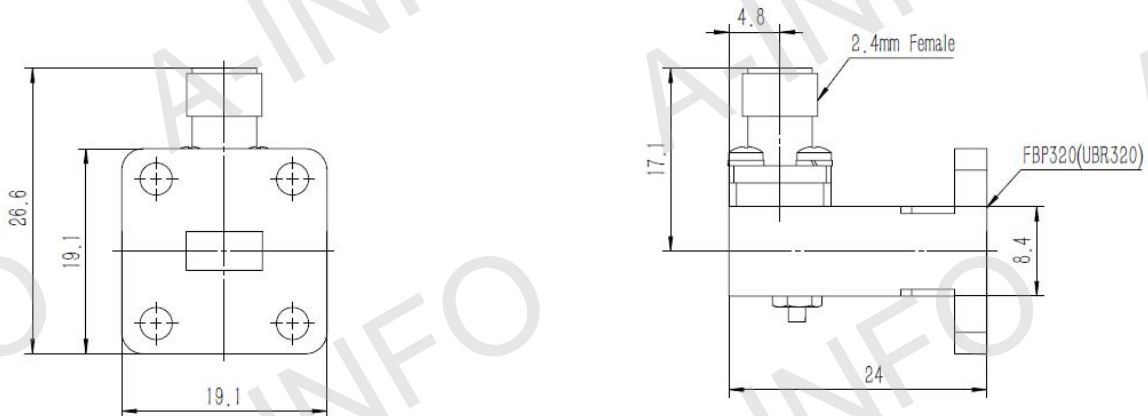
## Technical Specification



EIA WR	WR28
Frequency Range(GHz)	26.5 - 40.0
Insertion Loss(dB)	0.39 Max.
VSWR	1.30:1 Max.
Flange	FBP320(UBR320)
Connector	2.4mm-Female or 2.4mm-Male
Average Power(W CW)	10 Max.
Peak Power(KW)	0.02
Material	Cu
Size(mm)	24 x 19.1 x 26.6
Net Weight(Kg)	0.02 Around

## Outline Drawing (Size: mm)

28WCA2.4\_Cu ( With 2.4mm-Female Output )



AINFO Inc.

Page 1 of 4

China(Beijing):  
China(Chengdu):  
USA :

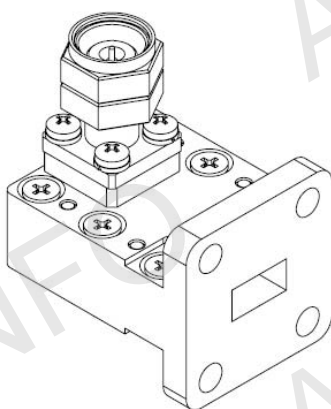
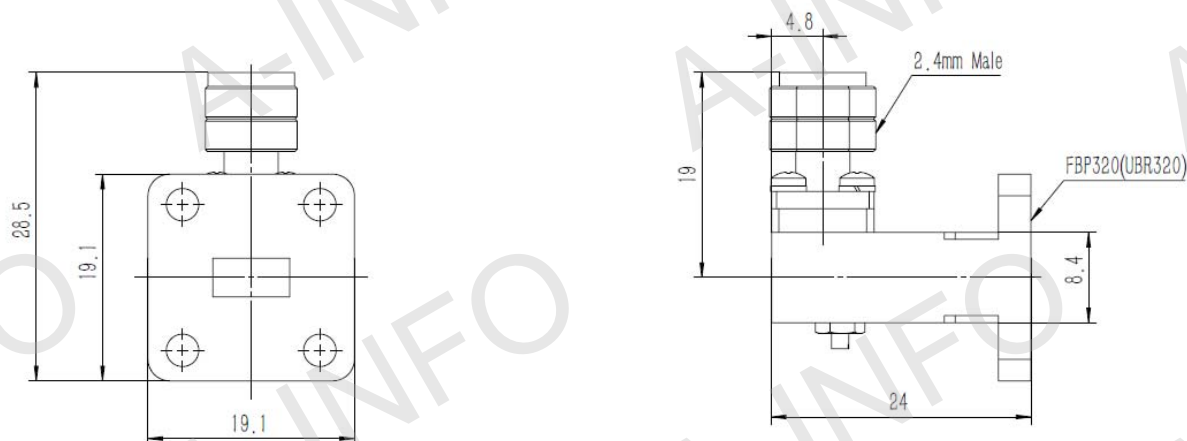
Tel: (+86) 10-6266-7326,  
Tel: (+86) 28-8519-2786,  
Tel: (+1) 949-639-9688,

(+86) 10-6266-7327  
(+86) 28-8519-3044  
(+1) 949-639-9608

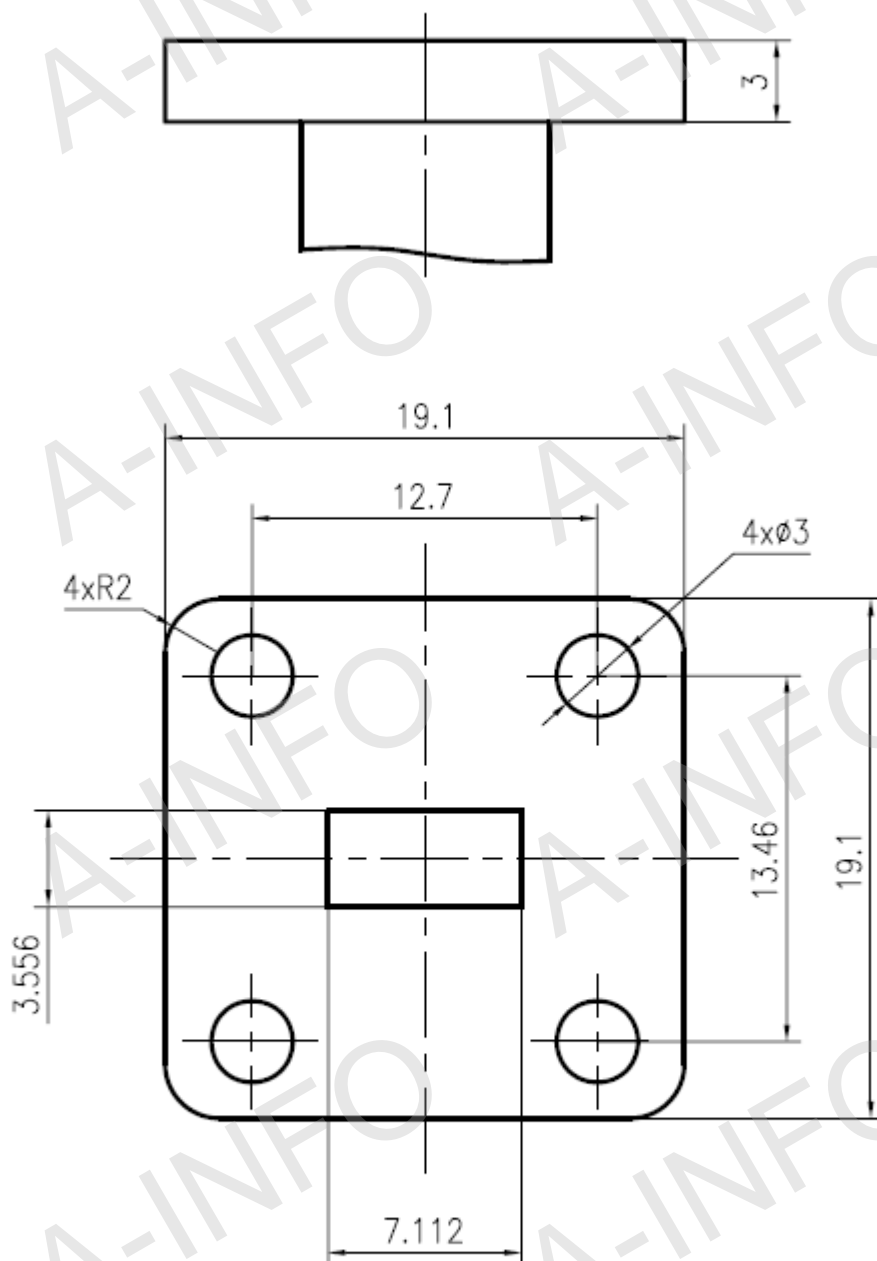
Fax: (+86) 10-6266-7379  
Fax: (+86) 28-8519-3068  
Fax: (+1) 949-639-9670

Website: [www.ainfoinc.com](http://www.ainfoinc.com)  
Email: [sales@ainfoinc.com](mailto:sales@ainfoinc.com)

## 28WCA2.4M\_Cu ( With 2.4mm-Male Output )



## Flange Drawing (Size: mm)



### FBP320

AINFO Inc.

Page 3 of 4

China(Beijing):  
China(Chengdu):  
USA :

Tel: (+86) 10-6266-7326,  
Tel: (+86) 28-8519-2786,  
Tel: (+1) 949-639-9688,

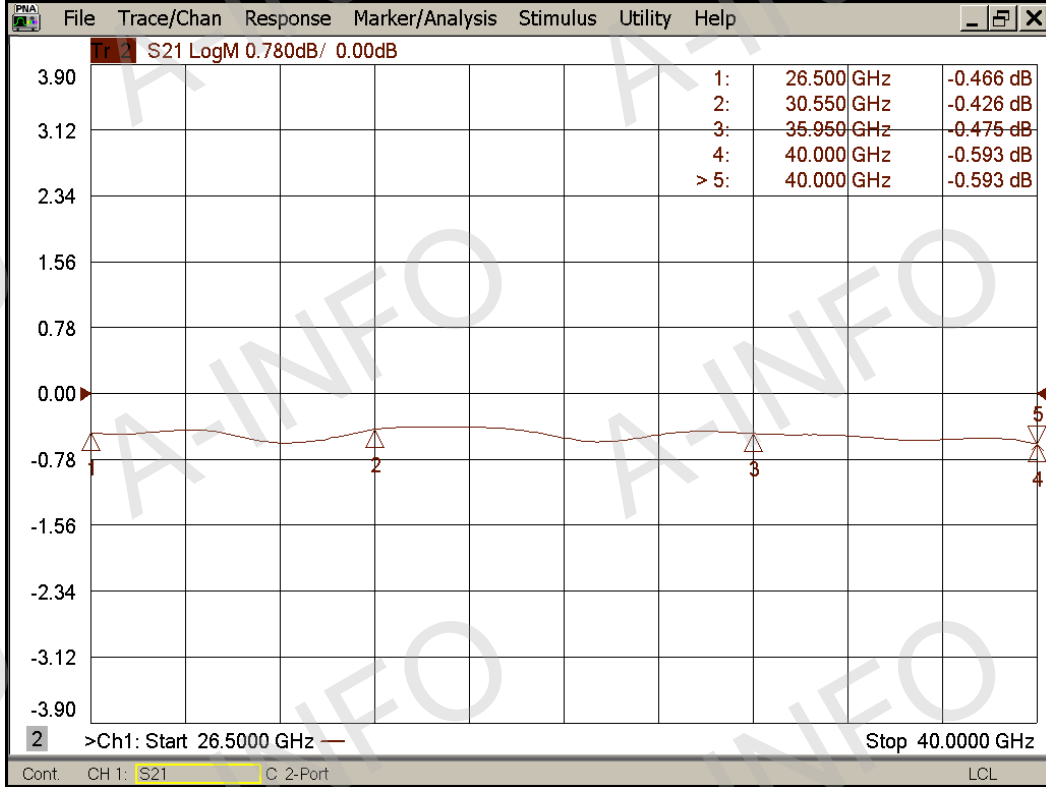
(+86) 10-6266-7327  
(+86) 28-8519-3044  
(+1) 949-639-9608

Fax: (+86) 10-6266-7379  
Fax: (+86) 28-8519-3068  
Fax: (+1) 949-639-9670

Website: [www.ainfoinc.com](http://www.ainfoinc.com)  
Email: [sales@ainfoinc.com](mailto:sales@ainfoinc.com)

## Test Results

I. L. (Test with two adapters back to back)



## VSWR

