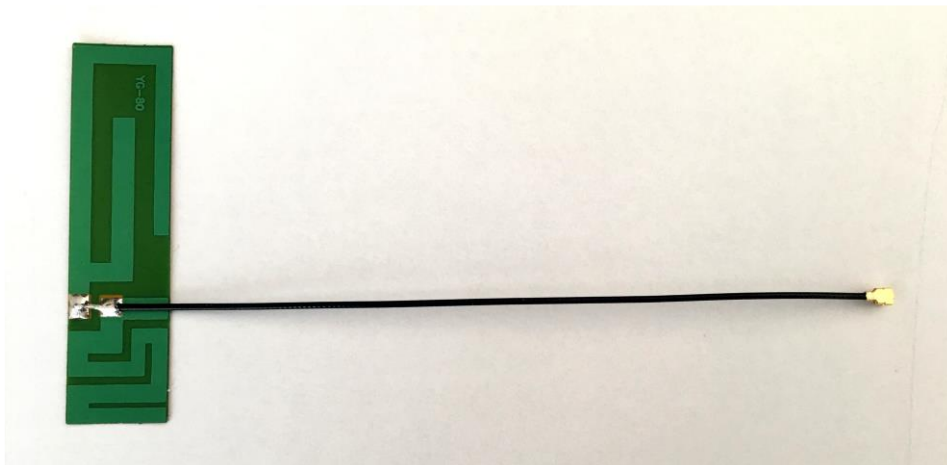
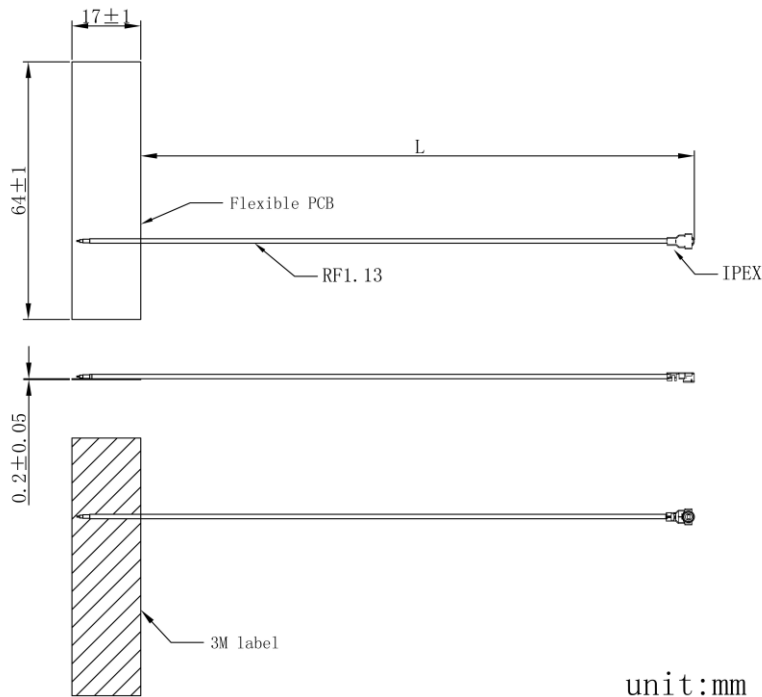




PRODUCT DATASHEET

MG-4G-PCB146

Type	FPCB Antenna
Frequencies	698~960/1710-2690MHz
Mounting	Connector I-PEX
Brand Name	MG ANTENNAS



Revision #	Content	Page	Date
0	First, document	-	01.02.2022

1. SPECIFICATION

1.1 Electrical

Frequency	698-960/1710-2690MHz
Polarization	Linear
Gain	≤3dBi
VSWR	≤2
Impedance	50 Ω
Radiation	Omnidirectional

1.2 Mechanical and Environmental

Cable (type and length)	RF1.13 Coaxial 100mm <i>or other*</i>
Connector	IPEX first generation <i>or other*</i>
Dimensions (without cable)	64x17 x 0.2mm
Operating/ Storage Temperature	- 40°C ~ + 80°C
Substance Compliance	RoHS

* Customizable Cable and Connector