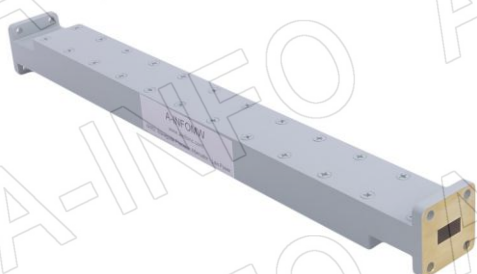
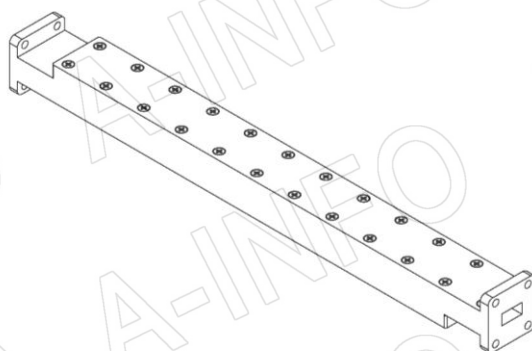
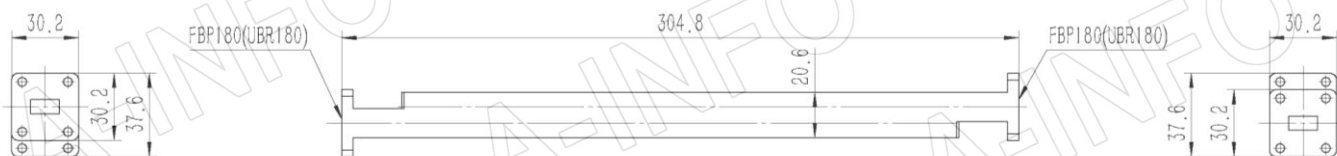


Technical Specification

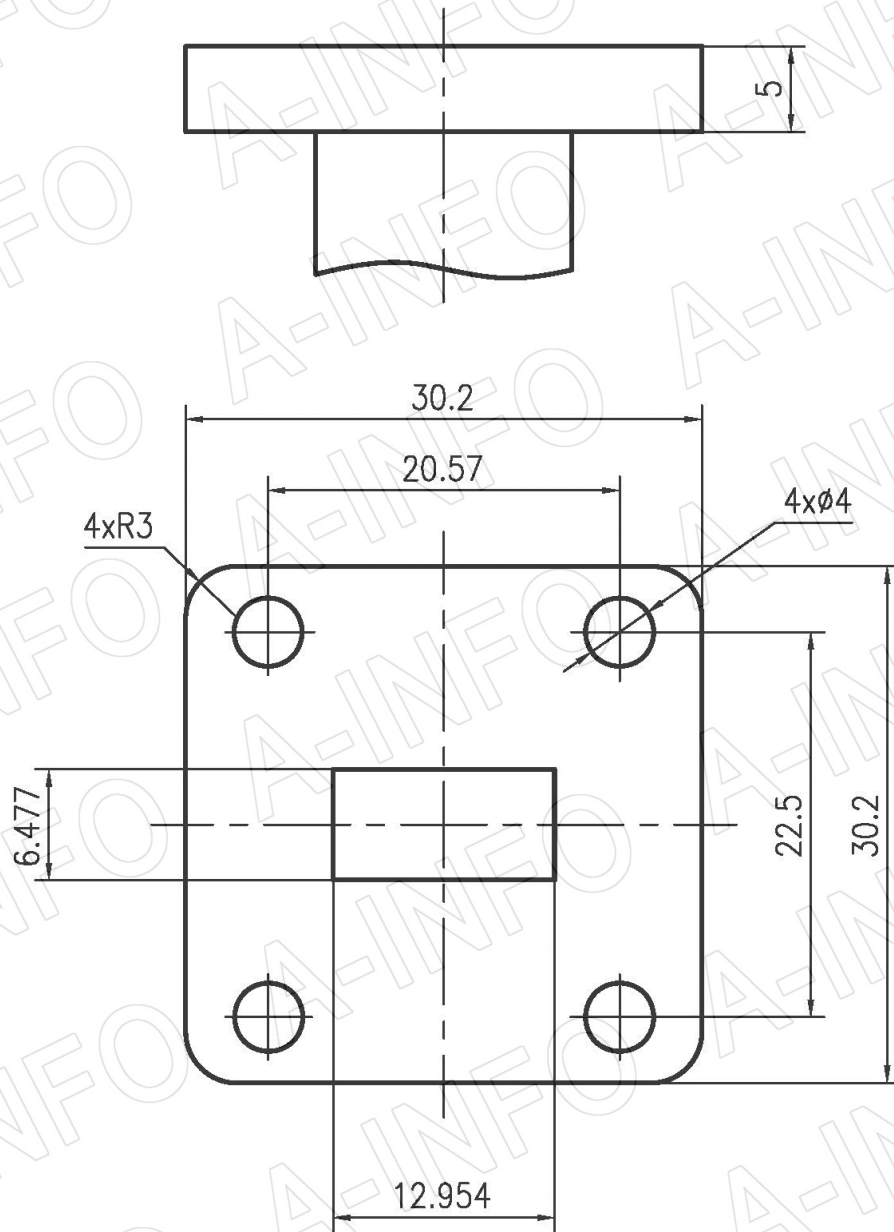


EIA WR	WR51
Frequency Range(GHz)	15.0 – 22.0
Attenuation(dB)	20
Attenuation Accuracy(dB)	±0.9 Max.
Attenuation Sensitivity(dB)	±0.7 Max.
VSWR	1.10:1 Max.
Average Power(W CW)	1
Peak Power(KW)	1
Flange	FBP180(UBR180)
Material	Cu
Size(mm)	304.8 x 30.2 x 37.6
Net Weight(Kg)	1.14 Around

Outline Drawing (Size: mm)



Flange Drawing (Size: mm)



FBP180

AINFO Inc.

Page 2 of 3

China(Beijing):

Tel: (+86) 10-6266-7326,

(+86) 10-6266-7327

Fax: (+86) 10-6266-7379

China(Chengdu):

Tel: (+86) 28-8519-2786,

(+86) 28-8519-3044

Fax: (+86) 28-8519-3068

USA :

Tel: (+1) 949-639-9688,

(+1) 949-639-9608

Fax: (+1) 949-639-9670

Website: www.ainfoinc.com

Email: sales@ainfoinc.com

Test Result

Attenuation & VSWR

CH1	\$S11	\$SWR	100 m / REF 1	5: 1.0186	16.130 000 000 GHz
CH2	\$S21	LOG	.9 dB/ REF -20 dB	5: -13.648 dB	22.000 000 000 GHz
CH3	\$S21	LOG	.9 dB/ REF -20 dB	5: -20.351 dB	17.485 000 000 GHz
CH4	\$S22	\$SWR	100 m / REF 1	5: 1.0160	15.245 000 000 GHz

