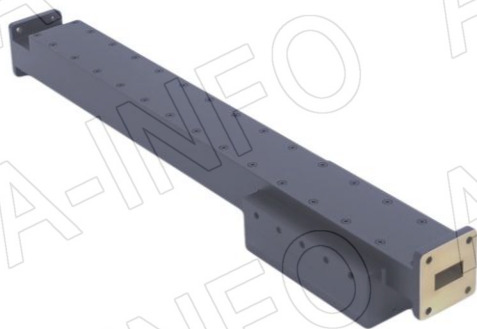


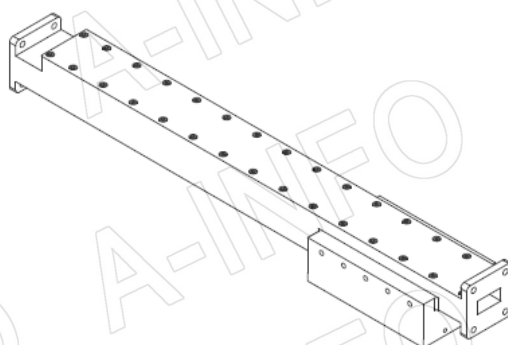
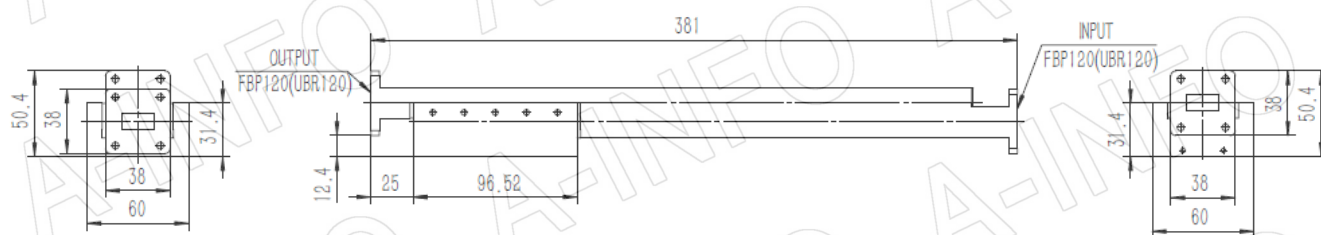
For reference only. See data sheet for the detailed specifications.

Technical Specification



EIA WR	WR75
Frequency Range(GHz)	10.0 – 15.0
Attenuation(dB)	20
Attenuation Accuracy(dB)	±0.9 Max.
Attenuation Sensitivity(dB)	±0.7 Max.
VSWR	1.15:1 Max.
Average Power(W CW)	200
Peak Power(KW)	200
Flange	FBP120(UBR120)
Material	Al
Size(mm)	381 x 60 x 50.4
Net Weight(Kg)	1.08 Around

Outline Drawing (Size: mm)



AINFO Inc.

Page 1 of 3

China(Beijing):
China(Chengdu):
USA :

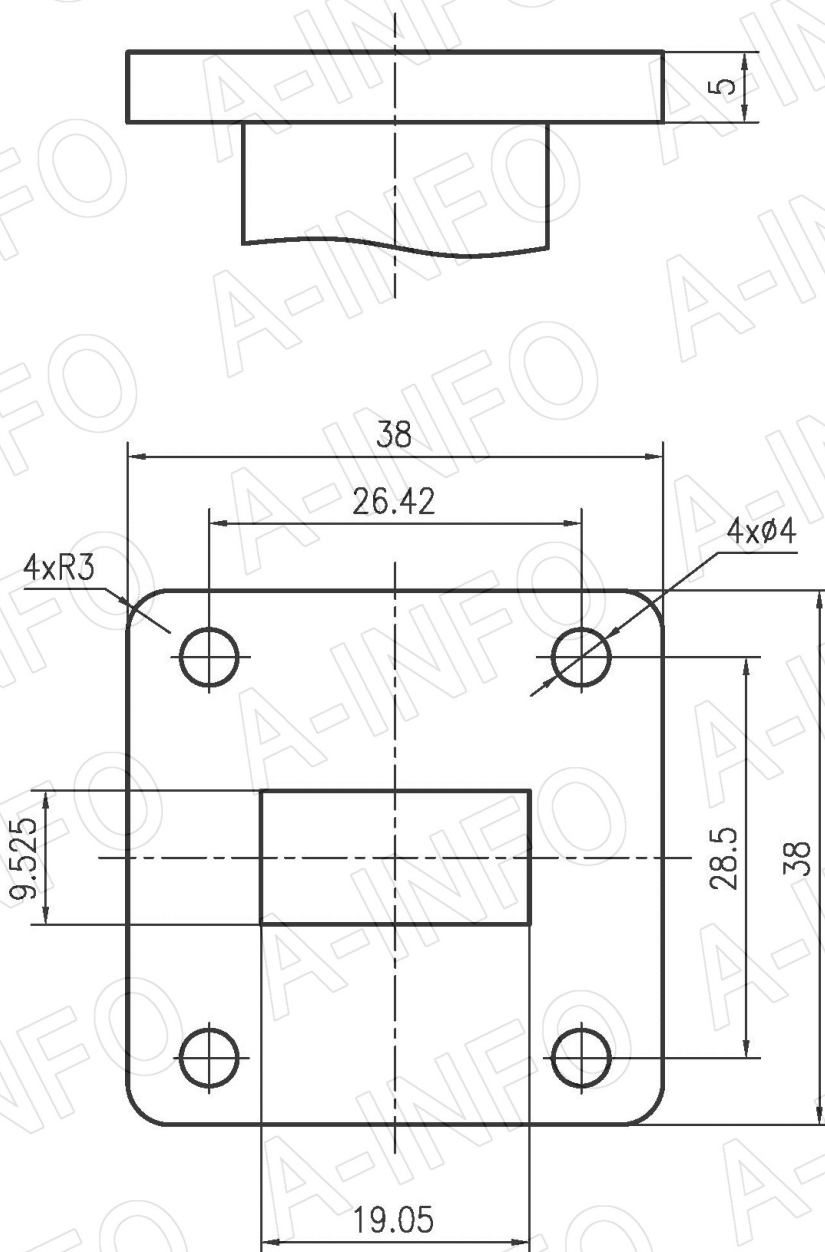
Tel: (+86) 10-6266-7326,
Tel: (+86) 28-8519-2786,
Tel: (+1) 949-639-9688,

(+86) 10-6266-7327
(+86) 28-8519-3044
(+1) 949-639-9608

Fax: (+86) 10-6266-7379
Fax: (+86) 28-8519-3068
Fax: (+1) 949-639-9670

Website: www.ainfoinc.com
Email: sales@ainfoinc.com

Flange Drawing (Size: mm)



FBP120

AINFO Inc.

Page 2 of 3

China(Beijing):

Tel: (+86) 10-6266-7326,

(+86) 10-6266-7327

Fax: (+86) 10-6266-7379

China(Chengdu):

Tel: (+86) 28-8519-2786,

(+86) 28-8519-3044

Fax: (+86) 28-8519-3068

USA :

Tel: (+1) 949-639-9688,

(+1) 949-639-9608

Fax: (+1) 949-639-9670

Website: www.ainfoinc.com

Email: sales@ainfoinc.com

Test Result

Attenuation & VSWR

CH1	\$11	\$SWR	150 m / REF 1	5: 1.0397	14.200 000 000 GHz
CH2	\$21	LOG	.3 dB / REF -20 dB	5: -13.667 dB	15.000 000 000 GHz
CH3	\$21	LOG	.3 dB / REF -20 dB	5: -20.421 dB	12.100 000 000 GHz
CH4	\$22	\$SWR	150 m / REF 1	5: 1.0422	14.800 000 000 GHz

