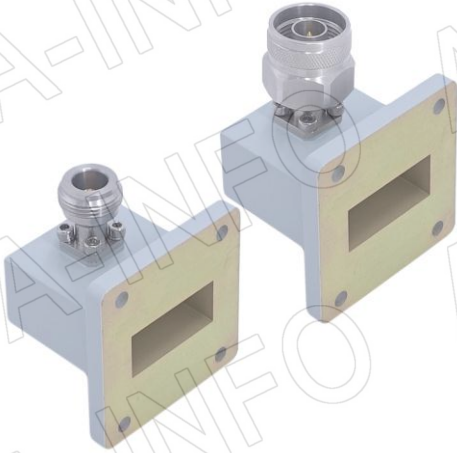


For reference only. See data sheet for the detailed specifications.

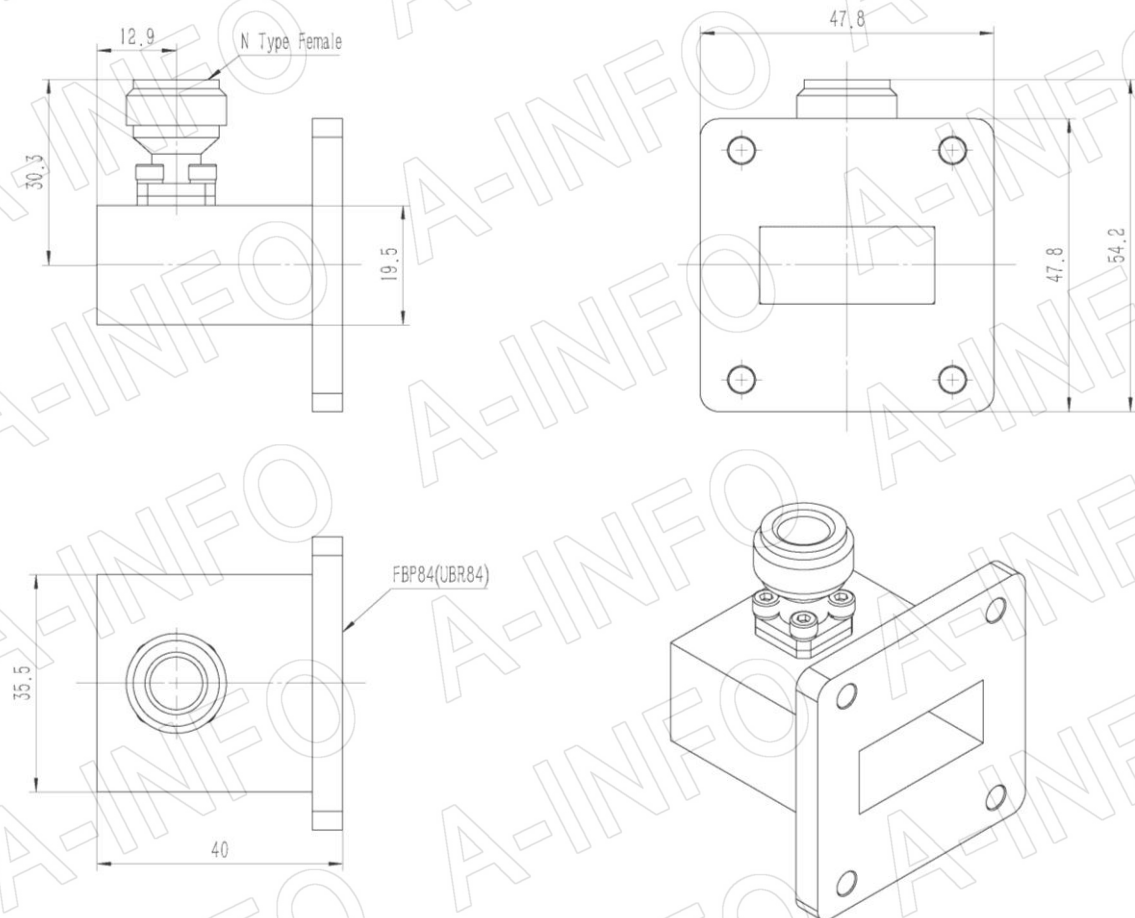
Technical Specification



EIA WR	WR112
Frequency Range(GHz)	7.05 – 10.0
Insertion Loss(dB)	0.18 Max.
VSWR	1.25:1 Max.
Flange	FBP84(UBR84)
Connector	N-Female or N-Male
Average Power(W CW)	150 Max.
Peak Power(KW)	3
Material	Al
Size(mm)	40 x 47.8 x 54.2
Net Weight(Kg)	0.08 Around

Outline Drawing (Size: mm)

N-Female Output (P/N: 112WCAN)



AINFO Inc.

Page 1 of 4

China(Beijing):
China(Chengdu):
USA :

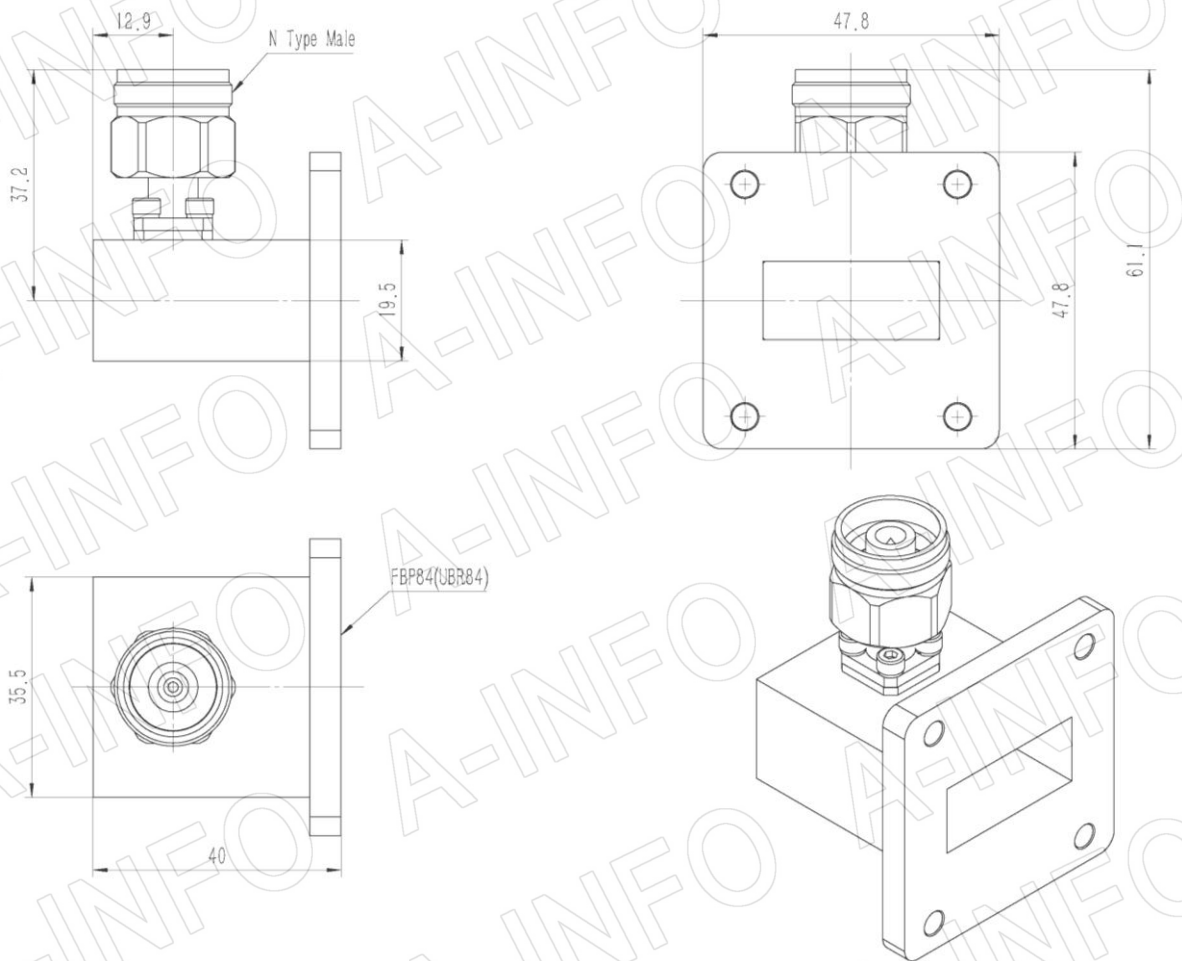
Tel: (+86) 10-6266-7326,
Tel: (+86) 28-8519-2786,
Tel: (+1) 949-639-9688,

(+86) 10-6266-7327
(+86) 28-8519-3044
(+1) 949-639-9608

Fax: (+86) 10-6266-7379
Fax: (+86) 28-8519-3068
Fax: (+1) 949-639-9670

Website: www.ainfoinc.com
Email: sales@ainfoinc.com

N-Male Output (P/N: 112WCANM)



AINFO Inc.

Page 2 of 4

China(Beijing):
China(Chengdu):
USA :

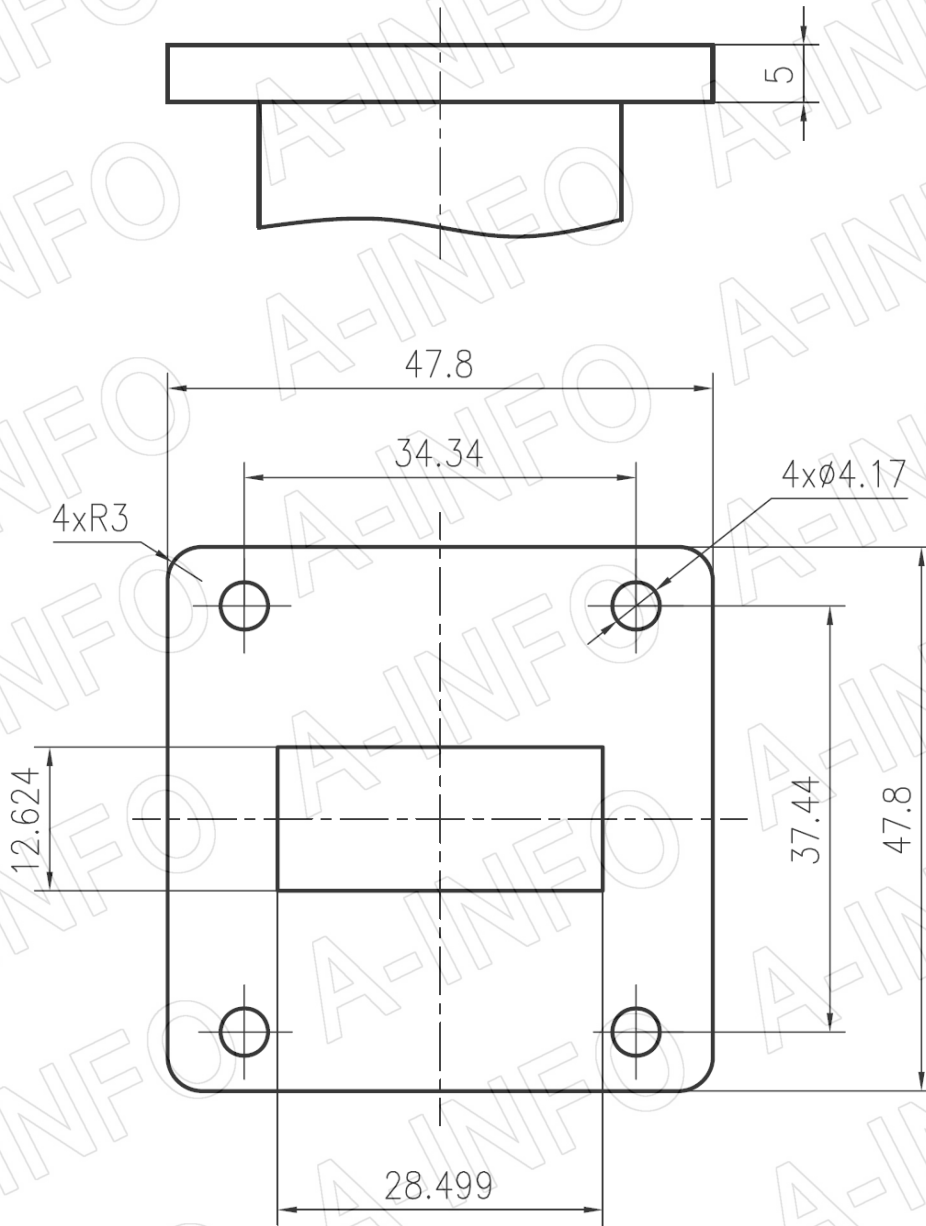
Tel: (+86) 10-6266-7326,
Tel: (+86) 28-8519-2786,
Tel: (+1) 949-639-9688,

(+86) 10-6266-7327
(+86) 28-8519-3044
(+1) 949-639-9608

Fax: (+86) 10-6266-7379
Fax: (+86) 28-8519-3068
Fax: (+1) 949-639-9670

Website: www.ainfoinc.com
Email: sales@ainfoinc.com

Flange Drawing (Size: mm)



FBP84

AINFO Inc.

Page 3 of 4

China(Beijing):
China(Chengdu):
USA :

Tel: (+86) 10-6266-7326,
Tel: (+86) 28-8519-2786,
Tel: (+1) 949-639-9688,

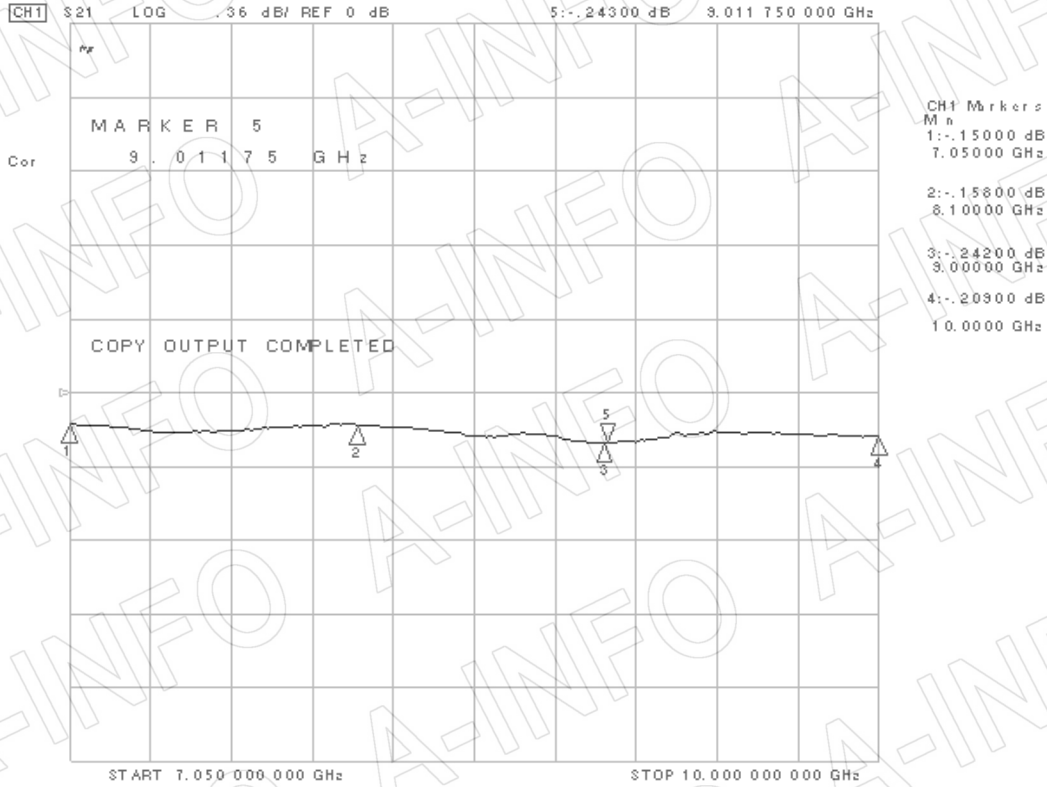
(+86) 10-6266-7327
(+86) 28-8519-3044
(+1) 949-639-9608

Fax: (+86) 10-6266-7379
Fax: (+86) 28-8519-3068
Fax: (+1) 949-639-9670

Website: www.ainfoinc.com
Email: sales@ainfoinc.com

Test Results

Insertion Loss (Test with two adapters back to back)



VSWR

