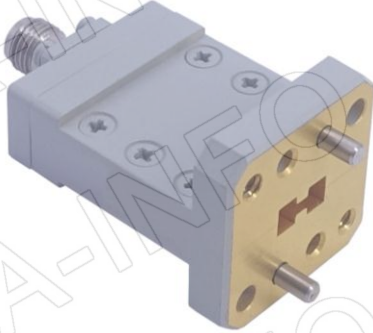
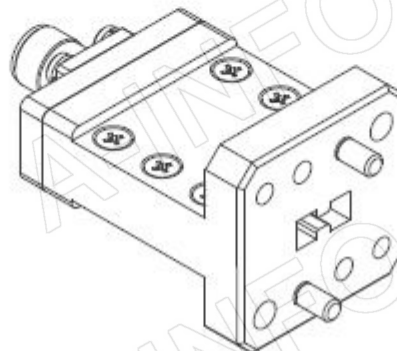
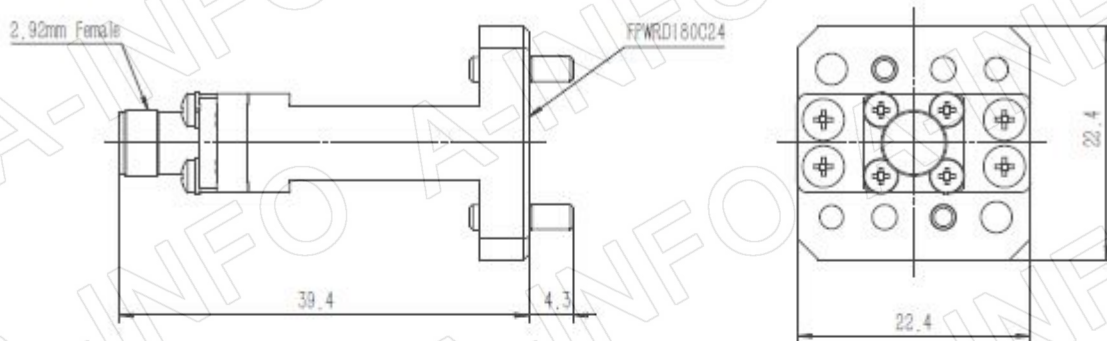


## Technical Specification



|                      |                    |
|----------------------|--------------------|
| EIA WRD              | WRD180             |
| Frequency Range(GHz) | 18.0 - 40.0        |
| Insertion Loss(dB)   | 0.75 Max.          |
| VSWR                 | 1.50:1 Max.        |
| Flange               | FPWRD180C24        |
| Connector            | 2.92mm-Female      |
| Average Power(W CW)  | 10 Max.            |
| Peak Power(KW)       | 0.04               |
| Material             | Cu                 |
| Size(mm)             | 43.7 x 22.4 x 22.4 |
| Net Weight(Kg)       | 0.06 Around        |

## Outline Drawing (Size: mm)



AINFO Inc.

Page 1 of 3

China(Beijing):  
China(Chengdu):  
USA :

Tel: (+86) 10-6266-7326,  
Tel: (+86) 28-8519-2786,  
Tel: (+1) 949-639-9688,

(+86) 10-6266-7327  
(+86) 28-8519-3044  
(+1) 949-639-9608

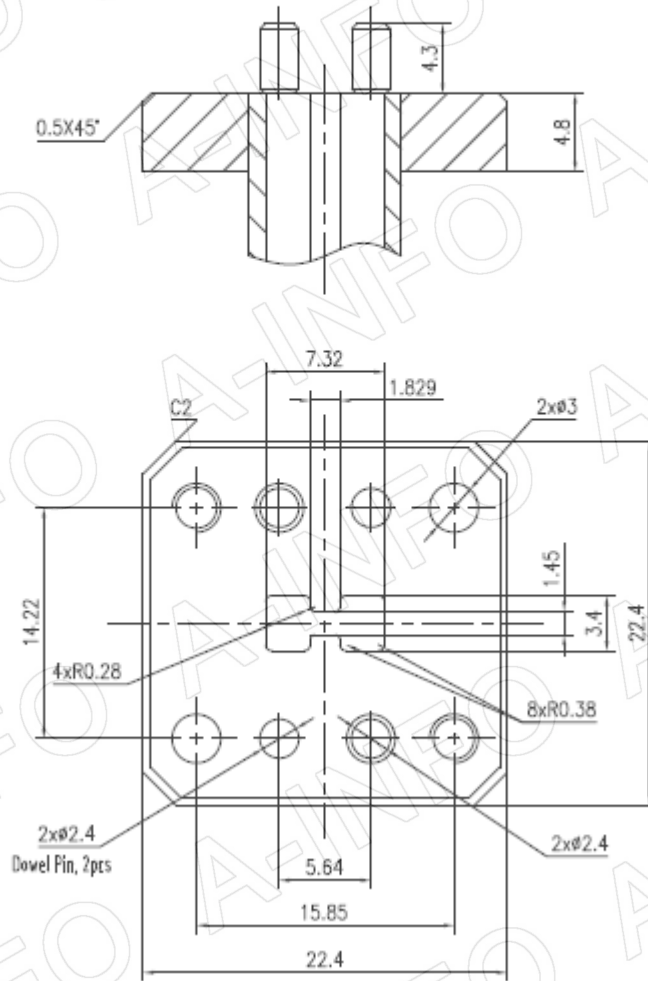
Fax: (+86) 10-6266-7379  
Fax: (+86) 28-8519-3068  
Fax: (+1) 949-639-9670

Website: [www.ainfoinc.com](http://www.ainfoinc.com)  
Email: [sales@ainfoinc.com](mailto:sales@ainfoinc.com)

## Flange Drawing (Size: mm)

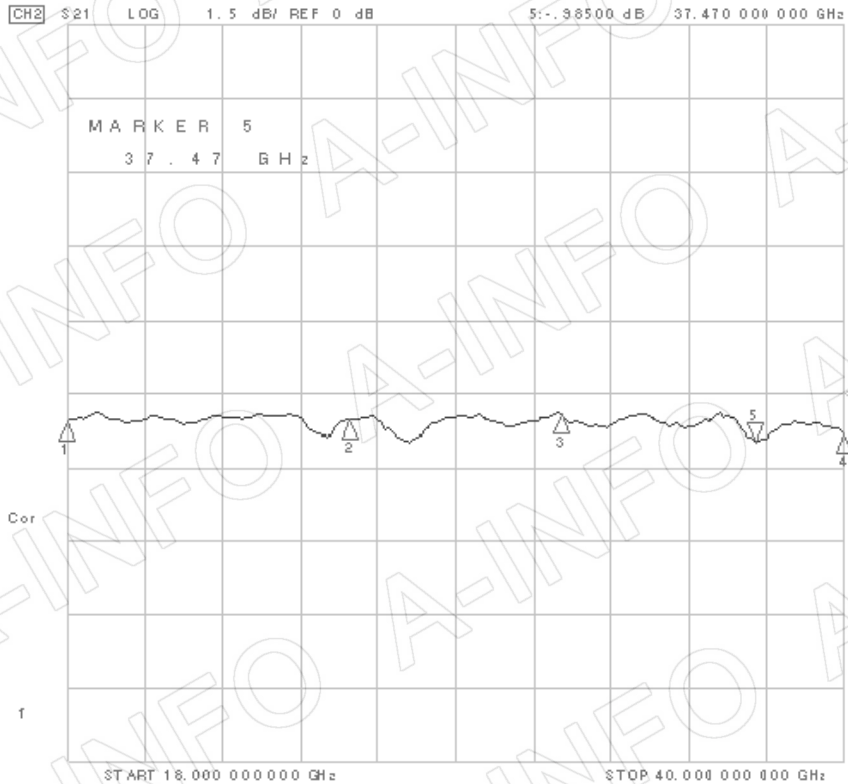
### FPWRD180C24

(With two through mounting holes and two screws holes)

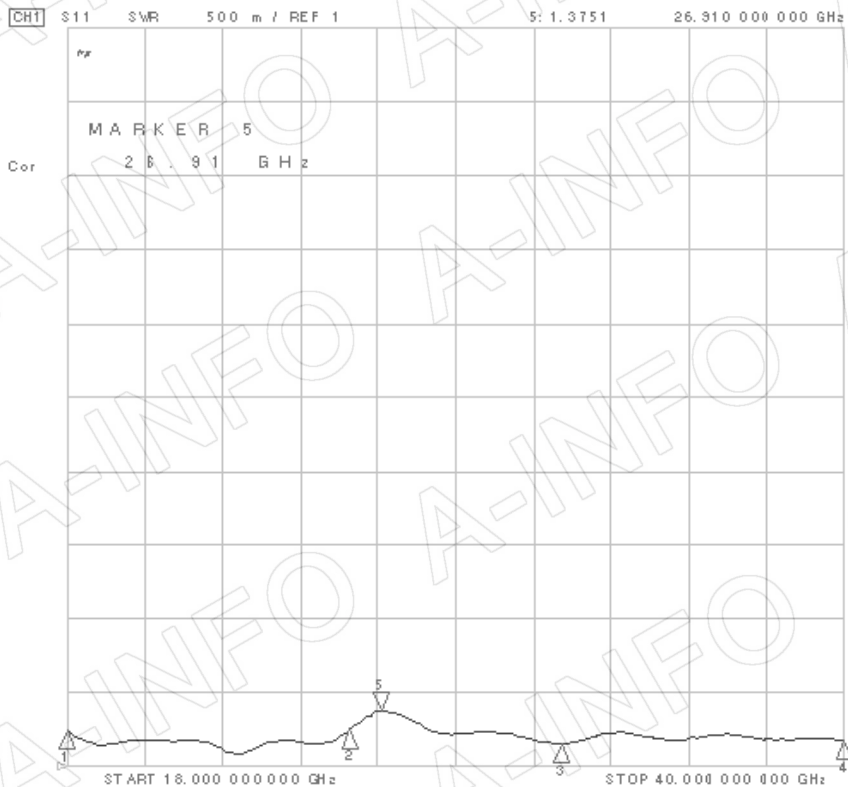


## Test Results

I. L. (Test with two adapters back to back)



VSWR



AINFO Inc.

Page 3 of 3

China(Beijing):  
 China(Chengdu):  
 USA :

Tel: (+86) 10-6266-7326,  
 Tel: (+86) 28-8519-2786,  
 Tel: (+1) 949-639-9688,

(+86) 10-6266-7327  
 (+86) 28-8519-3044  
 (+1) 949-639-9608

Fax: (+86) 10-6266-7379  
 Fax: (+86) 28-8519-3068  
 Fax: (+1) 949-639-9670

Website: www.ainfoinc.com  
 Email: sales@ainfoinc.com