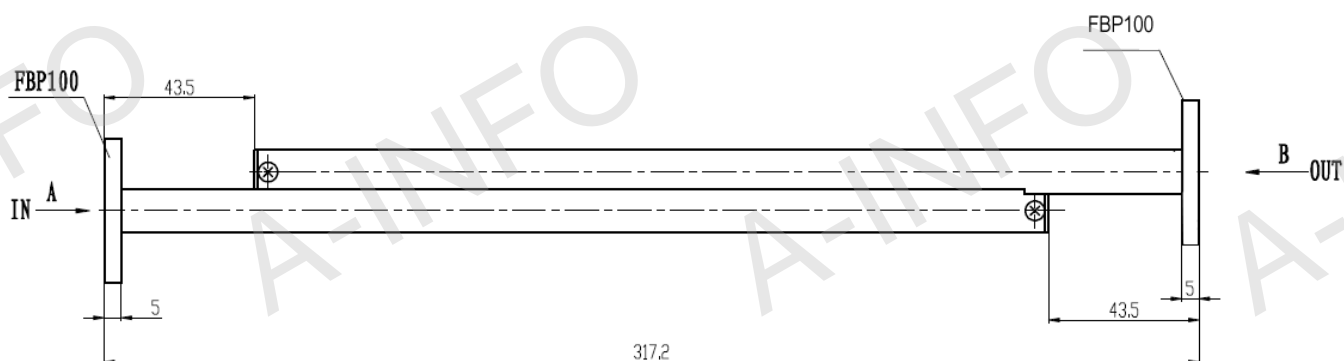


Technical Specification

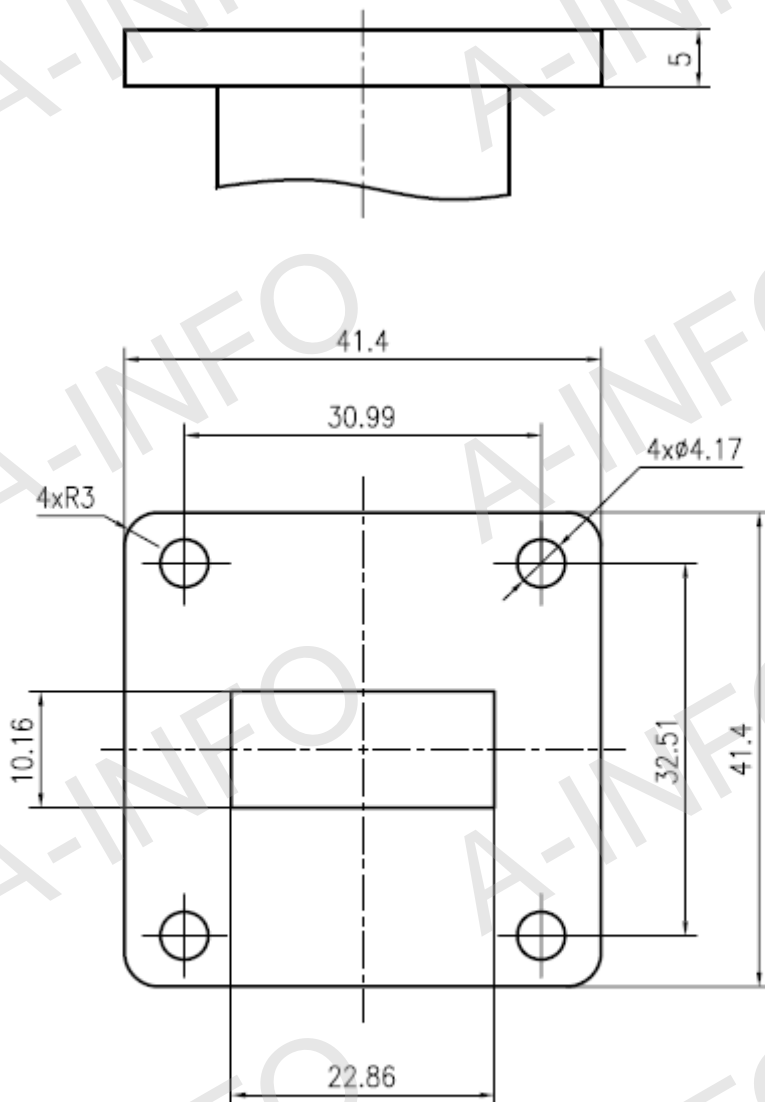


EIA WR	WR90
Frequency Range(GHz)	8.2-12.4
Attenuation(dB)	60
Accuracy(dB)	±2.5 Max
VSWR	1.35 Max
Power Handling(W)	8 CW
Peak Power(KW)	10
Duty Cycle	0.08%
Flange	FBP100(UBR100)
Material	Al

Outline Drawing (Size: mm)



Flange Outline Drawing (Size: mm)



FBP100

Test Results

CH1	S11	SWR	25.0 m / REF 1	5: 1.3546	8.368 000 000 GHz
CH2	S21	LOG	2.5 dB / REF -60 dB	5: -60.597 dB	9.400 000 000 GHz
CH4	S22	SWR	25.0 m / REF 1	5: 1.1417	10.594 000 000 GHz

