



**RoHS compliant**  
**TX-1310/RX-1550 nm Single-mode, Single-Fiber (Bi-directional)**  
**Transceiver 1×9, SC Simplex Connector, 3.3 V (17dB Margin)**  
**155 Mbps ATM/SONET OC-3/SDH STM-1/Fast Ethernet**  
**100Base-BX10-U/ITU-T G.985**



### Features

- RoHS compliant
- Compatible with 155 Mbps ATM and SONET OC-3 SDH STM-1
- Industry standard 1×9 footprint
- SC connector
- Single power supply 3.3 V
- Differential PECL inputs and outputs
- Compatible with solder and aqueous wash processes
- Class 1 laser product complies with EN 60825-1

### Ordering Information

PART NUMBER	TX	RX	VOLTAGE	TEMPERATURE
LSB2-A3S-PC-N3	1310 nm	1550 nm	3.3 V	0 °C to 70 °C
LSB2-A3S-PI-N3	1310 nm	1550 nm	3.3 V	-40 °C to 85 °C

### Absolute Maximum Ratings

PARAMETER	SYMBOL	MIN	MAX	UNITS	NOTE
Storage Temperature	$T_S$	-40	85	°C	
Supply Voltage	$V_{CC}$	-0.5	4.0	V	
Input Voltage	$V_{IN}$	-0.5	$V_{CC}$	V	
Output Current	$I_o$	---	50	mA	
Operating Current	$I_{OP}$	---	400	mA	
Soldering Temperature	$T_{SOLD}$	---	260	°C	10 seconds on leads



**RoHS compliant**  
**TX-1310/RX-1550 nm Single-mode, Single-Fiber (Bi-directional)**  
**Transceiver 1×9, SC Simplex Connector, 3.3 V (17dB Margin)**  
**155 Mbps ATM/SONET OC-3/SDH STM-1/Fast Ethernet**  
**100Base-BX10-U/ITU-T G.985**

## Operating Environment

PARAMETER	SYMBOL	MIN	MAX	UNITS	NOTE
Case Operating Temperature (LSB2-A3S-PC-N3)	$T_C$	0	70	°C	
Case Operating Temperature (LSB2-A3S-PI-N3)	$T_C$	-40	85	°C	
Supply Voltage	$V_{CC}$	3.0	3.6	V	
Supply Current	$I_{TX} + I_{RX}$	---	200	mA	

## Transmitter Electro-optical Characteristics

( $V_{CC} = 3.1\text{ V to }3.5\text{ V}$ , LSB2-A3S-PC-N3:  $T_A = 0\text{ °C to }70\text{ °C}$ , LSB2-A3S-PI-N3:  $T_A = -40\text{ °C to }85\text{ °C}$ )

PARAMETER	SYMBOL	MIN	TYP.	MAX	UNITS	NOTE
Data Rate	$B$	50	155	200	Mb/s	
Output Optical Power 9/125 $\mu\text{m}$ fiber	$P_{out}$	-14	---	-8	dBm	Average
Extinction Ratio	$ER$	9	---	---	dB	
Center Wavelength	$\lambda_c$	1260	1310	1360	nm	
Spectral Width (RMS)	$\Delta\lambda$	---	---	4	nm	
Rise/Fall Time (10–90%)	$T_{r,f}$	---	1	2	ns	
Output Eye	Compliant with Telcordia GR-253-CORE Issue 3 and ITU-T recommendation G-957					
Data Input Current-Low	$I_{IL}$	-350	---	---	$\mu\text{A}$	
Data Input Current-High	$I_{IH}$	---	---	350	$\mu\text{A}$	
Transmitter Data Input Voltage-High	$V_{IH} - V_{CC}$	-1.1	---	-0.74	V	Note 1
Transmitter Data Input Voltage-Low	$V_{IL} - V_{CC}$	-2.0	---	-1.58	V	Note 1
Transmitter Data Input Differential Voltage	$V_{DIFF}$	0.3	---	1.6	V	Note 1

Note 1: These inputs are compatible with 10K, 10KH and 100K ECL and PECL input.



RoHS compliant  
 TX-1310/RX-1550 nm Single-mode, Single-Fiber (Bi-directional)  
 Transceiver 1×9, SC Simplex Connector, 3.3 V (17dB Margin)  
 155 Mbps ATM/SONET OC-3/SDH STM-1/Fast Ethernet  
 100Base-BX10-U/ITU-T G.985

### Receiver Electro-optical Characteristics

( $V_{CC} = 3.1 \text{ V to } 3.5 \text{ V}$ , LSB2-A3S-PC-N3:  $T_A = 0^\circ \text{C to } 70^\circ \text{C}$ , LSB2-A3S-PI-N3:  $T_A = -40^\circ \text{C to } 85^\circ \text{C}$ )

PARAMETER	SYMBOL	MIN	TYP.	MAX	UNITS	NOTE
Data Rate	$B$	50	155	200	Mb/s	
Optical Input Power-maximum	$P_{IN}$	0	---	---	dBm	Note 1
Optical Input Power-minimum (Sensitivity)	$P_{IN}$	---	---	-31	dBm	Note 1
Operating Center Wavelength	$\lambda_C$	1480	---	1600	nm	
Return Loss	$RL$	---	---	-14	dB	$\lambda=1480\sim 1600\text{nm}$
Signal Detect-Asserted	$P_A$	---	---	-31	dBm	Average
Signal Detect-Deasserted	$P_D$	-45	---	---	dBm	Average
Signal Detect-Hysteresis	$P_A - P_D$	1.0	---	---	dB	
Signal Detect Output voltage-High	$V_{OH} - V_{CC}$	-1.1	---	-0.74	V	Note 2
Signal Detect Output voltage-Low	$V_{OL} - V_{CC}$	-2.0	---	-1.58	V	Note 2
Crosstalk	$CRT$	---	---	-45	dB	
Data Output Rise, Fall Time (10–90%)	$T_{r,f}$	---	1	2	ns	
Data Output Voltage-High	$V_{OH} - V_{CC}$	-1.1	---	-0.74	V	Note 2
Data Output Voltage-Low	$V_{OL} - V_{CC}$	-2.0	---	-1.58	V	Note 2

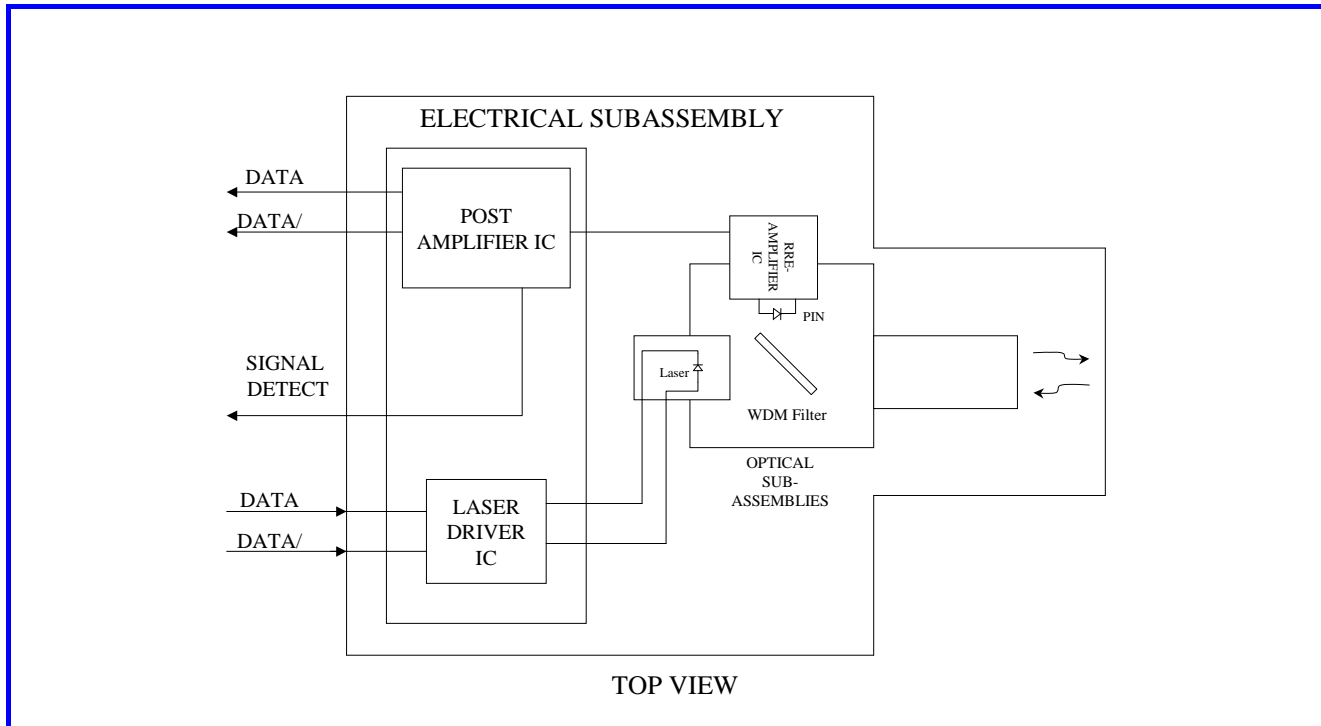
Note 1: The input data is at 155.52 Mbps,  $2^{23} - 1$  PRBS data pattern with 72 “1”s and 72 “0”s inserted per the ITU-T recommendation G.958 Appendix 1. The receiver is guaranteed to provide output data with Bit Error Rate (BER) better than or equal to  $1 \times 10^{-10}$ .

Note 2: These outputs are compatible with 10K, 10KH and 100K ECL and PECL input.



**RoHS compliant**  
**TX-1310/RX-1550 nm Single-mode, Single-Fiber (Bi-directional)**  
**Transceiver 1×9, SC Simplex Connector, 3.3 V (17dB Margin)**  
**155 Mbps ATM/SONET OC-3/SDH STM-1/Fast Ethernet**  
**100Base-BX10-U/ITU-T G.985**

### Block Diagram of Transceiver



### Transmitter and Receiver Optical Sub-assembly Section

A 1310 nm InGaAsP laser and an InGaAs PIN photodiode integrate with an WDM filter to form a bi-directional single fiber optical subassembly (OSA). The laser of OSA is driven by a LD driver IC which converts differential input LVPECL logic signals into an analog laser driving current. And, The photodiode of OSA is connected to a circuit providing post-amplification quantization, and optical signal detection.

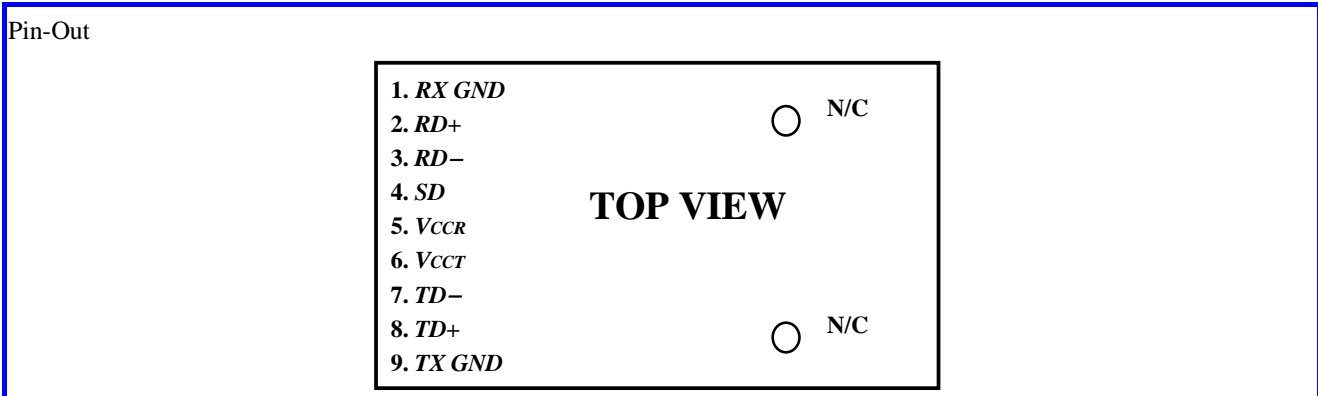
### Receiver Signal Detect

Signal Detect is a basic fiber failure indicator. This is a single-ended LVPECL output. As the input optical power is decreased, Signal Detect will switch from high to low (deassert point) somewhere between sensitivity and the no light input level. As the input optical power is increased from very low levels, Signal Detect will switch back from low to high (assert point). The assert level will be at least 1.0 dB higher than the deassert level.



**RoHS compliant**  
**TX-1310/RX-1550 nm Single-mode, Single-Fiber (Bi-directional)**  
**Transceiver 1×9, SC Simplex Connector, 3.3 V (17dB Margin)**  
**155 Mbps ATM/SONET OC-3/SDH STM-1/Fast Ethernet**  
**100Base-BX10-U/ITU-T G.985**

### Connection Diagram

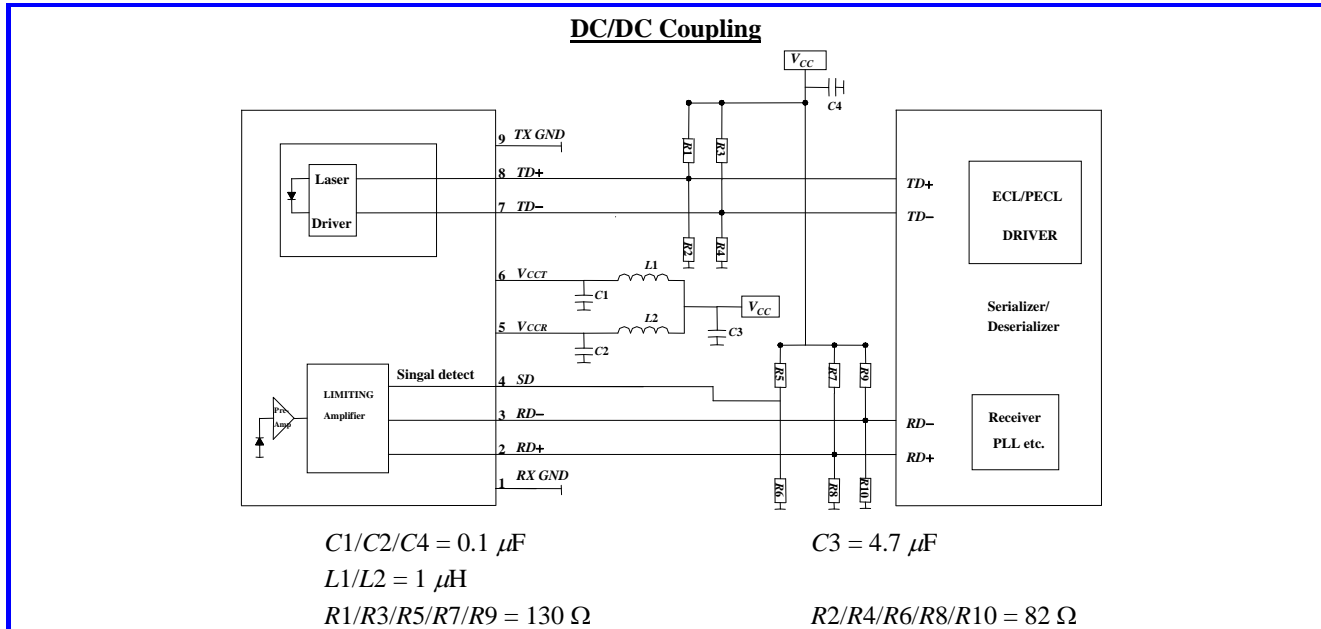


PIN	SYMBOL	DESCRIPTION
1	<i>RX GND</i>	Receiver Signal Ground, Directly connect this pin to the receiver ground plane
2	<i>RD+</i>	<i>RD+</i> is an open-emitter output circuit. Terminate this high-speed differential LVPECL output with standard LVPECL techniques at the follow-on device input pin. (See recommended circuit schematic)
3	<i>RD-</i>	<i>RD-</i> is an open-emitter output circuit. Terminate this high-speed differential LVPECL output with standard LVPECL techniques at the follow-on device input pin. (See recommended circuit schematic)
4	<i>SD</i>	Signal Detect. Normal optical input levels to the receiver result in a logic “1” output, $V_{OH}$ , asserted. Low input optical levels to the receiver result in a fault condition indicated by a logic “0” output $V_{OL}$ , deasserted Signal Detect is a single-ended LVPECL output. <i>SD</i> can be terminated with LVPECL techniques via $50\ \Omega$ to $V_{CCR} - 2\ \text{V}$ . Alternatively, <i>SD</i> can be loaded with a $180\ \Omega$ resistor to <i>RX GND</i> to conserve electrical power with small compromise to signal quality. If Signal Detect output is not used, leave it open-circuited. This Signal Detect output can be used to drive a LVPECL input on an upstream circuit, such as, Signal Detect input or Loss of Signal-bar.
5	$V_{CCR}$	Receiver Power Supply Provide +3.3 Vdc via the recommended receiver power supply filter circuit. Locate the power supply filter circuit as close as possible to the $V_{CCR}$ pin.
6	$V_{CCT}$	Transmitter Power Supply Provide +3.3 Vdc via the recommended transmitter power supply filter circuit. Locate the power supply filter circuit as close as possible to the $V_{CCT}$ pin.
7	<i>TD-</i>	Transmitter Data In-Bar Terminate this high-speed differential LVPECL input with standard LVPECL techniques at the transmitter input pin. (See recommended circuit schematic)
8	<i>TD+</i>	Transmitter Data In Terminate this high-speed differential LVPECL input with standard LVPECL techniques at the transmitter input pin. (See recommended circuit schematic)
9	<i>TX GND</i>	Transmitter Signal Ground Directly connect this pin to the transmitter signal ground plane. Directly connect this pin to the transmitter ground plane.



RoHS compliant  
TX-1310/RX-1550 nm Single-mode, Single-Fiber (Bi-directional)  
Transceiver 1×9, SC Simplex Connector, 3.3 V (17dB Margin)  
155 Mbps ATM/SONET OC-3/SDH STM-1/Fast Ethernet  
100Base-BX10-U/ITU-T G.985

### Recommended Circuit Schematic



In order to get proper functionality, a recommended circuit is provided in above recommended circuit schematic. When designing the circuit interface, there are a few fundamental guidelines to follow.

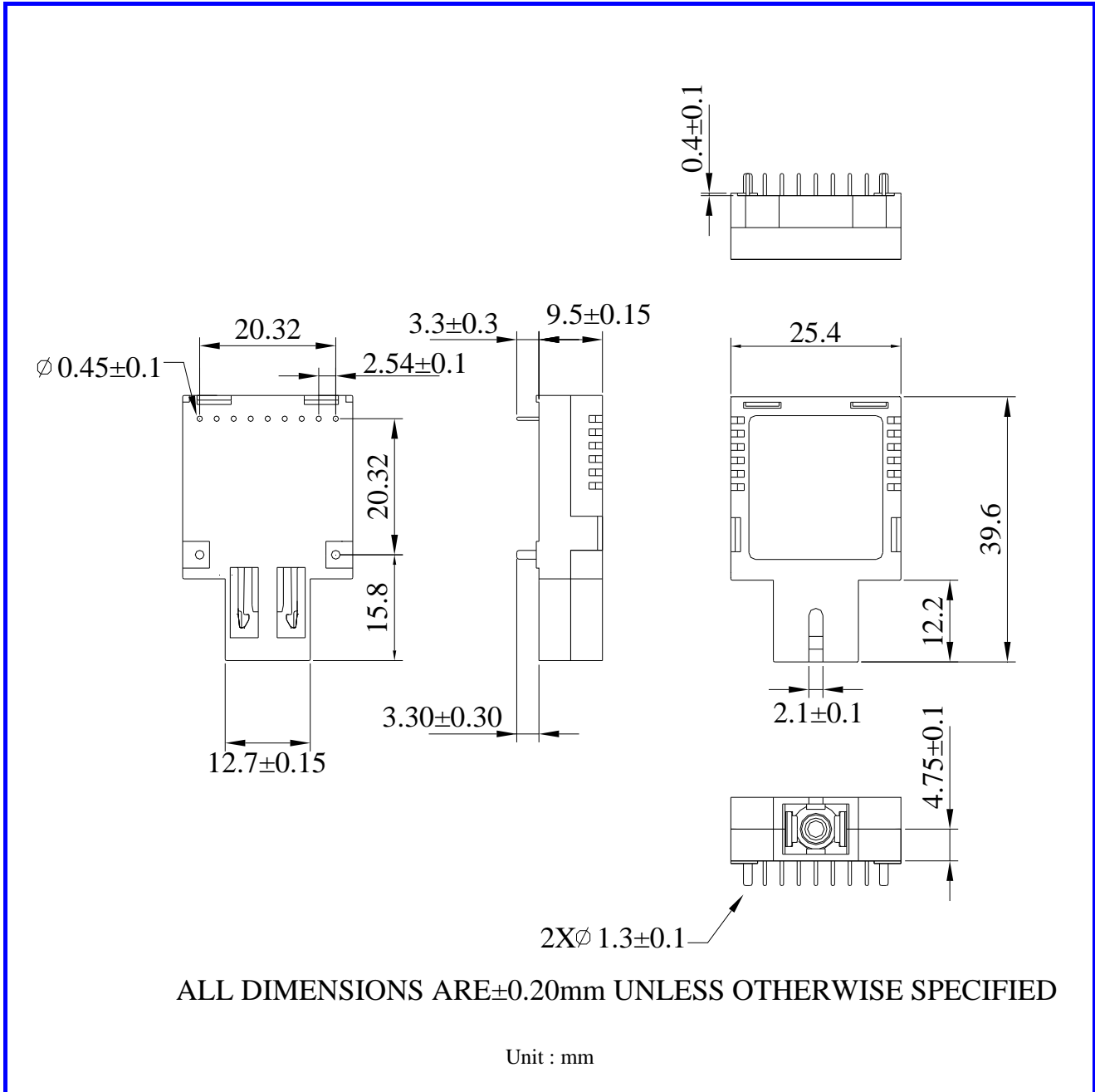
- (1) The differential data lines should be treated as 50 Ω Micro strip or strip line transmission lines. This will help to minimize the parasitic inductance and capacitance effects. Locate termination at the received signal end of the transmission line. The length of these lines should be kept short and of equal length.
- (2) For the high speed signal lines, differential signals should be used, not single-ended signals, and these differential signals need to be loaded symmetrically to prevent unbalanced currents which will cause distortion in the signal.
- (3) Multi layer plane PCB is best for distribution of  $V_{CC}$ , returning ground currents, forming transmission lines and shielding. Also, it is important to suppress noise from influencing the fiber-optic transceiver performance, especially the receiver circuit.
- (4) A separate proper power supply filter circuits shown in Figure for the transmitter and receiver sections. These filter circuits suppress  $V_{CC}$  noise over a broad frequency range, this prevents receiver sensitivity degradation due to  $V_{CC}$  noise.
- (5) Surface-mount components are recommended. Use ceramic bypass capacitors for the 0.1 μF capacitors and a surface-mount coil inductor for 1 μH inductor. Ferrite beads can be used to replace the coil inductors when using quieter  $V_{CC}$  supplies, but a coil inductor is recommended over a ferrite bead. All power supply components need to be placed physically next to the  $V_{CC}$  pins of the receiver and transmitter.
- (6) Use a good, uniform ground plane with a minimum number of holes to provide a low-inductance ground current return for the power supply currents.





RoHS compliant  
TX-1310/RX-1550 nm Single-mode, Single-Fiber (Bi-directional)  
Transceiver 1×9, SC Simplex Connector, 3.3 V (17dB Margin)  
155 Mbps ATM/SONET OC-3/SDH STM-1/Fast Ethernet  
100Base-BX10-U/ITU-T G.985

### Drawing Dimensions




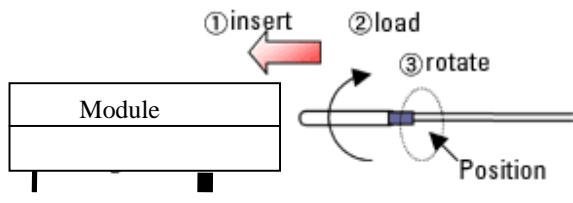




**RoHS compliant**  
**TX-1310/RX-1550 nm Single-mode, Single-Fiber (Bi-directional)**  
**Transceiver 1×9, SC Simplex Connector, 3.3 V (17dB Margin)**  
**155 Mbps ATM/SONET OC-3/SDH STM-1/Fast Ethernet**  
**100Base-BX10-U/ITU-T G.985**

### Optical Receptacle Cleaning Recommendations

All fiber stubs inside the receptacle portions were cleaned before shipment. In the event of contamination of the optical ports, the recommended cleaning process is the use of forced nitrogen. If contamination is thought to have remained, the optical ports can be cleaned using a NTT international Cletop® stick type and HFE7100 cleaning fluid. Before the mating of patchcord, the fiber end should be cleaned up by using Cletop® cleaning cassette.

Cleaning of patchcord	Cleaning of fiber stub
	 <ol style="list-style-type: none"><li>1. Insert Ensure that stick is held straight when inserting into sleeve.</li><li>2. Load Apply sufficient pressure (approx 600-700g) to ensure ferrule a little depressed in sleeve.</li><li>3. Rotate Rotate stick clockwise 4-5 times, while ensuring direct contact with ferrule end-face is maintained.</li></ol> <p><i>Notice: Number of possible wipes: Maintenance (repair) ~1 use / piece Equipment construction: 4 uses / piece (max.)</i></p>

Note: The pictures were extracted from NTT-ME website. And the Cletop® is a trademark registered by NTT-ME



**RoHS compliant**  
**TX-1310/RX-1550 nm Single-mode, Single-Fiber (Bi-directional)**  
**Transceiver 1×9, SC Simplex Connector, 3.3 V (17dB Margin)**  
**155 Mbps ATM/SONET OC-3/SDH STM-1/Fast Ethernet**  
**100Base-BX10-U/ITU-T G.985**

---

### Eye Safety Mark

The LSB series Single mode transceiver is a class 1 laser product. It complies with EN 60825-1 and FDA 21 CFR 1040.10 and 1040.11. In order to meet laser safety requirements the transceiver shall be operated within the Absolute Maximum Ratings.

#### Caution

**All adjustments have been done at the factory before the shipment of the devices. No maintenance and user serviceable part is required. Tampering with and modifying the performance of the device will result in voided product warranty.**

#### Required Mark

Class 1 Laser Product  
Complies with  
21 CFR 1040.10 and 1040.11

Note : All information contained in this document is subject to change without notice.