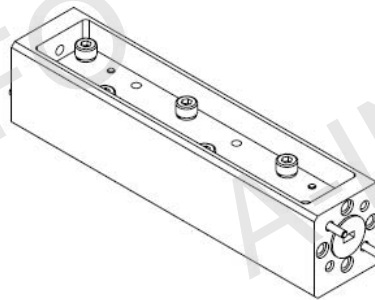
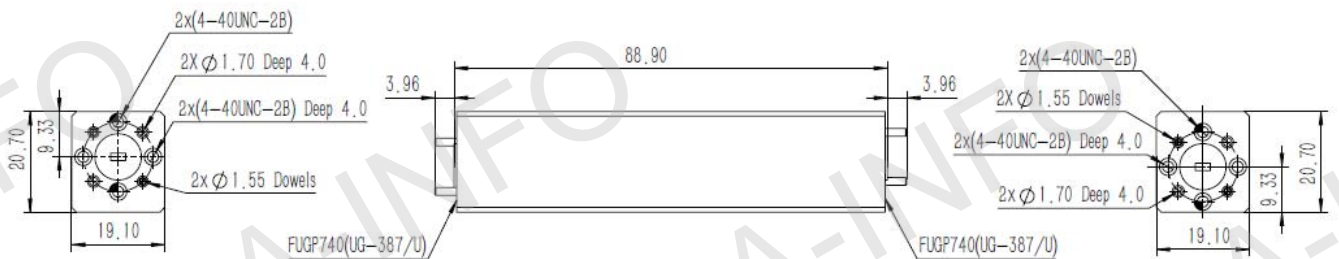


Technical Specification

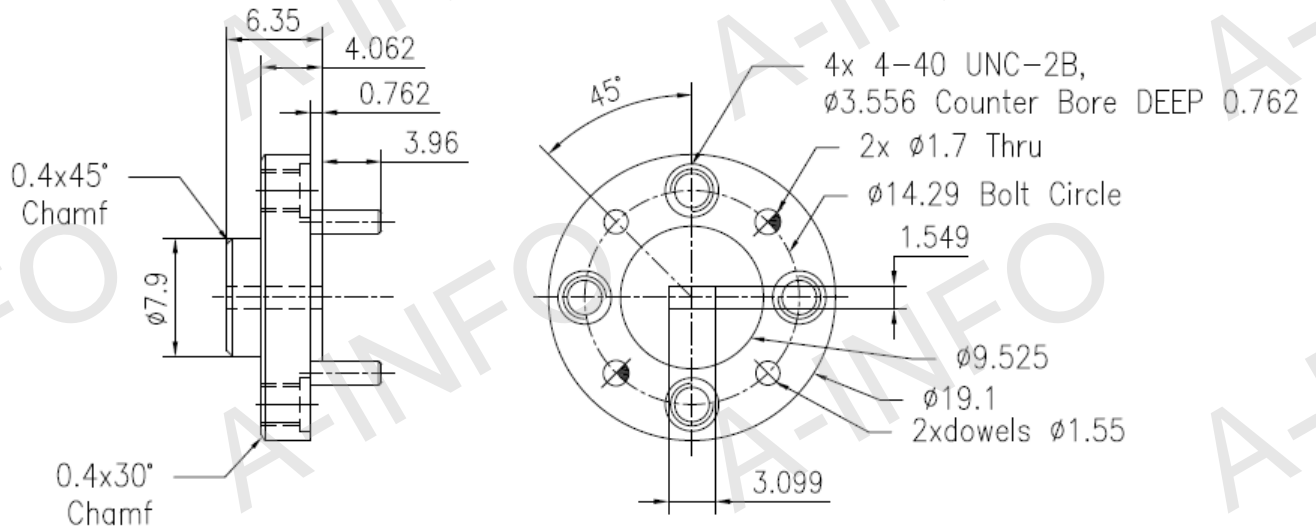


EIA WR	WR12
Frequency Range(GHz)	60.0-90.0
Attenuation(dB)	10
Attenuation Accuracy(dB)	±1.5 Max.
VSWR	1.25:1 Max.
Power Handling(W)	1 CW
Flange	FUGP740(UG-387/U)
Material	Cu
Size(mm)	88.9 x 19.1 x 20.7
Net Weight(Kg)	0.16 Around

Outline Drawing (Size: mm)



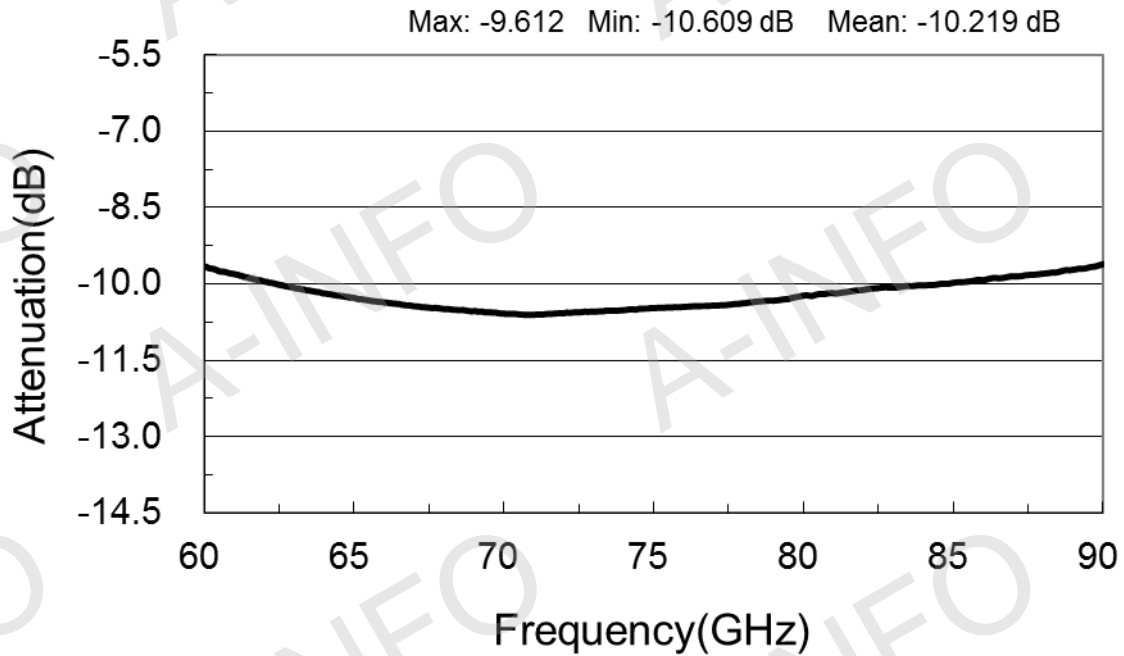
Flange Drawing (Size: mm)



FUGP740
(equivalent to UG-387/U)

Test Results

Attenuation



VSWR

