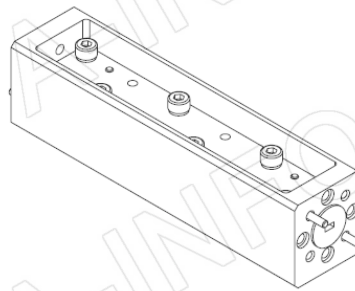
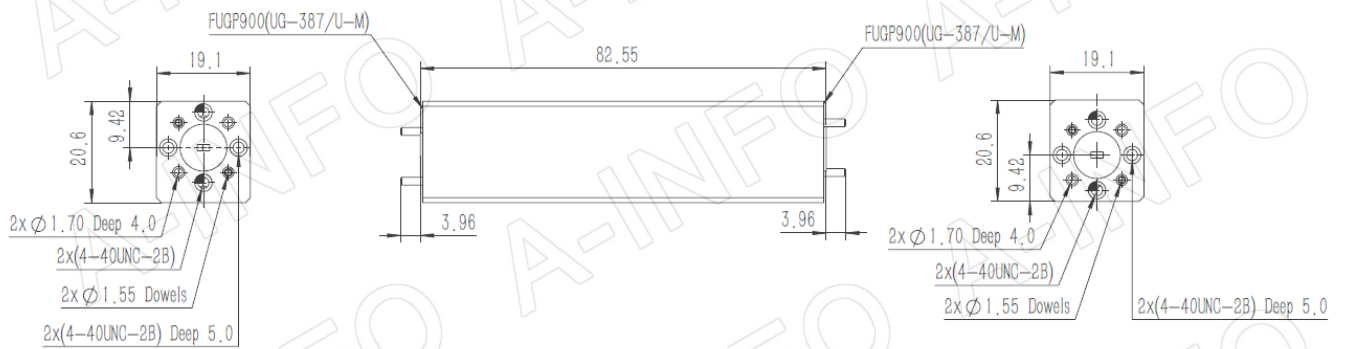


## Technical Specification



EIA WR	WR10
Frequency Range(GHz)	75.0 - 110.0
Attenuation(dB)	10
Attenuation Accuracy(dB)	±2 Max.
VSWR	1.25:1 Max.
Power Handling(W CW)	0.5
Flange	FUGP900(UG-387/U-M)
Material	Cu
Size(mm)	82.55 x 19.1 x 20.6
Net Weight(Kg)	0.14 Around

## Outline Drawing (Size: mm)



AINFO Inc.

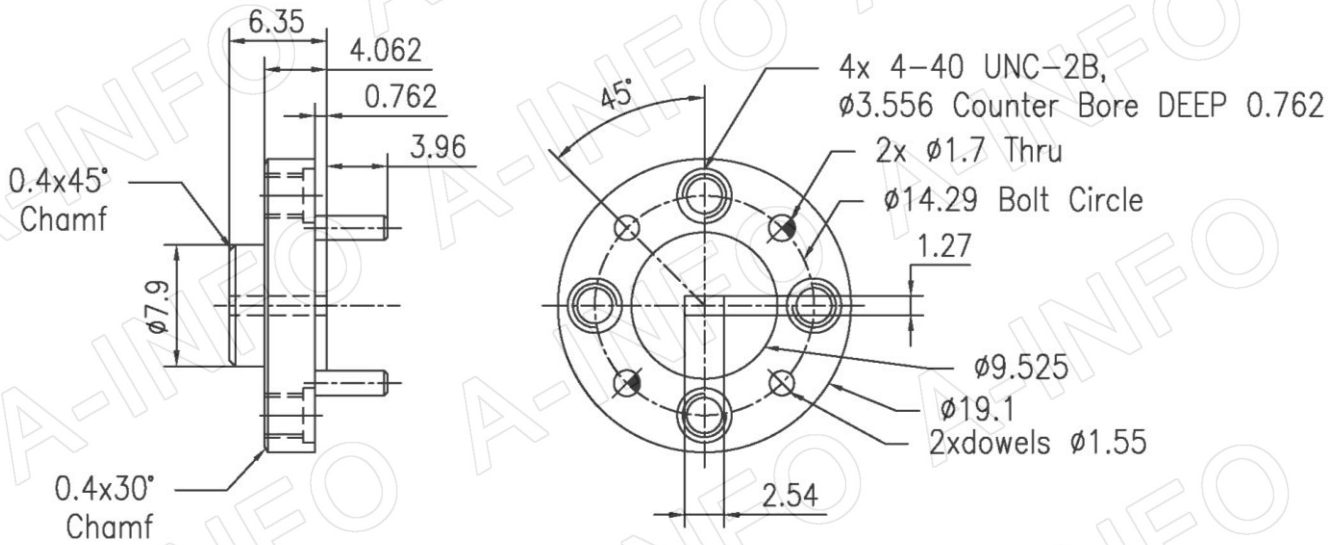
Page 1 of 3

China(Beijing): Tel: (+86) 10-6266-7326,  
China(Chengdu): Tel: (+86) 28-8519-2786,  
USA: Tel: (+1) 949-639-9688,

(+86) 10-6266-7327 Fax: (+86) 10-6266-7379  
(+86) 28-8519-3044 Fax: (+86) 28-8519-3068  
(+1) 949-639-9608 Fax: (+1) 949-639-9670

Website: [www.ainfoinc.com](http://www.ainfoinc.com)  
Email: [sales@ainfoinc.com](mailto:sales@ainfoinc.com)

## Flange Drawing (Size: mm)



FUGP900  
(equivalent to UG-387/U-M)

## Test Results

### Attenuation & VSWR

Trc1 **S11** SWR 250 mU/ Ref 1 U Cal Trc2 **S21** dB Mag 2 dB / Ref -10 dB Cal 1 (Max)  
Trc3 **S21** dB Mag 2 dB / Ref -10 dB Cal Trc4 **S22** SWR 250 mU/ Ref 1 U Cal

