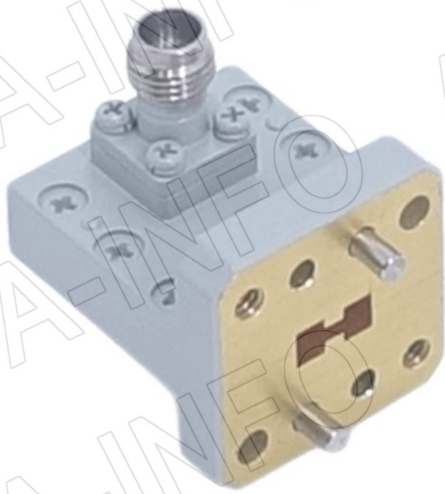


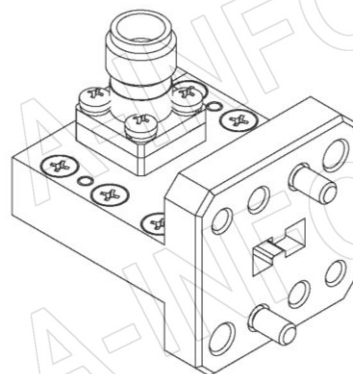
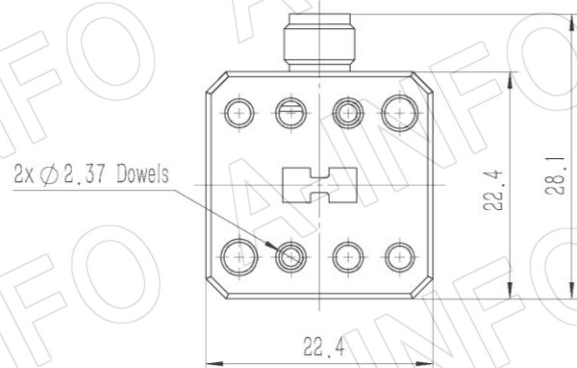
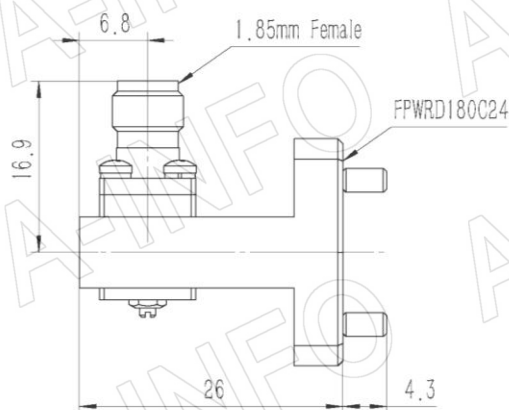
For reference only. See data sheet for the detailed specifications.

Technical Specification



EIA WRD	WRD180
Frequency Range(GHz)	18.0 – 55.0
Insertion Loss(dB)	0.75 Max.
VSWR	1.50:1 Max.
Flange	FPWRD180C24
Connector	1.85mm-Female
Power Handling(W CW)	5 Max.
Peak Power(KW)	0.01
Material	Cu
Size(mm)	26 x 22.4 x 28.1
Net Weight(Kg)	0.05 Around

Outline Drawing (Size: mm)



AINFO Inc.

China(Beijing): Tel: (+86) 10-6266-7326,
 China(Chengdu): Tel: (+86) 28-8519-2786,
 USA: Tel: (+1) 949-639-9688,

Page 1 of 3

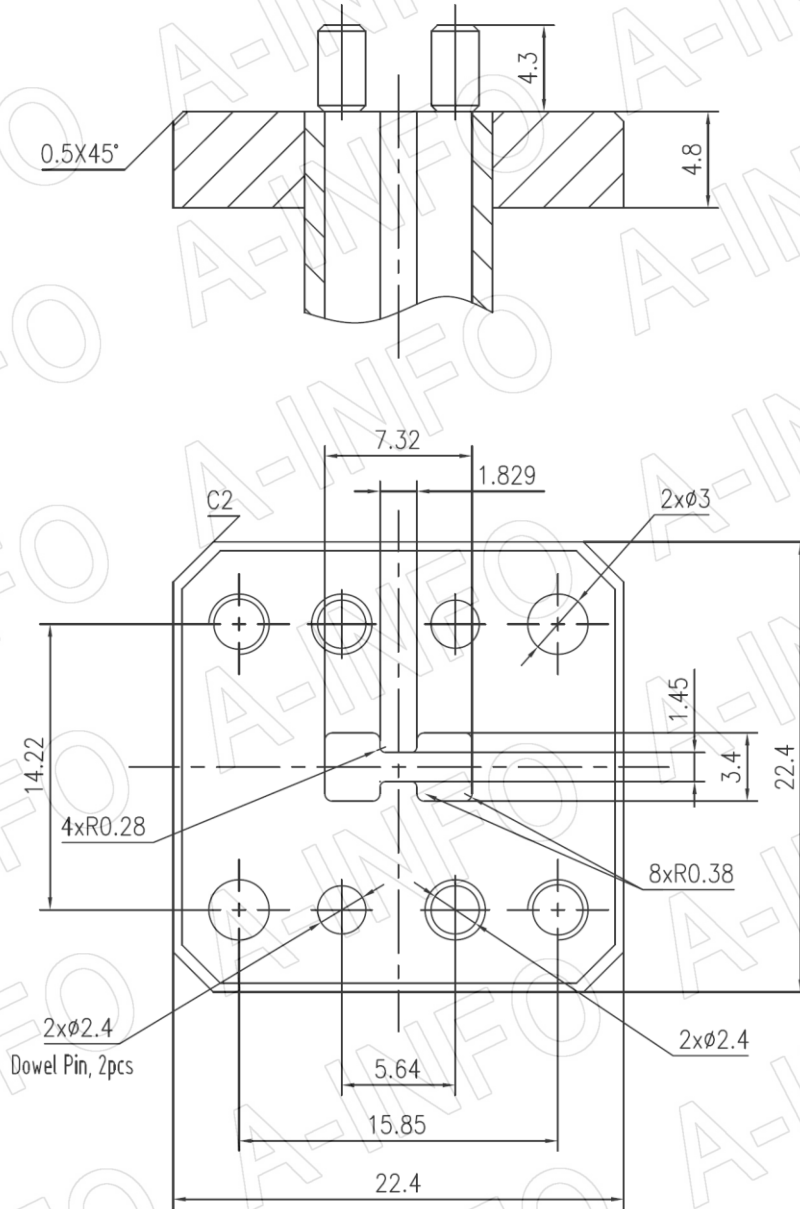
(+86) 10-6266-7327 Fax: (+86) 10-6266-7379
 (+86) 28-8519-3044 Fax: (+86) 28-8519-3068
 (+1) 949-639-9608 Fax: (+1) 949-639-9670

Website: www.ainfoinc.com
 Email: sales@ainfoinc.com

Flange Drawing (Size: mm)

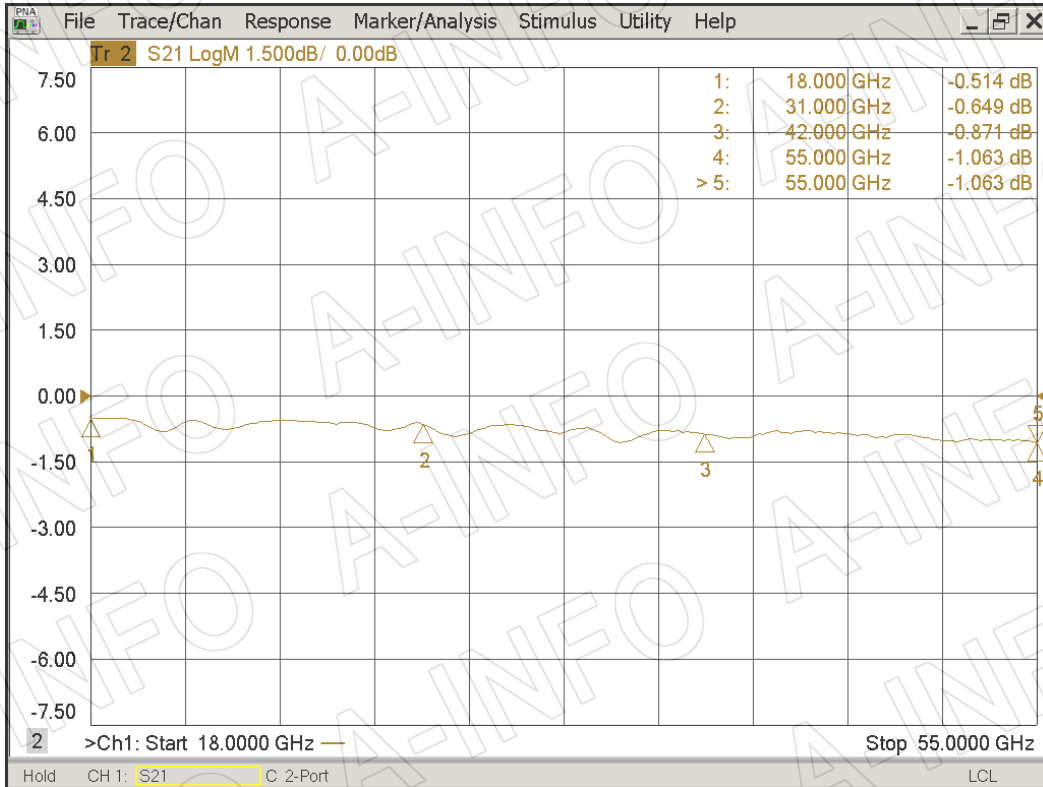
FPWRD180C24

(With two through mounting holes and two screws holes)



Test Results

I. L. (Test with two adapters back to back)



VSWR

