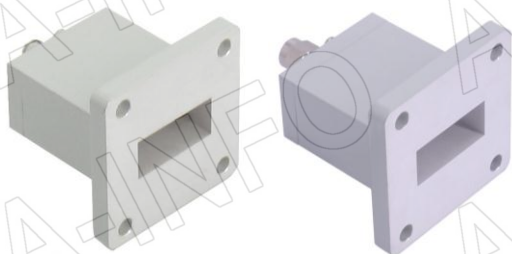


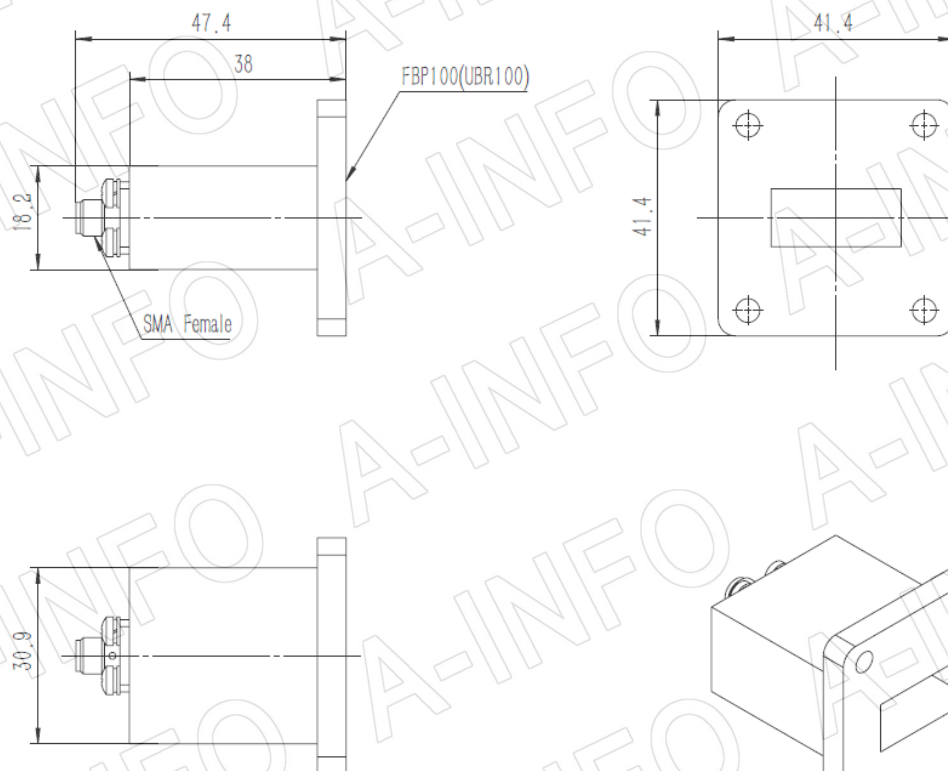
Technical Specification



EIA WR	WR90
Frequency Range(GHz)	8.2 - 12.4
Insertion Loss(dB)	0.25 Max.
VSWR	1.25:1 Max.
Flange	FBP100(UBR100)
Connector	SMA-Female/ SMA-Male
Average Power(W CW)	50 Max.
Peak Power(KW)	3
Material	Al
Size(mm)	47.4 x 41.4 x 41.4
Net Weight(Kg)	0.06 Around

Outline Drawing (Size: mm)

SMA-Female Output (P/N: 90WECAS)



AINFO Inc.

Page 1 of 4

China(Beijing):
China(Chengdu):
USA :

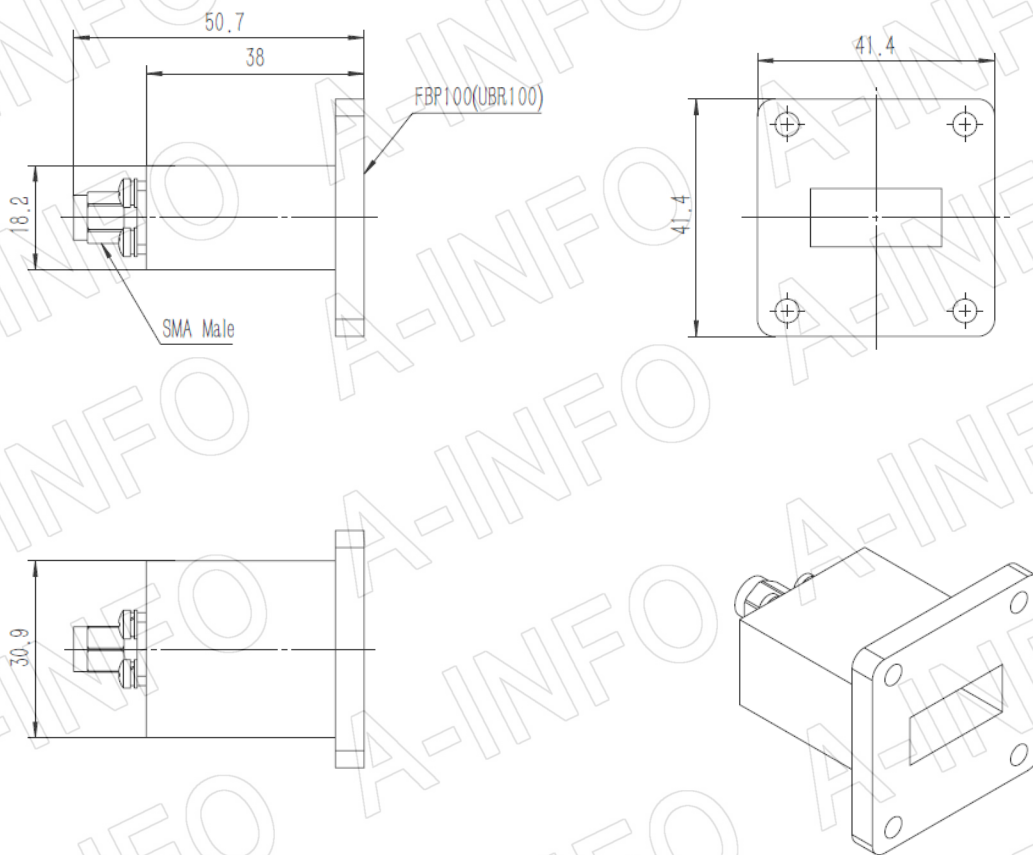
Tel: (+86) 10-6266-7326,
Tel: (+86) 28-8519-2786,
Tel: (+1) 949-639-9688,

(+86) 10-6266-7327
(+86) 28-8519-3044
(+1) 949-639-9608

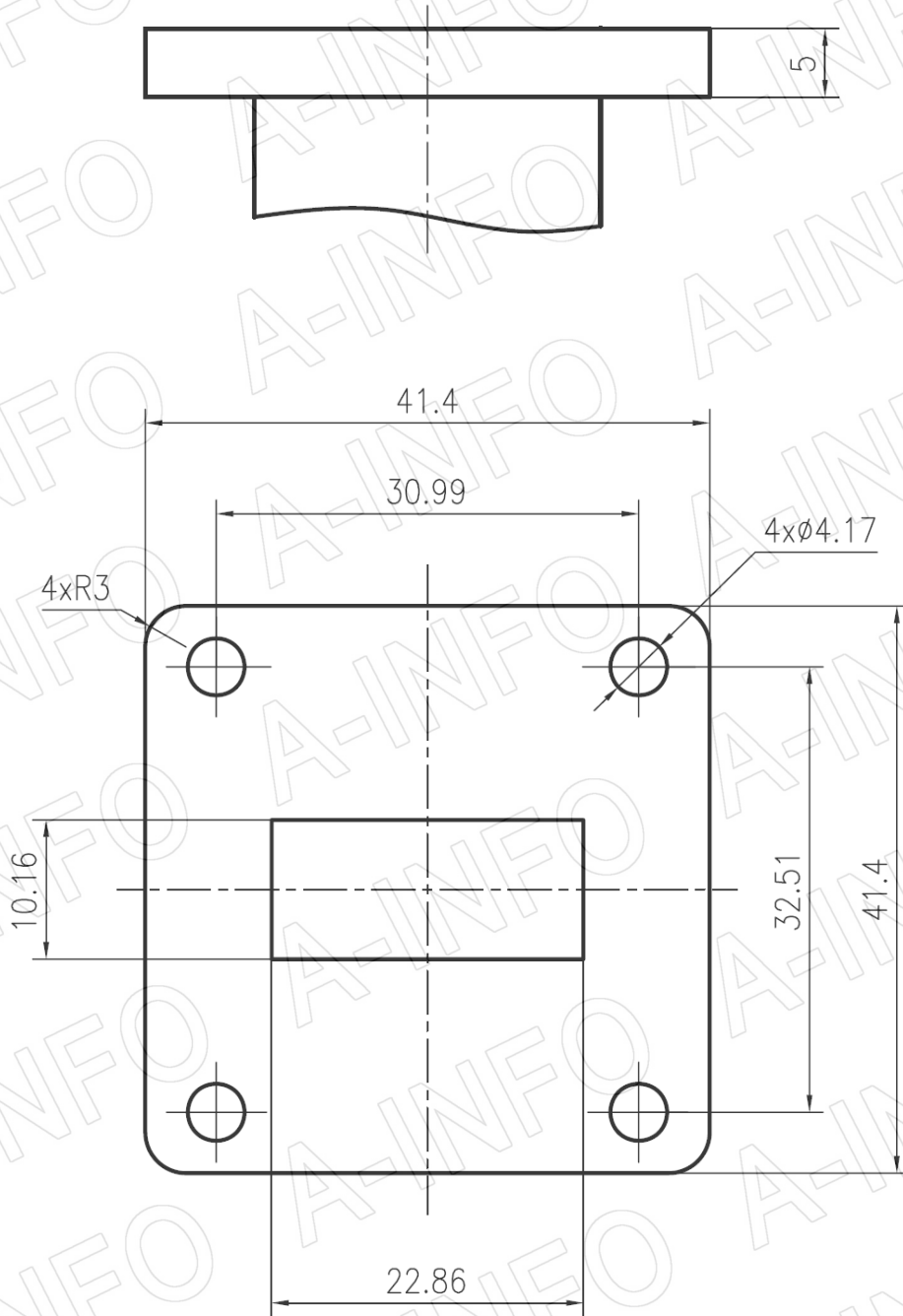
Fax: (+86) 10-6266-7379
Fax: (+86) 28-8519-3068
Fax: (+1) 949-639-9670

Website: www.ainfoinc.com
Email: sales@ainfoinc.com

SMA-Male Output (P/N: 90WECASM)



Flange Drawing (Size: mm)



FBP100

AINFO Inc.

Page 3 of 4

China(Beijing):
China(Chengdu):
USA :

Tel: (+86) 10-6266-7326,
Tel: (+86) 28-8519-2786,
Tel: (+1) 949-639-9688,

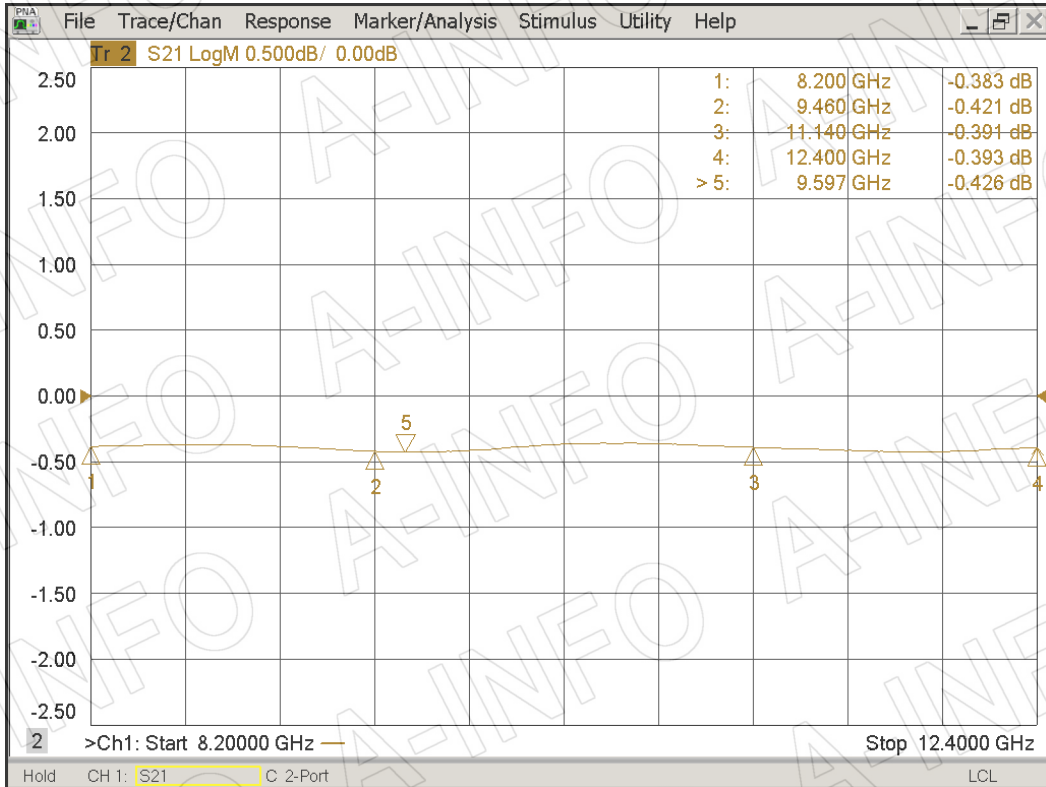
(+86) 10-6266-7327
(+86) 28-8519-3044
(+1) 949-639-9608

Fax: (+86) 10-6266-7379
Fax: (+86) 28-8519-3068
Fax: (+1) 949-639-9670

Website: www.ainfoinc.com
Email: sales@ainfoinc.com

Test Results

I. L. (Test with two adapters back to back)



VSWR

