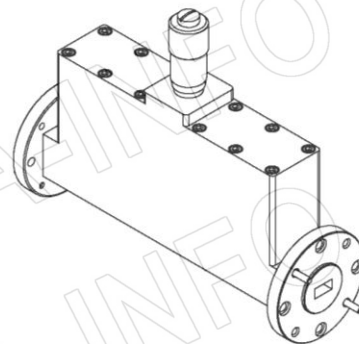
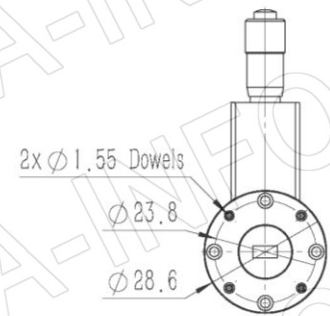
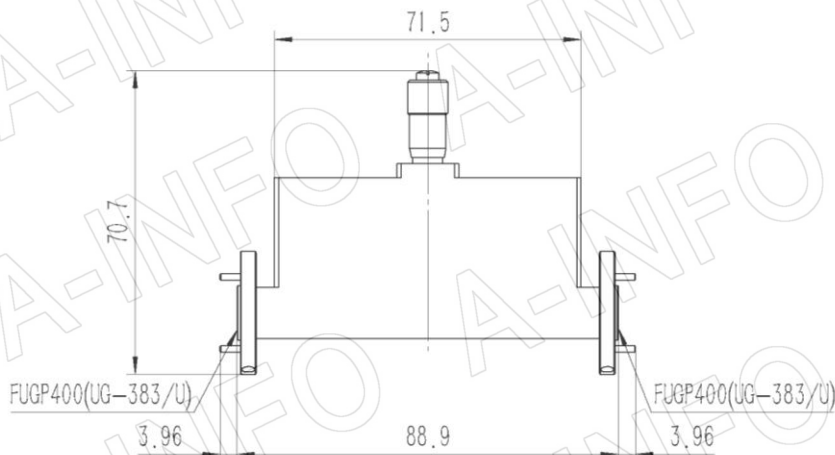


Technical Specification



EIA WR	WR22
Frequency Range(GHz)	33.0 – 50.0
Attenuation(dB)	0 - 30
Insertion Loss(dB)	0.3 Max.
VSWR	1.2:1 Max.
Average Power(W CW)	1
Flange	FUGP400(UG-383/U)
Material	Cu
Size(mm)	88.9 x 28.6 x 70.7
Net Weight(Kg)	0.35 Around

Outline Drawing (Size: mm)



AINFO Inc.

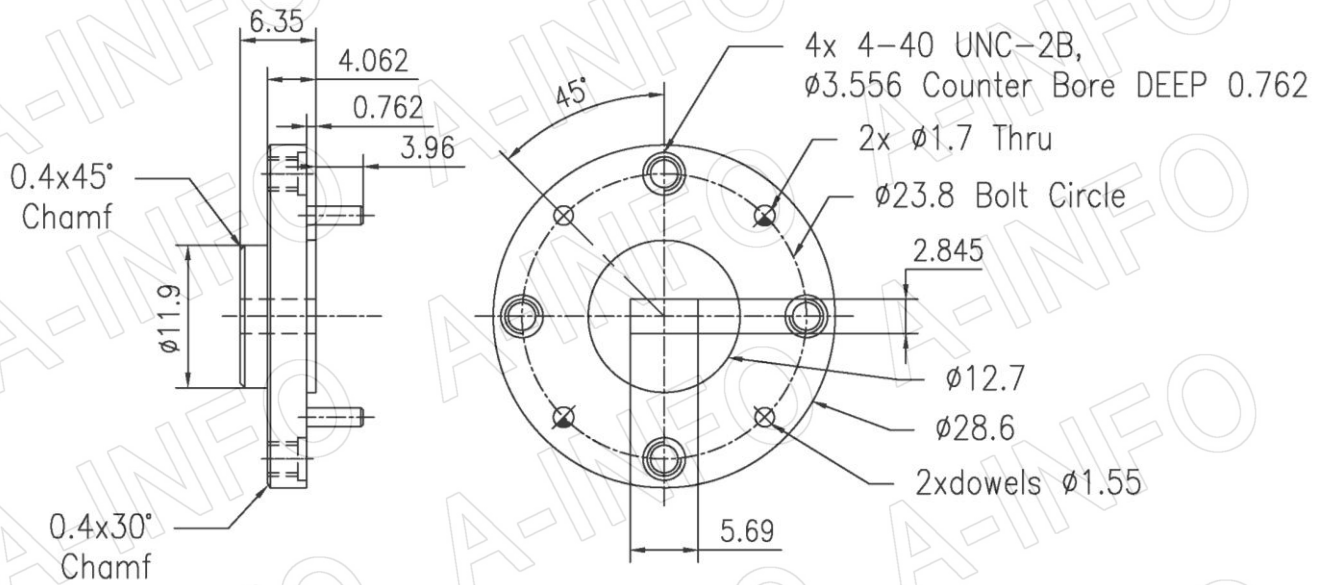
Page 1 of 3

China(Beijing): Tel: (+86) 10-6266-7326,
China(Chengdu): Tel: (+86) 28-8519-2786,
USA: Tel: (+1) 949-639-9688,

(+86) 10-6266-7327 Fax: (+86) 10-6266-7379
(+86) 28-8519-3044 Fax: (+86) 28-8519-3068
(+1) 949-639-9608 Fax: (+1) 949-639-9670

Website: www.ainfoinc.com
Email: sales@ainfoinc.com

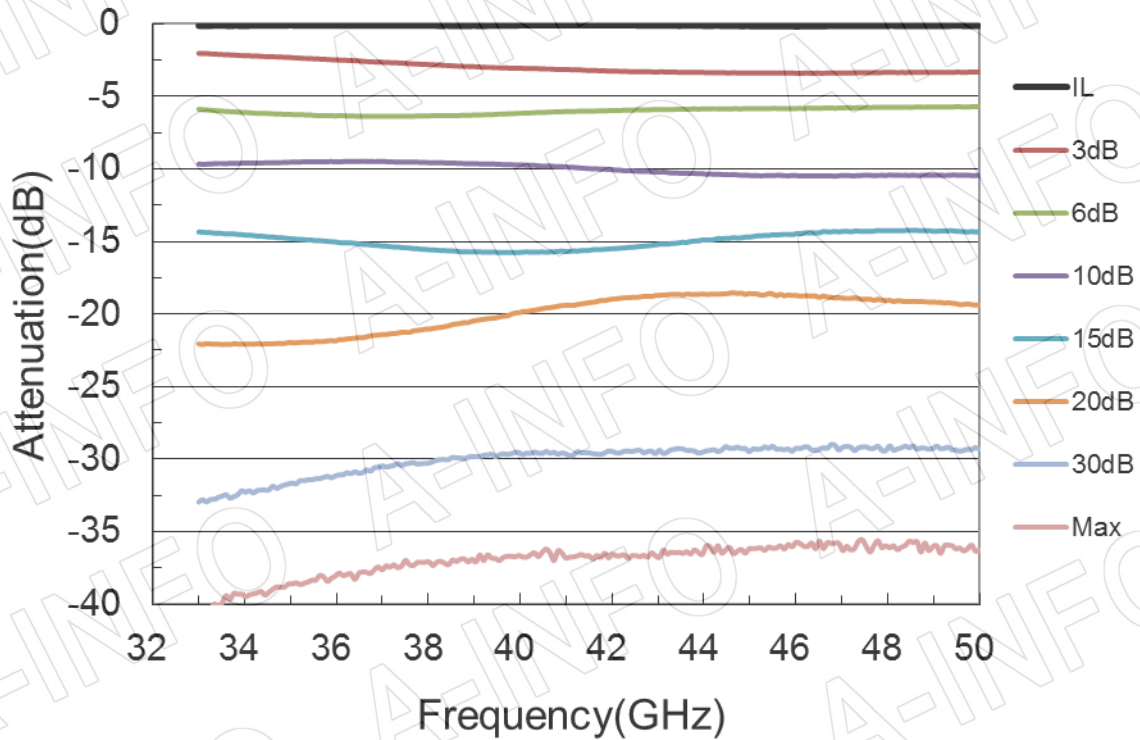
Flange Drawing (Size: mm)



FUGP400
(equivalent to UG-383/U)

Test Results

Attenuation



I.L. & VSWR

