

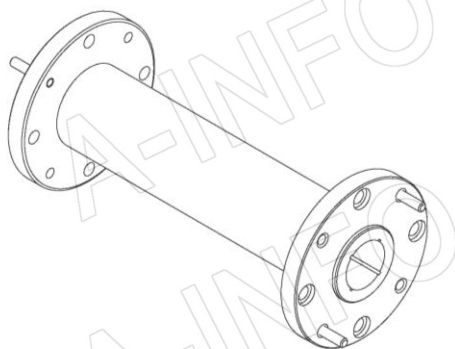
For reference only. See data sheet for the detailed specifications.

Technical Specification



Frequency Range(GHz)	23.5 – 43.5
Circular WG Dia.(mm)	8.331
Polarization	RHCP
Axial Ratio(dB)	3.0 Typ.
	4.0 Max.
VSWR	1.20:1 Max.
Flange	UG-381/U-M
Material	Cu
Size(mm)	63.5 x 28.6 x 28.6
Net Weight(Kg)	0.08 Around

Outline Drawing (Size: mm)



AINFO Inc.

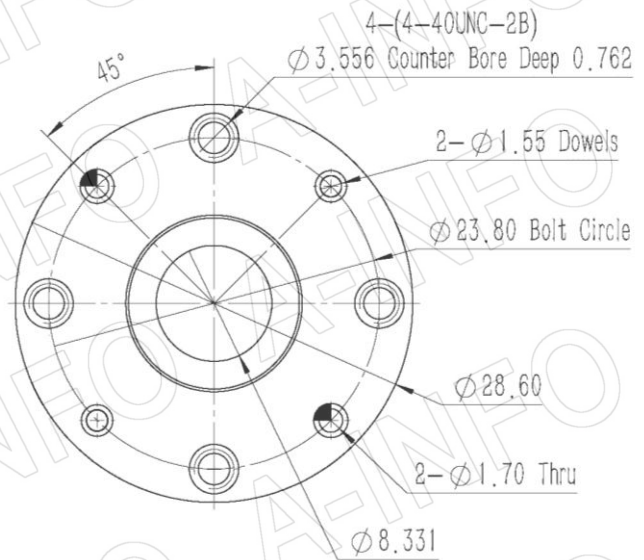
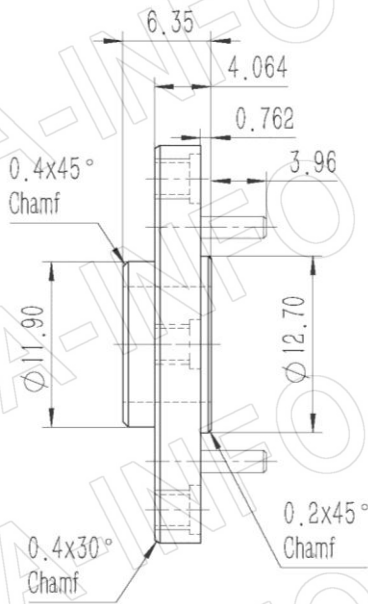
Page 1 of 3

China(Beijing): Tel: (+86) 10-6266-7326,
China(Chengdu): Tel: (+86) 28-8519-2786,
USA : Tel: (+1) 949-639-9688,

(+86) 10-6266-7327 Fax: (+86) 10-6266-7379
(+86) 28-8519-3044 Fax: (+86) 28-8519-3068
(+1) 949-639-9608 Fax: (+1) 949-639-9670

Website: www.ainfoinc.com
Email: sales@ainfoinc.com

Flange Outline Drawing (Size: mm)

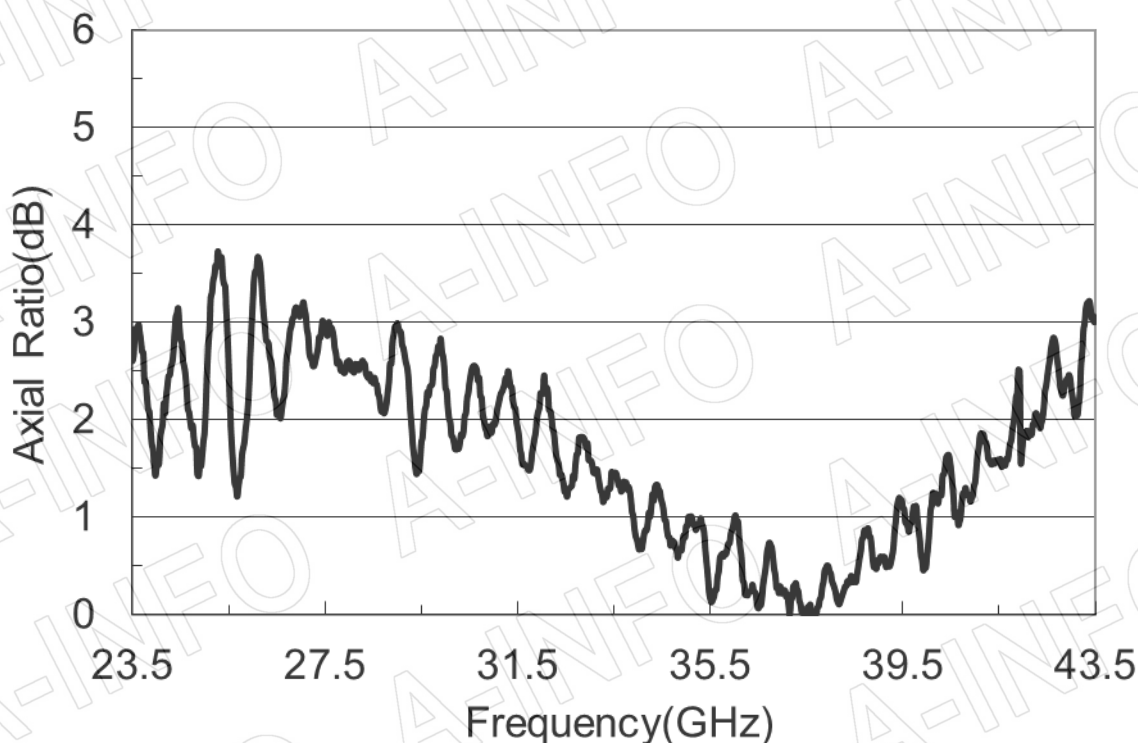


UG-381/U-M

Test Results

Axial Ratio

Max: 3.731



VSWR

