



TE0728 TRM

Revision v.366

Exported on 2019-04-30

Online version of this document:

<https://wiki.trenz-electronic.de/display/PD/TE0728+TRM>

1 Table of Contents

1	Table of Contents.....	2
2	Table of Figures.....	4
3	Table of Tables.....	5
4	Overview.....	7
4.1	Key Features.....	7
4.2	Block Diagram.....	7
4.3	Main Components.....	8
4.4	Initial Delivery State.....	9
4.5	Configuration Signals.....	9
5	Signals, Interfaces and Pins.....	11
5.1	Board to Board (B2B) I/Os.....	11
5.2	Ethernet PHY.....	11
5.3	CAN PHY.....	12
5.4	JTAG Interface.....	12
5.5	MIO Pins.....	12
6	On-board Peripherals.....	14
6.1	Quad SPI Flash Memory.....	14
6.2	RTC.....	15
6.3	EEPROM.....	15
6.4	LEDs.....	15
6.5	DDR3 SDRAM.....	15
6.6	Ethernet.....	16
6.7	CAN Transceiver.....	16
6.8	Oscillators.....	17
7	Power and Power-On Sequence.....	18
7.1	Power Supply.....	18
7.2	Power Consumption.....	18
7.3	Power Distribution Dependencies.....	18
7.4	Power on Sequence.....	18
7.5	Voltage Monitor Circuit.....	19
7.6	Power Rails.....	20
7.7	Bank Voltages.....	20
8	Board to Board Connectors.....	21
8.1	Connector Mating height.....	21
8.2	Connector Speed Ratings.....	21

8.3	Current Rating.....	22
8.4	Connector Mechanical Ratings.....	22
8.5	Manufacturer Documentation.....	22
9	Technical Specifications.....	23
9.1	Absolute Maximum Ratings.....	23
9.2	Recommended Operating Conditionse.....	23
9.3	Physical Dimensions.....	23
10	Currently Offered Variants.....	25
11	Revision History.....	26
11.1	Hardware Revision History.....	26
11.2	Document Change History.....	26
12	Disclaimer.....	27
12.1	Data privacy.....	27
12.2	Document Warranty.....	27
12.3	Limitation of Liability.....	27
12.4	Copyright Notice.....	27
12.5	Technology Licenses.....	27
12.6	Environmental Protection.....	27
12.7	REACH, RoHS and WEEE.....	27

2 Table of Figures

Figure 1: TE0728 block diagram	8
Figure 2: TE0728 main components	8
Figure 3: Power Dependencies	18
Figure 4: Power On Sequence	19
Figure 5: Voltage Monitor Circuit	19
Figure 6: Physical Dimension	24

3 Table of Tables

Table 1: Initial delivery state of programmable devices on the module.....	9
Table 2: Boot process.....	9
Table 3: Reset process.	9
Table 4: General PL I/O to B2B connectors information	11
Table 5: Ethernet PHY B2B connectors.	11
Table 6: CAN B2B connectors.	12
Table 7: JTAG pins connection	12
Table 8: MIOs pins	12
Table 9: On board peripherals.....	14
Table 10: Quad SPI interface MIOs and pins.....	14
Table 11: I2C Address for RTC.....	15
Table 12: I2C address for EEPROM	15
Table 13: On-board LEDs	15
Table 14: Ethernet PHY to Zynq SoC connections.....	16
Table 15: CAN Tranciever interface MIOs.....	17
Table 16: Osillators	17
Table 17: Power Consumption	18
Table 18: Module power rails.....	20
Table 19: Zynq SoC bank voltages.	20
Table 20: Connector specifications.	21
Table 21: Connectors.	21
Table 22: Speed rating.	21
Table 23: Absolute maximum ratings	23
Table 24: Recommended operating conditions	23
Table 25: Trenz Electronic Shop Overview	25
Table 26: Hardware Revision History.....	26
Table 27: Document change history.	26

4 Overview

Trenz Electronic TE0728 is an automotive-grade FPGA module integrating an Automotive Xilinx Zynq-7 FPGA, two Ethernet transceivers (PHY), DDR3 SDRAM, QSPI Flash memory for configuration and operation, and powerful switching-mode power supplies for all on-board voltages. Numerous configurable I/Os are provided via rugged high-speed strips.

Within the complete module only Automotive components are installed.

All this in a compact 6 x 6 cm form factor, at the most competitive price.

Refer to <http://trenz.org/te0728-info> for the current online version of this manual and other available documentation.

4.1 Key Features

- Xilinx XC7Z020-1CLG484Q (Automotive) [XA7Z014S is available on other assembly options]
 - Package: CL/CLG484
 - Speed Grade: -1
 - Temperature Grade: Expanded (-40 to +128 °C)
- Dual-Core ARM Cortex-A9 MPCore
- DDR3 SDRAM, up to 512MB, up to 1066 Mb/s, connected to PS [different size is available on other assembly options]
- QSPI Flash memory (with XiP support) [different size is available on other assembly options]
- Programmable SIT8918A, PS clock generator
- 2 Kbit serial EEPROM
- Three user LEDs
- CAN transceiver (PHY)
- Temperature compensated RTC (real-time clock)
- 2 x 100 MBit Ethernet transceiver (PHY)
- Board to Board (B2B)
 - Plug-on module with 3 x 80-pin Samtec Micro Tiger Eye(TM) high-speed connectors
- I/O Interface
 - 42x MIO
 - 200x HR
 - 128x PS IO
 - 0x GTP Transceiver
 - 0x GTX Transceiver
- Power Supply
 - 12 V power supply with watchdog
- Others:
 - Dimensions: 6 x 6 cm
 - Rugged for shock and high vibration
 - On-board high-efficiency DC-DC converters
 - System management and power sequencing
 - eFUSE bit-stream encryption
 - AES bit-stream encryption
 - Evenly-spread supply pins for good signal integrity

4.2 Block Diagram

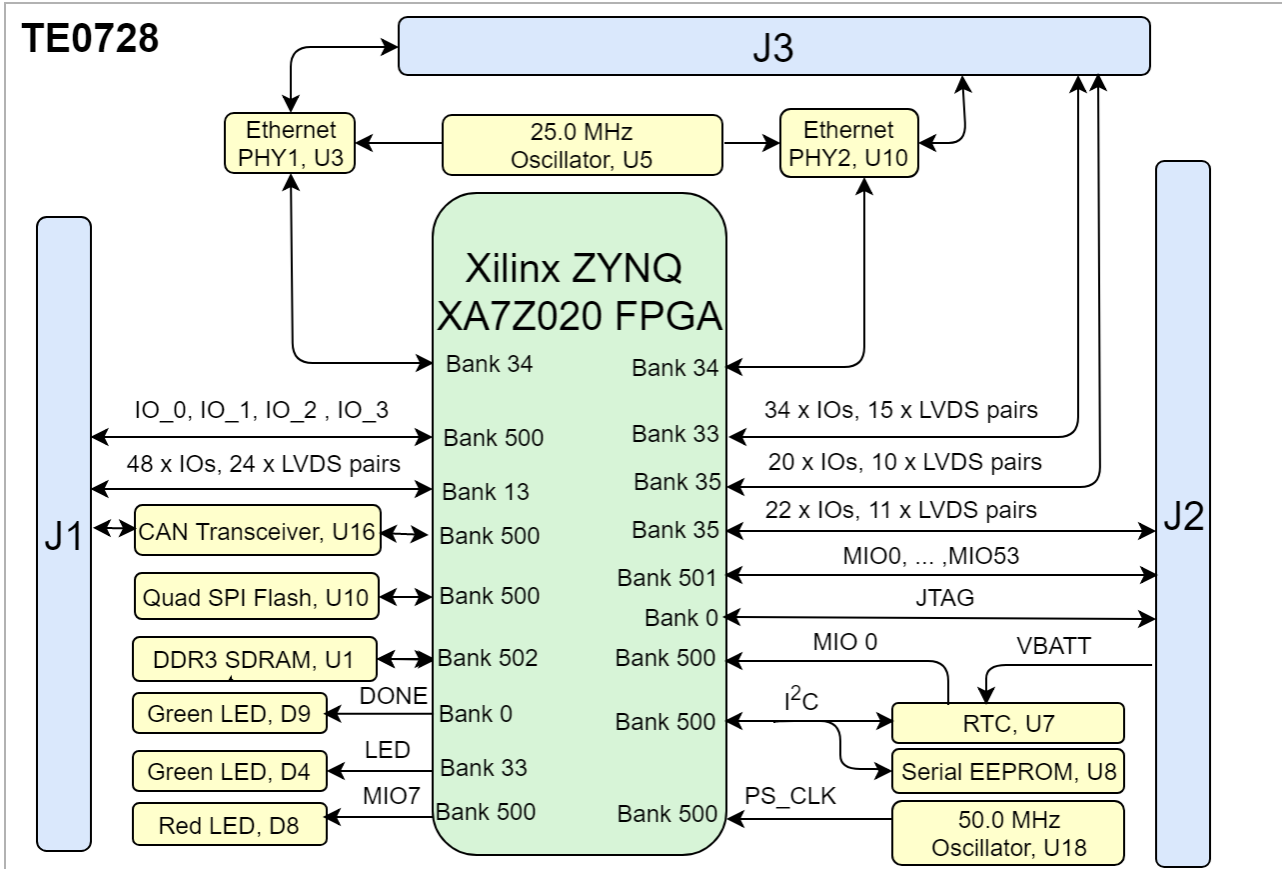


Figure 1: TE0728 block diagram

4.3 Main Components

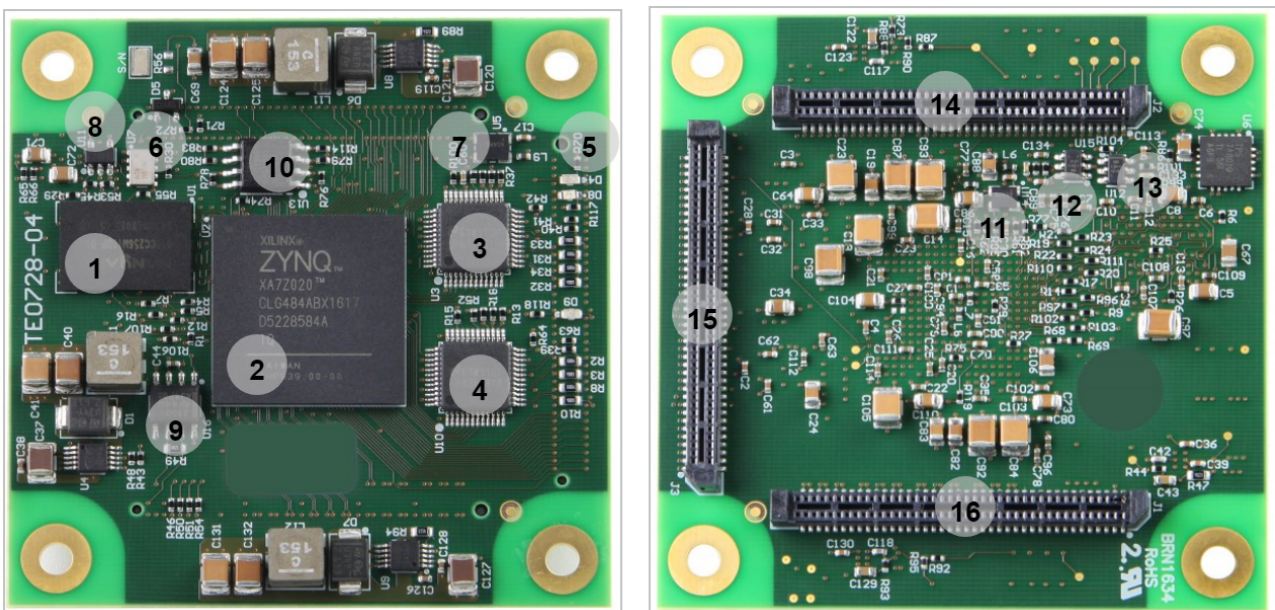


Figure 2: TE0728 main components

1. DDR3 SDRAM, U1
2. Xilinx Automotive XA7Z020-1CLG484Q ,U2
3. 100 MBit Ethernet transceiver, U3
4. 100 MBit Ethernet transceiver, U10
5. User LED Green, D4
6. Real Time Clock, U7
7. Standard Clock Oscillators, U5
8. 64 Kbit I2C EEPROM, U11
9. CAN Transceiver, U16
10. QSPI NOR Flash memory, U13
11. Standard Clock Oscillators, U14
12. Low-Quiescent-Current Programmable Delay Supervisory Circuit, U15
13. Low-Quiescent-Current Programmable Delay Supervisory Circuit, U12
14. B2B connector , JM2
15. B2B connector , JM3
16. B2B connector , JM1

FPGA (U2), DDR3 SDRAM (U1) and QSPI (U13) can be varied on other assembly option, for more information contact us.

4.4 Initial Delivery State

Storage Device	Symbol	Content
Quad SPI Flash	U13	Not Programmed
EEPROM	U11	Not Programmed

Table 1: Initial delivery state of programmable devices on the module

4.5 Configuration Signals

Signal	FPGA Bank	Pin	B2B	Signal State	Boot Mode
Boot_R	500	E4	J2-11	Low	QSPI
				High	SD Card

Table 2: Boot process.

Signal	B2B	I/O	Note
Reset	J2-7	Input	Comes from Carrier

Signal	B2B	I/O	Note
RST_OUT	J2-9	Output	PS_PROB_B

Table 3: Reset process.

5 Signals, Interfaces and Pins

5.1 Board to Board (B2B) I/Os

TE0728 Module has 3 B2B connectors and every connector has 80 pins (2 row, 40 pins).

FPGA bank number and number of I/O signals connected to the B2B connector:

FPGA Bank	Type	B2B Connector	I/O Signal Count	Voltage Level	Notes
13	HR	J1	48 Single ended (24 Diff)	VCCO_13	variable from carrier
500	MIO	J1	4 Singel ended	3.3V	
501	MIO	J2	38 Singel ended	VMIO1	variable from carrier
33	HR	J3	34 Single ended (17 Diff)	3.3V	
35	HR	J3 J2	20 Single ended (10 Diff) 22 Single ended (11 Diff)	3.3V	

Table 4: General PL I/O to B2B connectors information

5.2 Ethernet PHY

Ethernet pins connections to Board to Board (B2B). Ethernet components ETH1 and ETH2 are connected to B2B connector J3.

Schematic	ETH1	ETH2	Direction	Notes
CTREF	J3-57	J3-25	In	Magnetics center tap voltage
TD+	J3-58	J3-28	Out	Transfer
TD-	J3-56	J3-26	Out	
RD+	J3-52	J3-22	In	Receive
RD-	J3-50	J3-20	In	
LED1	J3-55	J3-23	Out	LED Yellow on carrier, multiple usage-ACK

Schematic	ETH1	ETH2	Direction	Notes
LED2	J3-53	J3-21	Out	
LED3	J3-51	J3-19	Out	LED Green on carrier, multiple usage-Link
POWERDOWN/INT	L21	R20	In	
RESET_N	M15	R16	In	Active low PHY Reset

Table 5: Ethernet PHY B2B connectors.

5.3 CAN PHY

CAN pins connections to Board to Board (B2B).

Schematic	B2B	Direction	Notes
CANH/CANL	J1-2/J1-4	Inout/Inout	

Table 6: CAN B2B connectors.

5.4 JTAG Interface

JTAG access to the Xilinx XA7Z020 FPGA through B2B connector JM2.

JTAG Signal	B2B Pin
TMS	J2-12
TDI	J2-10
TDO	J2-8
TCK	J2-6

Table 7: JTAG pins connection

5.5 MIO Pins

MIO Pin	Connected to	B2B	Notes
MIO0	MIO0	-	RTC interrupt
MIO1...MIO6	SPI_CS , SPI_DQ0... SPI_DQ3 SPI_SCK	-	SPI Flash

MIO Pin	Connected to	B2B	Notes
MIO7	LED RED	-	LED
MIO8/MIO9	Tx/Rx	-	CAN Transceiver
MIO10...MIO13	IO_0 ... IO_3	J1	GPIO
MIO14/MIO15	SCL/SDA	-	I2C
MIO16...MIO39	-	J2	GPIO
MIO40...MIO48	CLK, Cmd, Data0...Data3, wp, cd	J2	SD
MIO48	PS_MIO48_501	J2	LED Red on Carrier
MIO49	PS_MIO49_501	J2	LED Yellow on Carrier
MIO50	PS_MIO49_501	J2	LED Green on Carrier
MIO51	PS_MIO51_501	J2	GPIO
MIO52/MIO53	UART_Txd / UART_Rxd	J2	UART transfer/recieve

Table 8: MIOs pins

6 On-board Peripherals

Chip/Interface	Designator	Notes
QSPI Flash(see page 14)	U13	---
EEPROM ¹	U11	EEPROM
RTC ²	U7	Real Time Clock
DDR3 SDRAM ³	U1	Volatile Memory
Ethernet ⁴	U3, U10	Two 100 Mbit Ethernet PHY
CAN Transceiver ⁵	U16	---
User LED ⁶	D4	Green LED
Oscillators ⁷	U14, U7, U5	Clock Sources

Table 9: On board peripherals

6.1 Quad SPI Flash Memory

On-board QSPI flash memory is used to store initial FPGA configuration. Besides FPGA configuration, remaining free flash memory can be used for user application and data storage. All four SPI data lines are connected to the FPGA allowing x1, x2 or x4 data bus widths. Maximum data rate depends on the selected bus width and clock frequency.

Quad SPI Flash (U7) is connected to the Zynq PS QSPI0 interface via PS MIO bank 500.

MIO Pin	Schematic	Notes
MIO1	SPI_CS	
MIO2	SPI_DQ0/M0	
MIO3	SPI_DQ1/M1	
MIO4	SPI_DQ2/M2	
MIO5	SPI_DQ3/M3	

1 <https://wiki.trenz-electronic.de/display/DRAFT/TE0728+TRM#TE0728TRM-EEPROM>

2 <https://wiki.trenz-electronic.de/display/DRAFT/TE0728+TRM#TE0728TRM-RTC>

3 <https://wiki.trenz-electronic.de/display/DRAFT/TE0728+TRM#TE0728TRM-DDR3SDRAM>

4 <https://wiki.trenz-electronic.de/display/DRAFT/TE0728+TRM#TE0728TRM-EthernetPHY>

5 <https://wiki.trenz-electronic.de/display/DRAFT/TE0728+TRM#TE0728TRM-CANTransceiver>

6 <https://wiki.trenz-electronic.de/display/DRAFT/TE0728+TRM#TE0728TRM-LEDs>

7 <https://wiki.trenz-electronic.de/display/DRAFT/TE0728+TRM#TE0728TRM-Oscillators>

MIO Pin	Schematic	Notes
MIO6	SPI_SCK/M4	

Table 10: Quad SPI interface MIOs and pins

6.2 RTC

The RTC has an I²C Bus (2-wire SerialInterface) and offers temperature compensated time. The STC-Smart Temperature Compensation is calibrated in the factory and leads to a very high time-accuracy.

RTC interrupt is connected to MIO0 connected to Bank 500 through pin G6.

MIO Pin	I2C Address	Designator	Notes
MIO14...15	0x56	U7	Slave address

Table 11: I2C Address for RTC

6.3 EEPROM

The Microchip Technology Inc. 24xx64 is a 64 Kbit Electrically Erasable PROM. The device is organized as a single block of 8K x 8-bit memory with a 2-wire serial interface. The 24xx64 also has a page write capability for up to 32 bytes of data. Functional address lines allow up to eight devices on the same bus, for up to 512 Kbits address space.

MIO Pin	I2C Address	Designator	Notes
MIO14...15	0x50	U11	Slave address

Table 12: I2C address for EEPROM

6.4 LEDs

Designator	Color	Connected to	Active Level
D9	Green	DONE	Low
D8	RED	MIO7	High
D4	Green	Bank 33 - V18	High

Table 13: On-board LEDs

6.5 DDR3 SDRAM

The TE0728 SoM has a volatile DDR3 SDRAM, 256Mx16bit (512MB), IC for storing user application code and data. Size of DDR3 can be varied in different assembly versions.

- Part number: NT5CB256M16CP-DIH
- Supply voltage: 1.5V

- Organization: 256M x 16 bits

DDR3 SDRAM can be varied on demand for other assembly options. DDR3 can have density of maximum 512MB due to available addressing. The maximum possible speed for DDR3 SDRAM is 1066 Mb/s.

6.6 Ethernet

There are two 100 MBit Extreme Temperature Ethernet provided by Texas Instrumen on the board. Datasheet is provided at TI website. Both PHY's are connected with all I/O Pins to FPGA Bank 34 (VCCIO = 3.3V). PHY Clock 25 MHz sources is provided from MEMS Oscillator. There is no sharing of signals for the two PHY's.

PUDC pin is connected with pull-up to 3.3V those pre-configuration pull-ups are disabled by default. Strapping resistor exist to change the PUDC mode.

Bank	Signal Name	ETH1	ETH2	Signal Description
34	ETH-RST	M15	R16	Ethernet reset, active-low.
34	ETH_COL	L16	P20	
34	MDC	P16	T17	Ethernet management clock.
34	MDIO	M16	T16	Ethernet management data.
34	ETH_TX_D0	J22	N22	Ethernet transmit data 0. Output to Ethernet PHY.
34	ETH_TX_D1	M17	P21	Ethernet transmit data 1. Output to Ethernet PHY.
34	ETH_TX_D2	K21	P22	Ethernet transmit data 2. Output to Ethernet PHY.
34	ETH_TX_D3	M22	R21	Ethernet transmit data 3. Output to Ethernet PHY.
34	ETH_TX_EN	J21	M21	Ethernet transmit enable.
34	ETH_RX_D0	L17	R18	Ethernet receive data 0. Input from Ethernet PHY.
34	ETH_RX_D1	K18	R19	Ethernet receive data 1. Input from Ethernet PHY.
34	ETH_RX_D2	J18	T18	Ethernet receive data 2. Input from Ethernet PHY.
34	ETH_RX_D3	J20	T19	Ethernet receive data 3. Input from Ethernet PHY.
34	ETH_RX_DV	N17	P15	Ethernet receive data valid.

Table 14: Ethernet PHY to Zynq SoC connections

6.7 CAN Transceiver

Controller Area Network (CAN) transceivers are designed for use with the Texas Instruments TMS320Lx240x 3.3-V DSPs with CAN controllers. The datasheet is available in TI website. Each CAN transceiver is designed to provide

differential transmit capability to the bus and differential receive capability to a CAN controller at speeds up to 1 Mbps.

Bank	Signal name	Notes
500	D - Tx	Driver Input
500	R - Rx	Receiver Output

Table 15: CAN Transceiver interface MIOs

6.8 Oscillators

Designator	Description	Frequency	Used as
U14	MEMS Oscillator	50 MHz	PS_CLK
U5	MEMS Oscillator	25 MHz	Ethernet PHY Clock
U7	RTC (internal oscillator)	32.768 KHz	CLKOUT of RTC is not connected

Table 16: Oscillators

7 Power and Power-On Sequence

7.1 Power Supply

Power supply with minimum current capability of 2.5A for system startup is recommended.

7.2 Power Consumption

Power Input Pin	Typical Current
VIN	TBD*

Table 17: Power Consumption

* TBD - To Be Determined

7.3 Power Distribution Dependencies

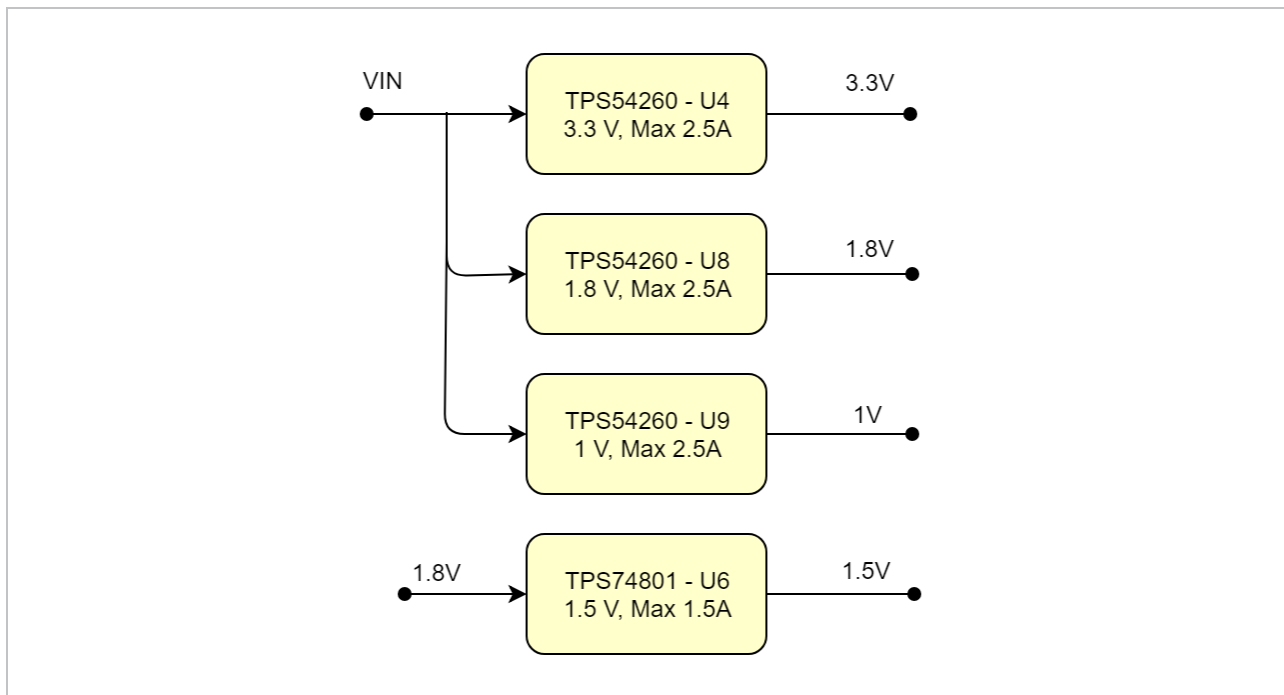


Figure 3: Power Dependencies

7.4 Power on Sequence

The TE0728 SoM meets the recommended criteria to power up the Xilinx Zynq properly by keeping a specific sequence of enabling the on-board DC-DC converters and regulators dedicated to the particular functional units of the Zynq chip and powering up the on-board voltages. When the U8 and U9 generates PWRGD signal, it turns on the U4 which generates PWRGD_3.3V, it turns on the U6 and it generates PWROK signal which is connected to MR.

Whenever the supply voltage for U12 drops down below the threshold it resets the system. Actually it resets the system when all regulators are working.

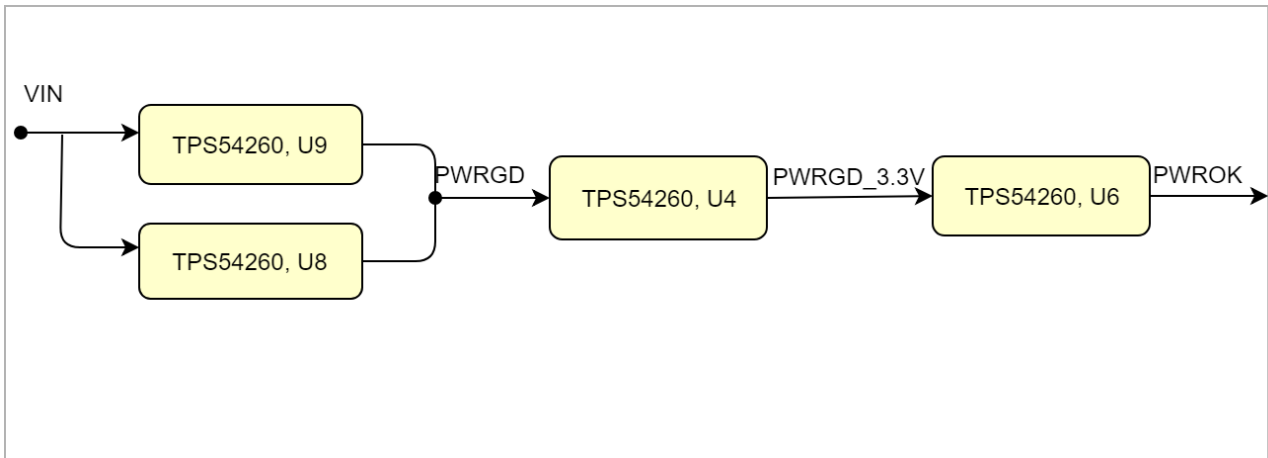


Figure 4: Power On Sequence

7.5 Voltage Monitor Circuit

The microprocessor supervisory circuits monitor system voltages asserting an open-drain RESET signal when the SENSE voltage drops below a preset threshold or when the manual reset (MR) pin drops to a logic low. The RESET output remains low for the user adjustable delay time after the SENSE voltage and MR return above their thresholds. Datasheet is available in Texas Instruments website.

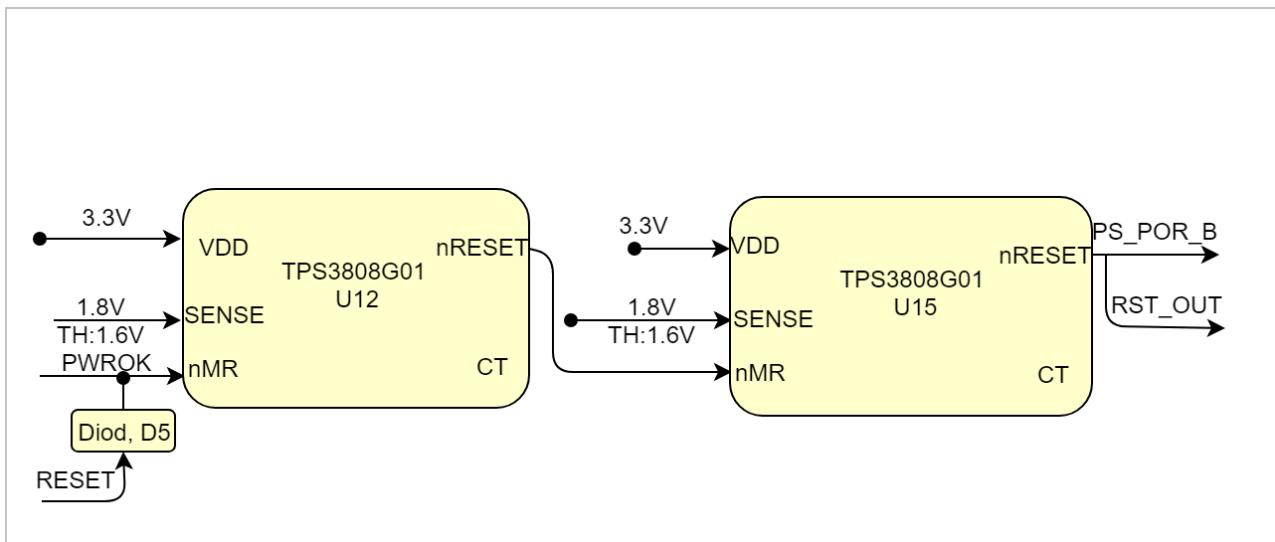


Figure 5: Voltage Monitor Circuit

7.6 Power Rails

Power Signal	B2B JM1 Pin	B2B JM2 Pin	B2B JM3 Pin	Direction	Notes
VIN	1,3	-	-	Input	Supply voltage from carrier board.
VCCO_13	39	-	-	Input	
VBATT	-	1	-	Output	RTC Supply voltage
3.3V	19	4	25,57	Output	Internal 3.3V voltage level.
VMIO	-	2		Input	Variable and supplied by carrier
1.8V	-	5	-	Output	Internal 1.8V voltage level.

Table 18: Module power rails.

7.7 Bank Voltages

Bank	Schematic Name	Voltage	I/O Type	Notes
500	VCCO_MIO0_500	3.3V	MIO	
501	VCCO_MIO1_501	2.5V or 3.3V	MIO	supplied by carrier.
502	VCCO_DDR_502	1.5V	DDR3	
13	VCCO_13	1.8V or 3.3V	HR	Supplied by the carrier board. J1
33	3.3V	3.3V	HR	Supplied by carrier board. J3
34	3.3V	3.3V	HR	
35	3.3V	3.3V	HR	Supplied by the carrier board. J2, J3

Table 19: Zynq SoC bank voltages.

8 Board to Board Connectors

6 x 6 modules use two or three [Samtec Micro Tiger Eye Socket Strip](#)⁸ on the bottom side.

- 3 x REF-189018-01 (compatible to TEM-140-02-03.0-H-D-A), (80 pins, "40" per row)

Connector Specifications	Value
Insulator material	Black Liquid Crystal Polymer
Stacking height	6 mm
Contact material	Phosphor-bronze
Plating	Au or Sn over 50 μ" (1.27 μm) Ni
Current rating	2.9 A per pin (2 pins powered)
Operating temperature range	-55 °C to +125 °C
RoHS compliant	Yes

Table 20: Connector specifications.

8.1 Connector Mating height

When using the same type on baseboard, the mating height is 6mm. Other mating heights are possible by using connectors with a different height

Order number	Connector on baseboard	compatible to	Mating height
26056	REF-189018-01	TEM-140-02-03.0-H-D-A	6 mm
	SEM-140-02-03.0-H-D-A	TEM-140-02-03.0-H-D-A	6 mm

Table 21: Connectors.

The module can be manufactured using other connectors upon request.

8.2 Connector Speed Ratings

The LSHM connector speed rating depends on the stacking height; please see the following table:

Stacking height	Speed rating
6 mm, Single-Ended	12 GHz

⁸ <https://shop.trenz-electronic.de/en/26056-Samtec-Micro-Tiger-Eye-REF-189018-01-80-Pins-fuer-TE0728>

Stacking height	Speed rating
10 mm, Differential	17 GHz
6 mm, Single-Ended	14.5 GHz
10 mm, Differential	17.5 GHz

Table 22: Speed rating.

8.3 Current Rating

Current rating of Samtec Micro Tiger Eye Connector™ LSHM B2B connectors is 2.9A per pin (2 adjacent pins powered).

8.4 Connector Mechanical Ratings

- Shock: 100G, 6 ms Sine
- Vibration: 7.5G random, 2 hours per axis, 3 axes total

8.5 Manufacturer Documentation

9 Technical Specifications

9.1 Absolute Maximum Ratings

Symbols	Min	Max	Unit	Description
VIN supply voltage	-0.3	65	V	TPS54260-Q1 datasheets.
VMIO	-0.5	3.6	V	PS MIO I/O supply voltage
VCCO	-0.5	3.6	V	PL supply voltage for HR I/O banks
Storage Temperature	-40	+85	°C	

Table 23: Absolute maximum ratings

9.2 Recommended Operating Conditionse

Symbol	Min	Max	Units	Reference Document
VIN supply voltage	3.5	60	V	TPS54260-Q1 datasheets.
VMIO	1.71	3.465	V	See Xilinx DS187 data sheet.
VCCO	1.14	3.465	V	See Xilinx DS187 datasheet.
Operating Temperature	-40	+105	°C	

Table 24: Recommended operating conditions

9.3 Physical Dimensions

- Module size: 60 mm × 60 mm. Please download the assembly diagram for exact numbers.
- Mating height with standard connectors: 7 mm.
- PCB thickness: 1.6 mm.

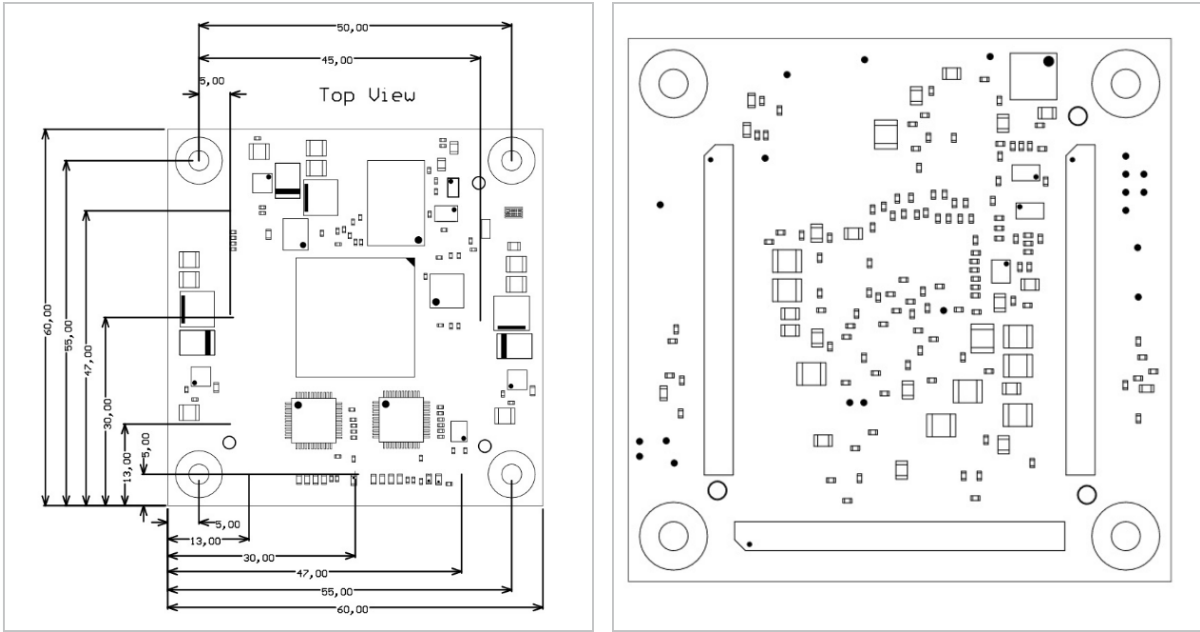


Figure 6: Physical Dimension

10 Currently Offered Variants

Trenz shop TE0728 overview page	
English page⁹	German page¹⁰

Table 25: Trenz Electronic Shop Overview

⁹ <https://shop.trenz-electronic.de/en/Products/Trenz-Electronic/TE07XX-Zynq-SoC/TE0728-Zynq-SoC/>

¹⁰ <https://shop.trenz-electronic.de/de/Produkte/Trenz-Electronic/TE07XX-Zynq-SoC/TE0728-Zynq-SoC/>

11 Revision History

11.1 Hardware Revision History

Product changes can be seen in [PCN¹¹](#) page.

Date	Revision	Changes
2016-08-18	04	<ul style="list-style-type: none"> U1 DDR3 IC changed from NT5CB256M16CP-DIH to NT5CC256M16CP-DIH Net DDR3-ODT0: added series resistor R55 Added Traceability pad Net PS-POR-B: added pull-down resistor R56
2015-12-01	03	• ...
2015-06-12	02	• ...
2015-03-03	01	• ...

Table 26: Hardware Revision History

Hardware revision number is printed on the PCB board next to the module model number separated by the dash.

11.2 Document Change History


Date	Revision	Contributor	Description
 2019-04-29	v.366(see page 6)	John Hartfiel¹²	• initial release
--	all	Pedram Babakhani¹³ , John Hartfiel¹⁴ , Thorsten Trenz¹⁵	• --

Table 27: Document change history.

¹¹ <https://wiki.trenz-electronic.de/display/PD/TE0728+Product+Change+Notifications>

¹² <https://wiki.trenz-electronic.de/display/~j.hartfiel>

¹³ <https://wiki.trenz-electronic.de/display/~P.Babakhani>

¹⁴ <https://wiki.trenz-electronic.de/display/~j.hartfiel>

¹⁵ <https://wiki.trenz-electronic.de/display/~tht>

12 Disclaimer

12.1 Data privacy

Please also note our data protection declaration at <https://www.trenz-electronic.de/en/Data-protection-Privacy>

12.2 Document Warranty

The material contained in this document is provided “as is” and is subject to being changed at any time without notice. Trenz Electronic does not warrant the accuracy and completeness of the materials in this document. Further, to the maximum extent permitted by applicable law, Trenz Electronic disclaims all warranties, either express or implied, with regard to this document and any information contained herein, including but not limited to the implied warranties of merchantability, fitness for a particular purpose or non infringement of intellectual property. Trenz Electronic shall not be liable for errors or for incidental or consequential damages in connection with the furnishing, use, or performance of this document or of any information contained herein.

12.3 Limitation of Liability

In no event will Trenz Electronic, its suppliers, or other third parties mentioned in this document be liable for any damages whatsoever (including, without limitation, those resulting from lost profits, lost data or business interruption) arising out of the use, inability to use, or the results of use of this document, any documents linked to this document, or the materials or information contained at any or all such documents. If your use of the materials or information from this document results in the need for servicing, repair or correction of equipment or data, you assume all costs thereof.

12.4 Copyright Notice

No part of this manual may be reproduced in any form or by any means (including electronic storage and retrieval or translation into a foreign language) without prior agreement and written consent from Trenz Electronic.

12.5 Technology Licenses

The hardware / firmware / software described in this document are furnished under a license and may be used / modified / copied only in accordance with the terms of such license.

12.6 Environmental Protection

To confront directly with the responsibility toward the environment, the global community and eventually also oneself. Such a resolution should be integral part not only of everybody's life. Also enterprises shall be conscious of their social responsibility and contribute to the preservation of our common living space. That is why Trenz Electronic invests in the protection of our Environment.

12.7 REACH, RoHS and WEEE

REACH

Trenz Electronic is a manufacturer and a distributor of electronic products. It is therefore a so called downstream user in the sense of REACH¹⁶. The products we supply to you are solely non-chemical products (goods). Moreover and under normal and reasonably foreseeable circumstances of application, the goods supplied to you shall not release any substance. For that, Trenz Electronic is obliged to neither register nor to provide safety data sheet. According to present knowledge and to best of our knowledge, no SVHC (Substances of Very High Concern) on the Candidate List¹⁷ are contained in our products. Furthermore, we will immediately and unsolicited inform our customers in compliance with REACH - Article 33 if any substance present in our goods (above a concentration of 0,1 % weight by weight) will be classified as SVHC by the European Chemicals Agency (ECHA)¹⁸.

RoHS

Trenz Electronic GmbH herewith declares that all its products are developed, manufactured and distributed RoHS compliant.

WEEE

Information for users within the European Union in accordance with Directive 2002/96/EC of the European Parliament and of the Council of 27 January 2003 on waste electrical and electronic equipment (WEEE).

Users of electrical and electronic equipment in private households are required not to dispose of waste electrical and electronic equipment as unsorted municipal waste and to collect such waste electrical and electronic equipment separately. By the 13 August 2005, Member States shall have ensured that systems are set up allowing final holders and distributors to return waste electrical and electronic equipment at least free of charge. Member States shall ensure the availability and accessibility of the necessary collection facilities. Separate collection is the precondition to ensure specific treatment and recycling of waste electrical and electronic equipment and is necessary to achieve the chosen level of protection of human health and the environment in the European Union. Consumers have to actively contribute to the success of such collection and the return of waste electrical and electronic equipment. Presence of hazardous substances in electrical and electronic equipment results in potential effects on the environment and human health. The symbol consisting of the crossed-out wheeled bin indicates separate collection for waste electrical and electronic equipment.

Trenz Electronic is registered under WEEE-Reg.-Nr. DE97922676.

 2018-09-18

¹⁶ <http://guidance.echa.europa.eu/>

¹⁷ <https://echa.europa.eu/candidate-list-table>

¹⁸ <http://www.echa.europa.eu/>

Mouser Electronics

Authorized Distributor

Click to View Pricing, Inventory, Delivery & Lifecycle Information:

[Trenz Electronic:](#)

[TE0728-04-1Q](#)