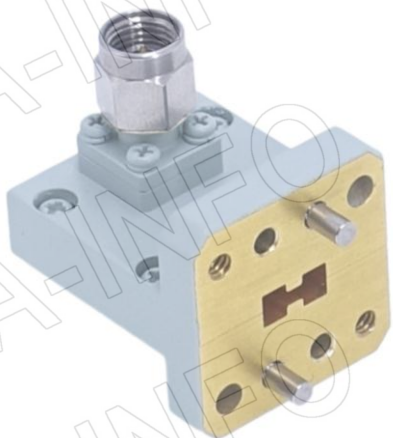


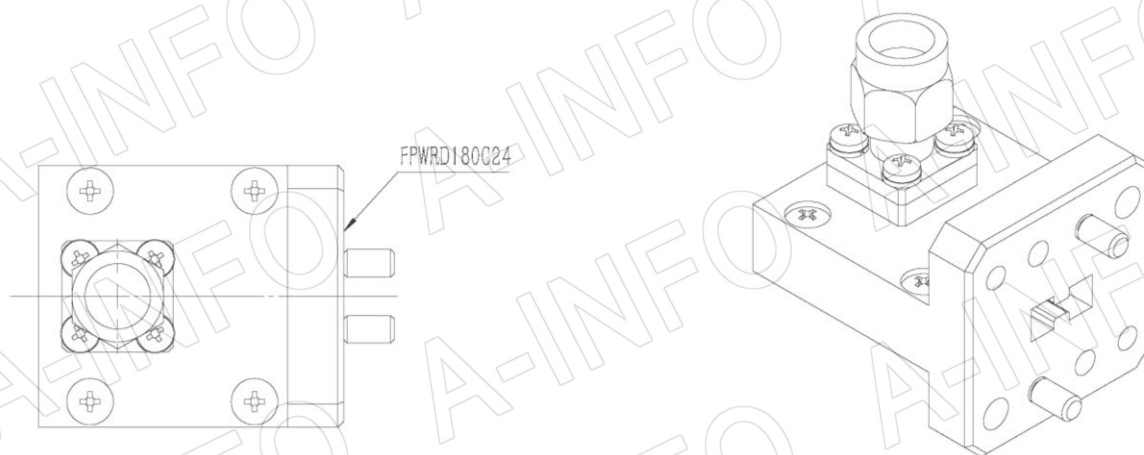
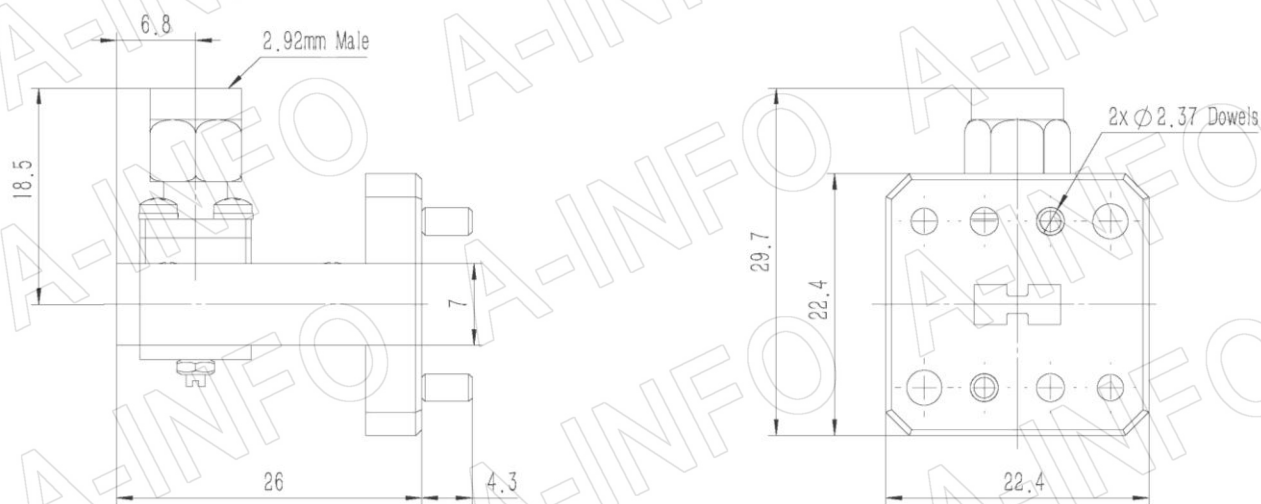
For reference only. See data sheet for the detailed specifications.

## Technical Specification



EIA WRD	WRD180
Frequency Range(GHz)	18.0 – 40.0
Insertion Loss(dB)	0.75 Max.
VSWR	1.50:1 Max.
Flange	FPWRD180C24
Connector	2.92mm-Male
Average Power (W CW)	20 Max.
Peak Power(KW)	0.04
Material	Cu
Size(mm)	26 x 22.4 x 29.7
Net Weight(Kg)	0.05 Around

## Outline Drawing (Size: mm)



**AINFO Inc.**

China(Beijing):  
China(Chengdu):  
USA :

Tel: (+86) 10-6266-7326,  
Tel: (+86) 28-8519-2786,  
Tel: (+1) 949-639-9688,

(+86) 10-6266-7327  
(+86) 28-8519-3044  
(+1) 949-639-9608

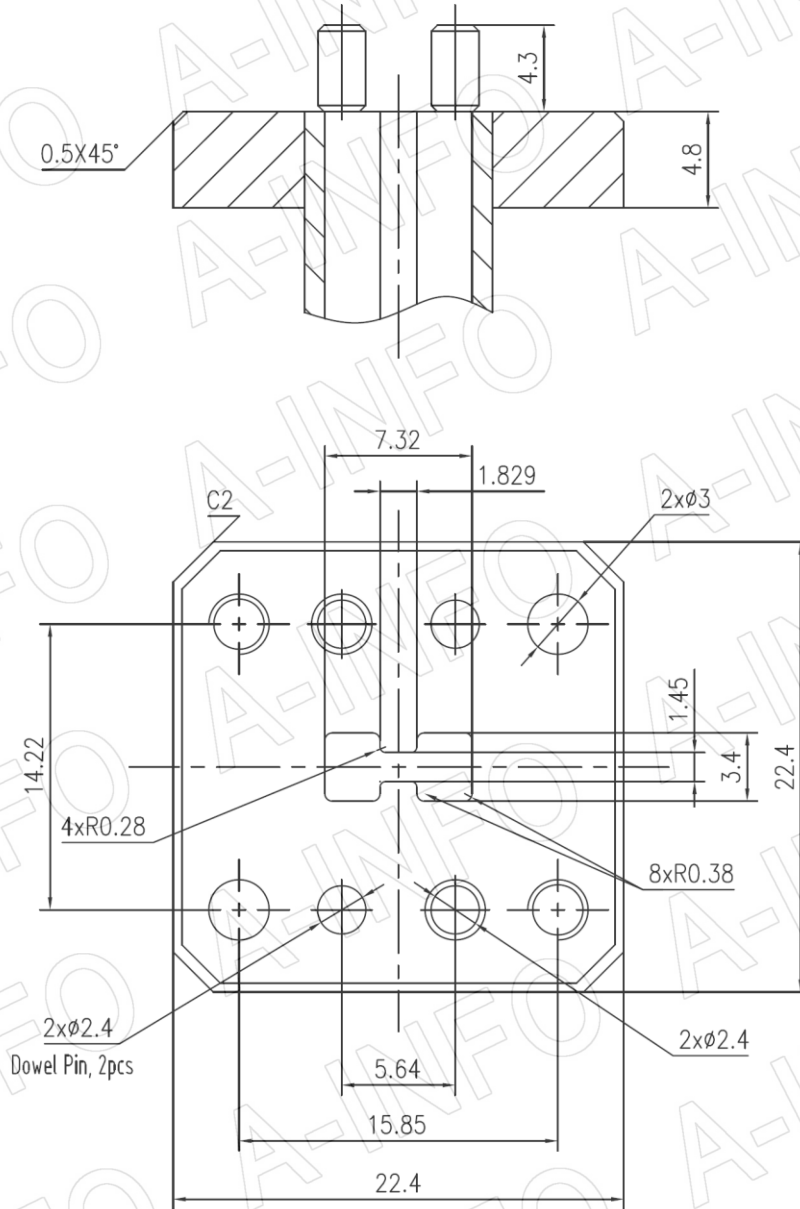
Page 1 of 3  
Fax: (+86) 10-6266-7379  
Fax: (+86) 28-8519-3068  
Fax: (+1) 949-639-9670

Website: [www.ainfoinc.com](http://www.ainfoinc.com)  
Email: [sales@ainfoinc.com](mailto:sales@ainfoinc.com)

## Flange Drawing (Size: mm)

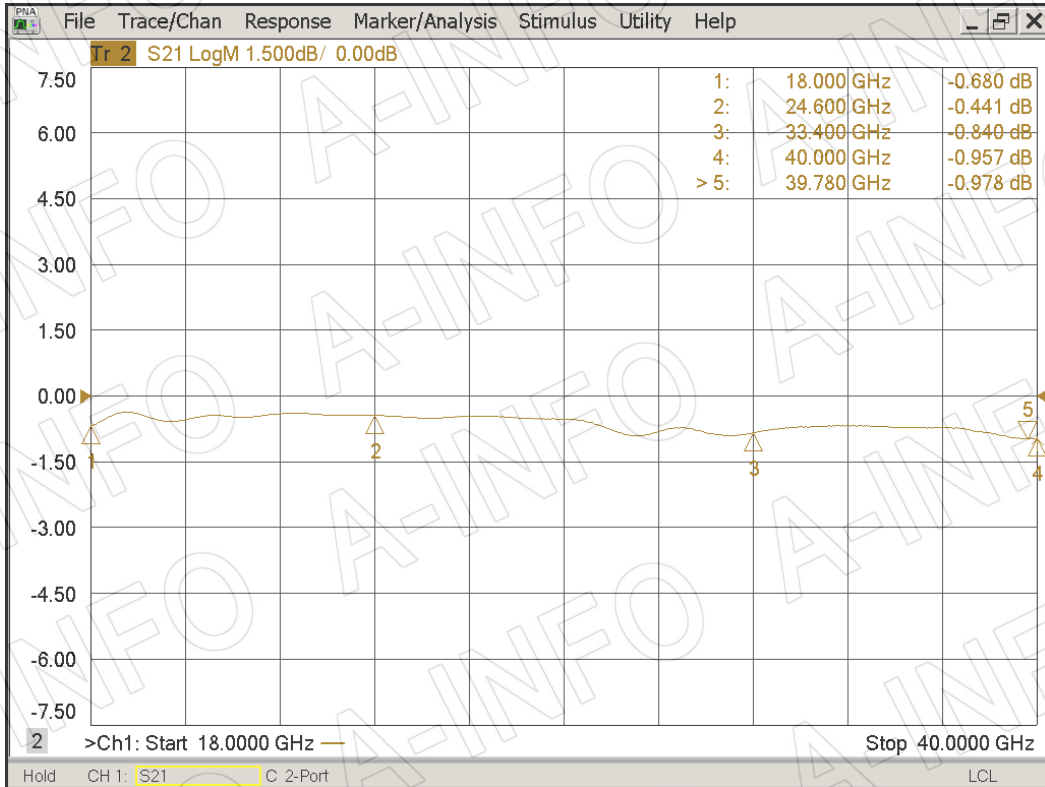
### FPWRD180C24

(With two through mounting holes and two screws holes)



## Test Results

I. L. (Test with two adapters back to back)



## VSWR

