

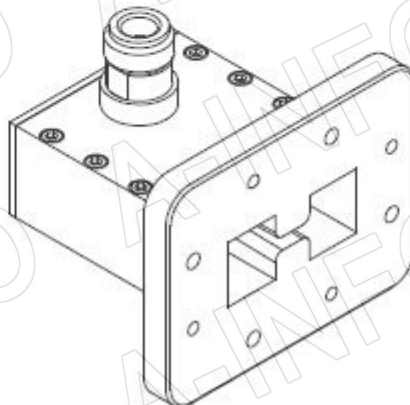
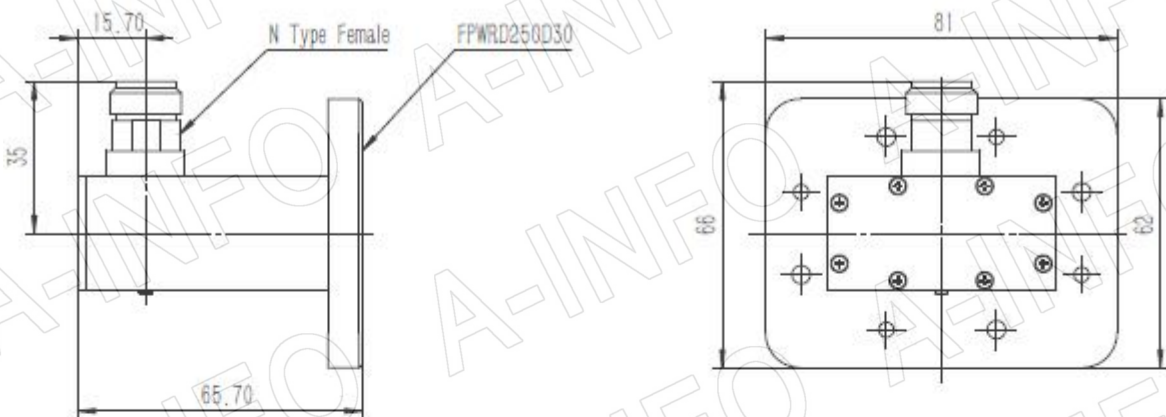
For reference only. See data sheet for the detailed specifications.

Technical Specification



EIA WRD	WRD250
Frequency Range(GHz)	2.6 – 7.8
Insertion Loss(dB)	0.25 Max.
VSWR	1.30:1 Max.
Flange	FPWRD250D30
Connector	High Power N-Female
Average Power(W CW)	1000 Max.
Peak Power(KW)	3
Material	Al
Size(mm)	65.7 x 81 x 66
Net Weight(Kg)	0.25 Around

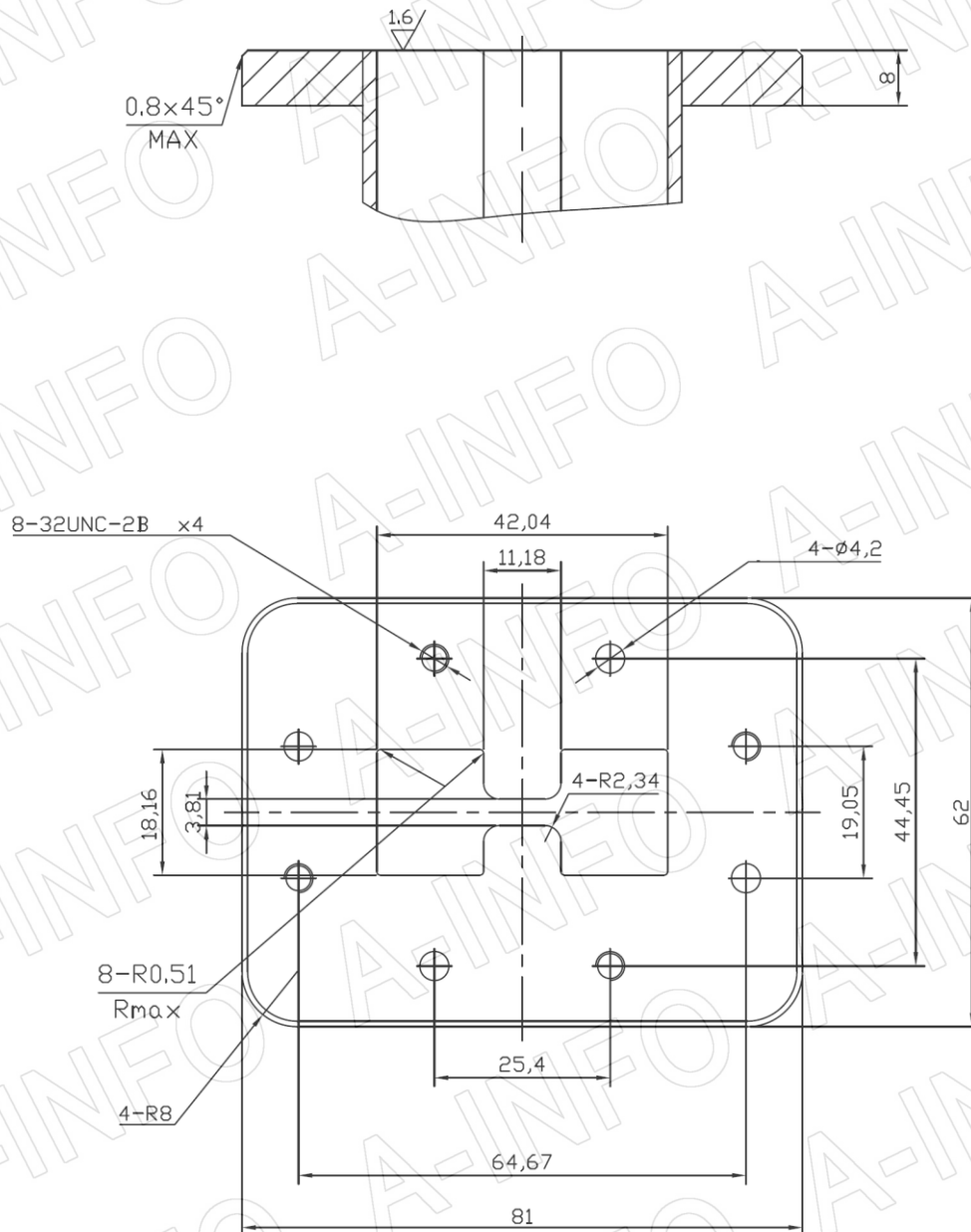
Outline Drawing (Size: mm)



Flange Drawing (Size: mm)

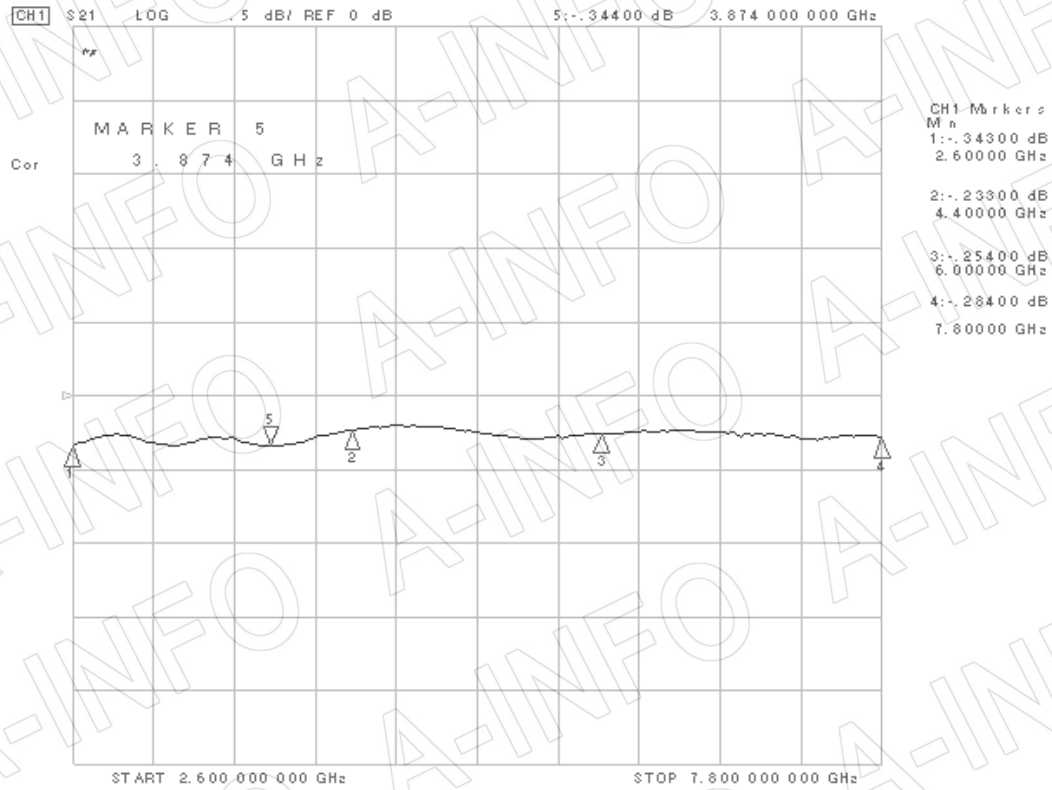
FPWRD250D30

(With four through mounting holes
and four screws holes)



Test Results

I. L. (Test with two adapters back to back)



VSWR

