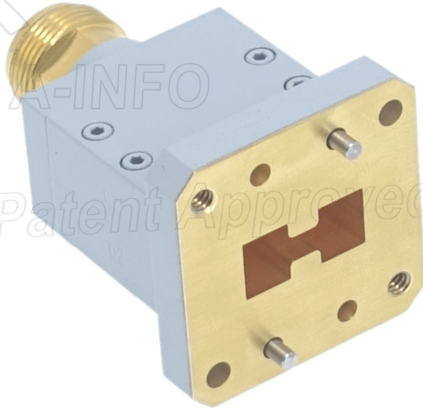


For reference only. See data sheet for the detailed specifications.

## Technical Specification

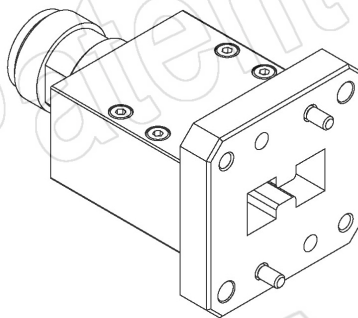
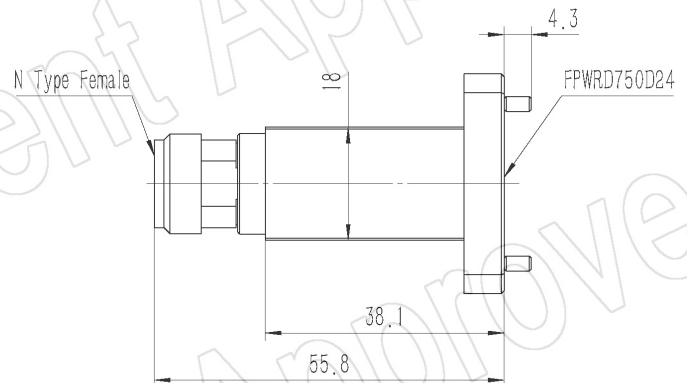
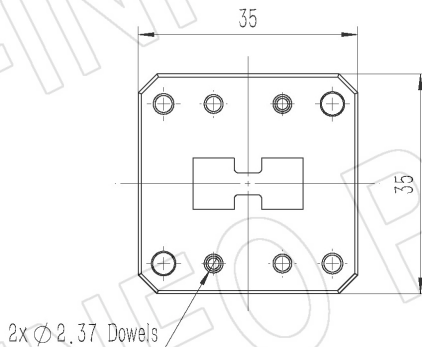


EIA WRD	WRD750
Frequency Range(GHz)	7.5 – 18.0
Insertion Loss(dB)	0.3 Max.
VSWR	1.50:1 Max.
Flange	FPWRD750D24
Connector	N-Female
Average Power(W CW)	500 Max.
Peak Power(KW)	5
Material	Cu
Size(mm)	55.8 x 35 x 35
Net Weight(Kg)	0.19 Around

PATENT ID (China)

ZL202222525193.5, ZL202230631554.7

## Outline Drawing (Size: mm)



AINFO Inc.

Page 1 of 3

China(Beijing):  
China(Chengdu):  
USA :

Tel: (+86) 10-6266-7326,  
Tel: (+86) 28-8519-2786,  
Tel: (+1) 949-639-9688,

(+86) 10-6266-7327  
(+86) 28-8519-3044  
(+1) 949-639-9608

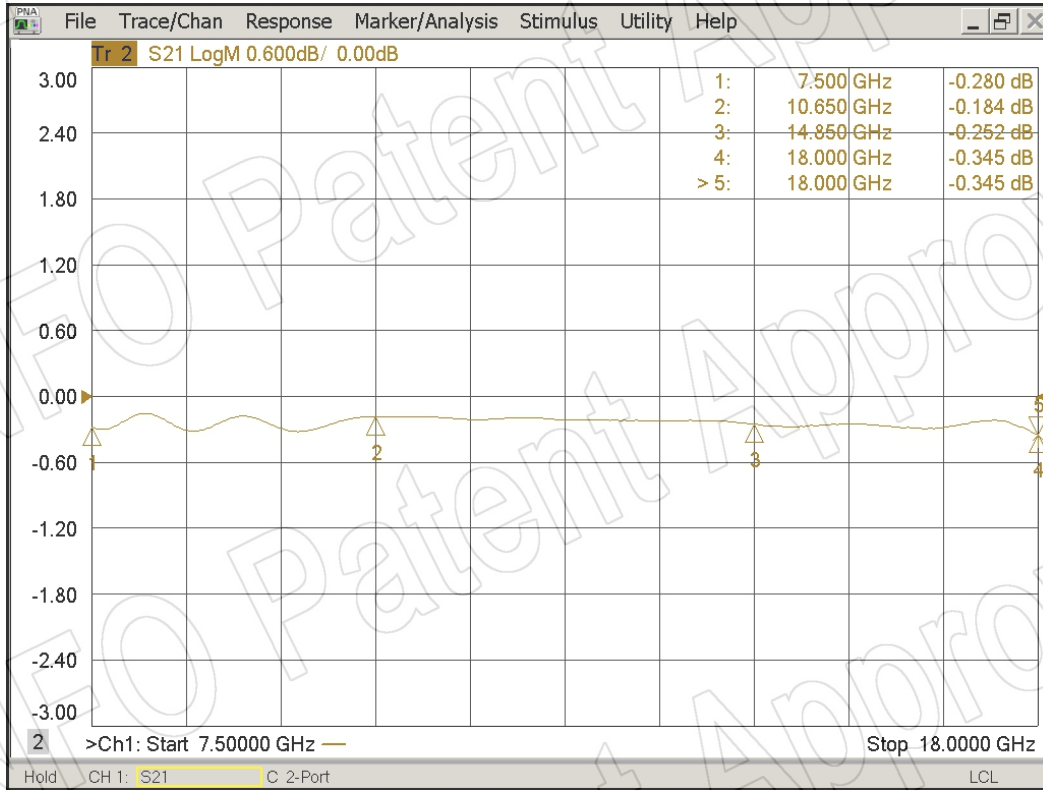
Fax: (+86) 10-6266-7379  
Fax: (+86) 28-8519-3068  
Fax: (+1) 949-639-9670

Website: [www.ainfoinc.com](http://www.ainfoinc.com)  
Email: [sales@ainfoinc.com](mailto:sales@ainfoinc.com)



## Test Results

I. L. (Test with two adapters back to back)



VSWR

