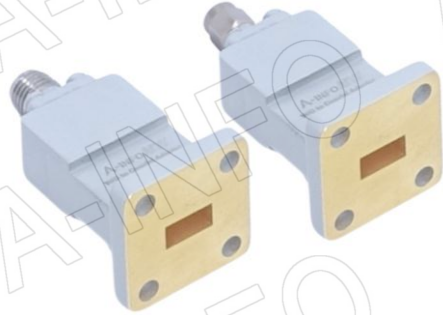


For reference only. See data sheet for the detailed specifications.

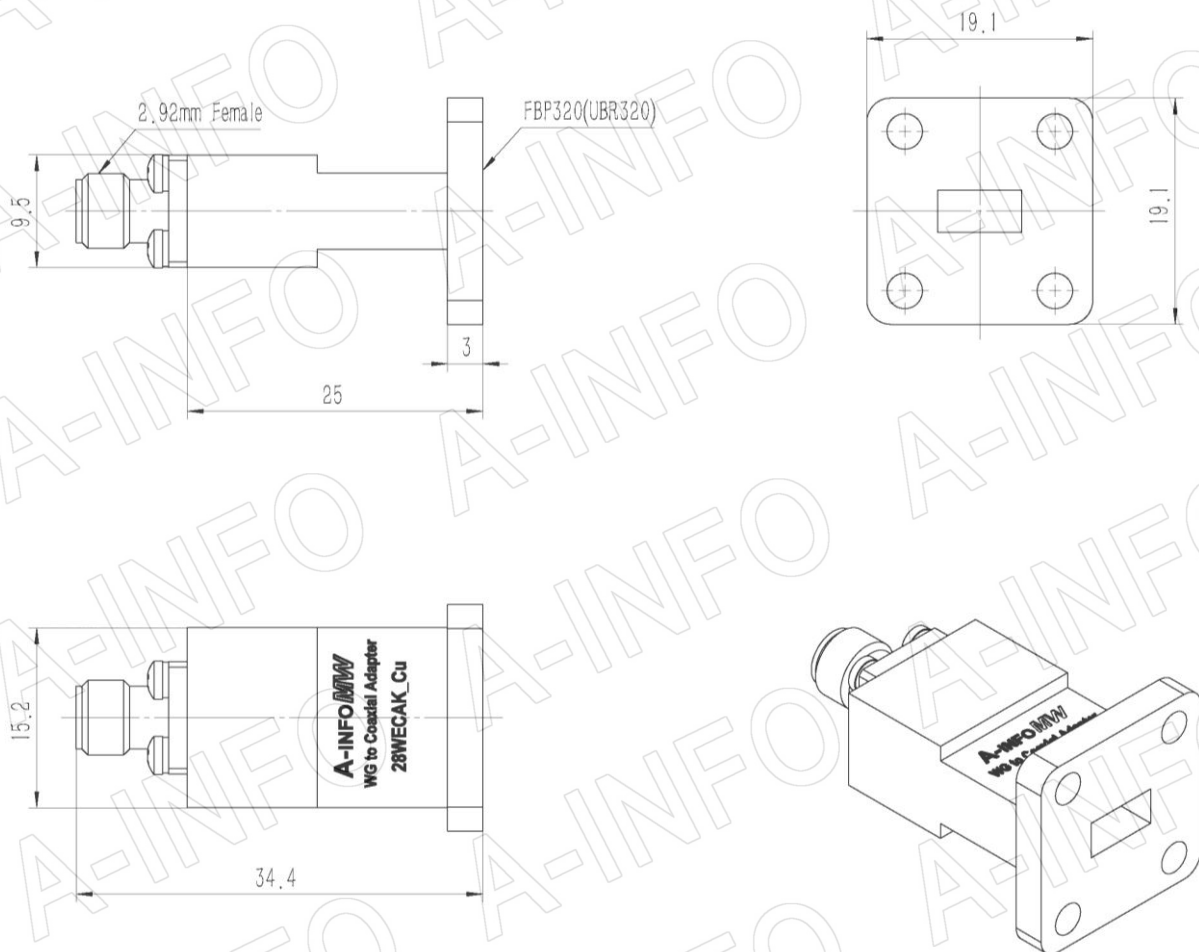
Technical Specification



EIA WR	WR28
Frequency Range(GHz)	26.5 – 40.0
Insertion Loss(dB)	0.5 Max.
VSWR	1.30:1 Max.
Flange	FBP320(UBR320)
Connector	2.92mm-Female/ 2.92mm-Male
Power Handling(W CW)	20 Max.
Peak Power(KW)	0.04
Material	Cu
Size(mm)	34.4 x 19.1 x 19.1
Net Weight(Kg)	0.05 Around

Outline Drawing (Size: mm)

2.92mm-Female Output (P/N: 28WECAK_Cu)



AINFO Inc.

Page 1 of 4

China(Beijing):
China(Chengdu):
USA :

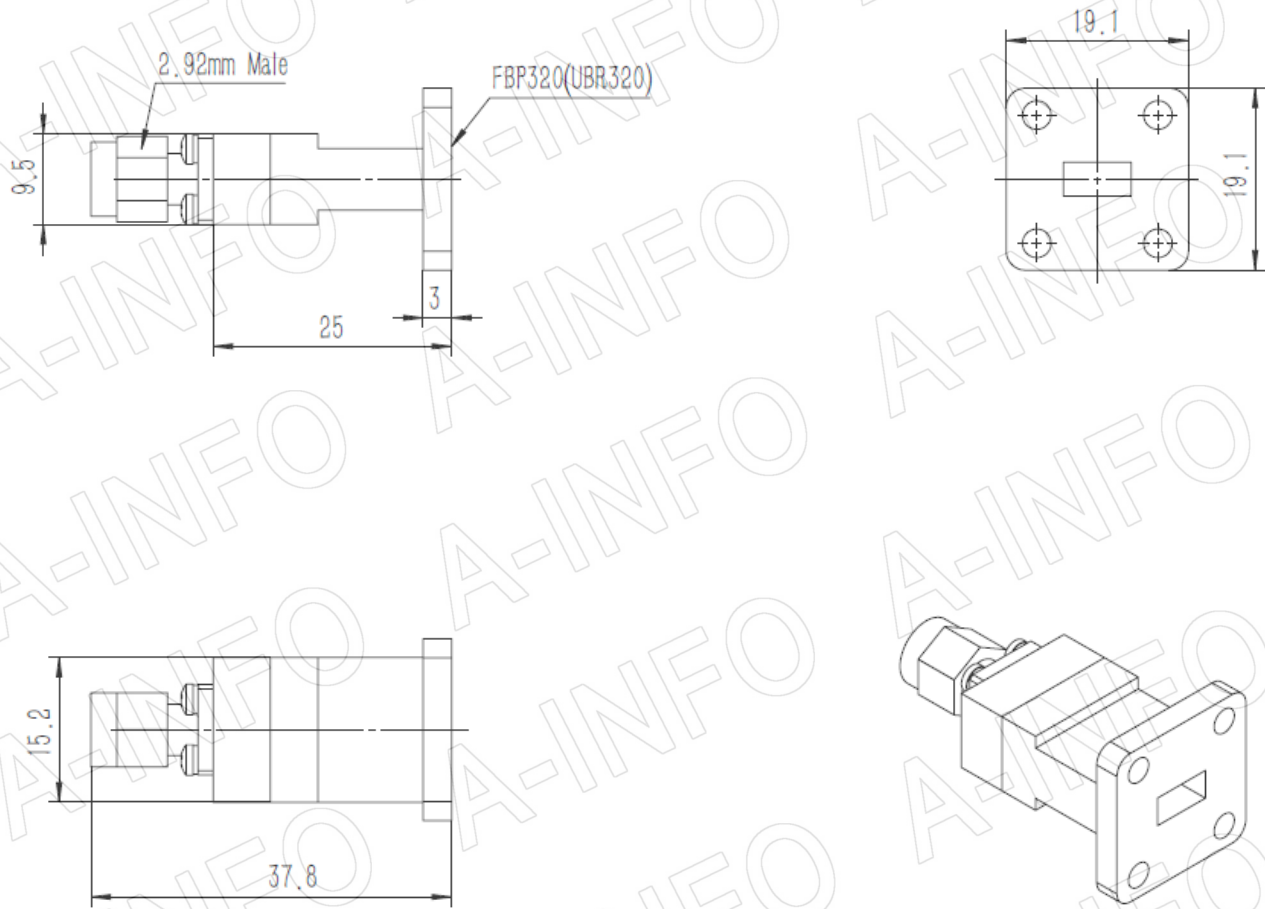
Tel: (+86) 10-6266-7326,
Tel: (+86) 28-8519-2786,
Tel: (+1) 949-639-9688,

(+86) 10-6266-7327
(+86) 28-8519-3044
(+1) 949-639-9608

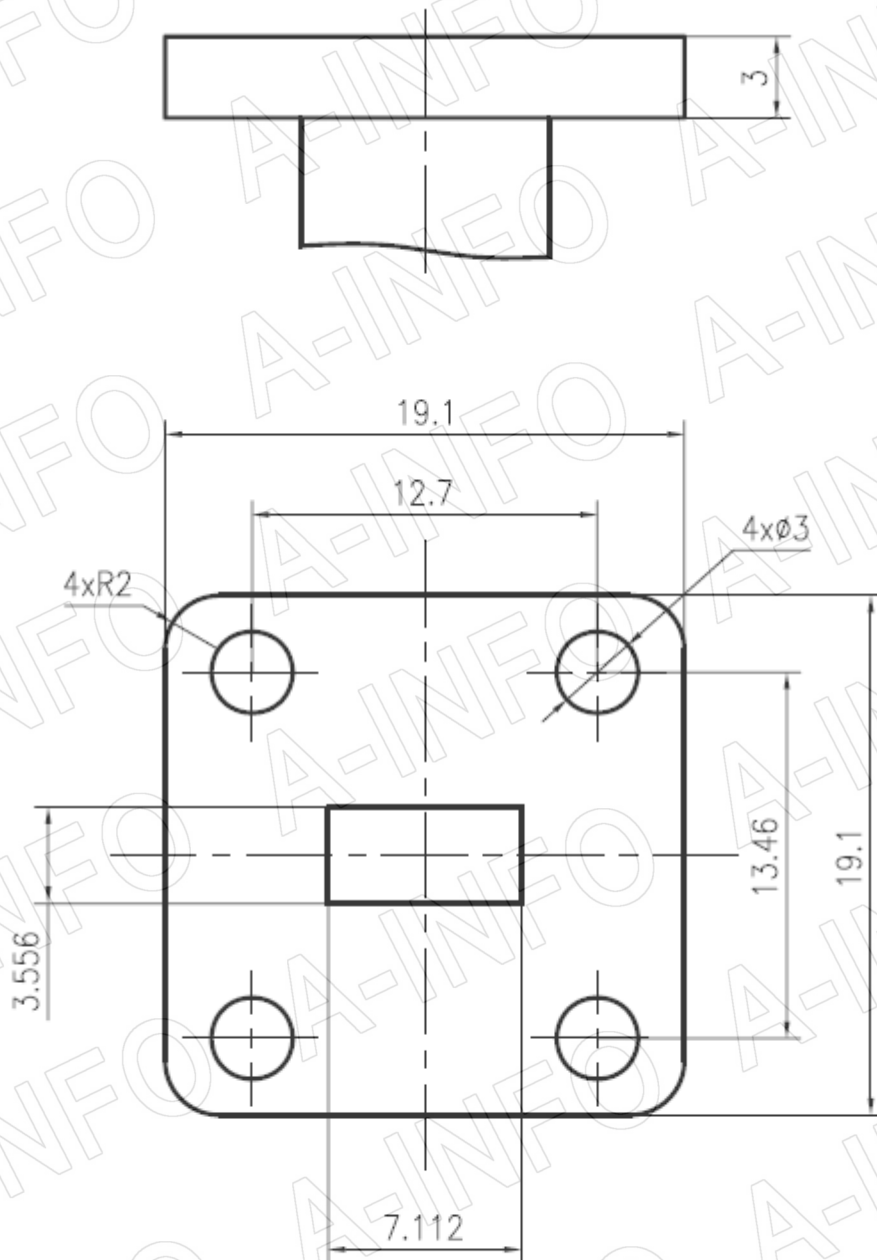
Fax: (+86) 10-6266-7379
Fax: (+86) 28-8519-3068
Fax: (+1) 949-639-9670

Website: www.ainfoinc.com
Email: sales@ainfoinc.com

2.92mm-Male Output (P/N: 28WECAKM_Cu)



Flange Drawing (Size: mm)



FBP320

AINFO Inc.

Page 3 of 4

China(Beijing):
China(Chengdu):
USA :

Tel: (+86) 10-6266-7326,
Tel: (+86) 28-8519-2786,
Tel: (+1) 949-639-9688,

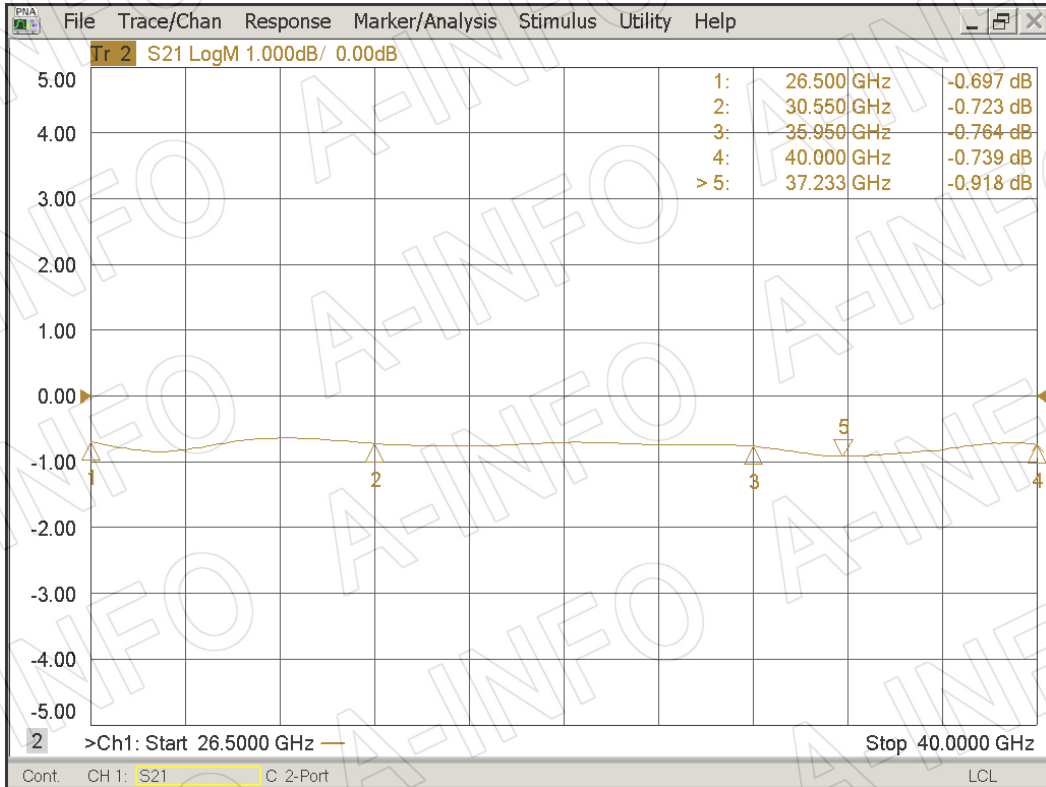
(+86) 10-6266-7327
(+86) 28-8519-3044
(+1) 949-639-9608

Fax: (+86) 10-6266-7379
Fax: (+86) 28-8519-3068
Fax: (+1) 949-639-9670

Website: www.ainfoinc.com
Email: sales@ainfoinc.com

Test Results

I. L. (Test with two adapters back to back)



VSWR

