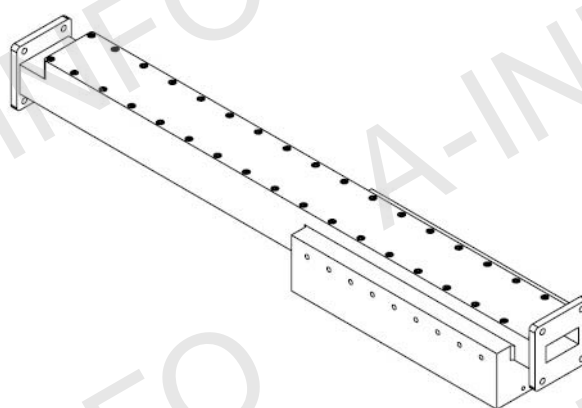
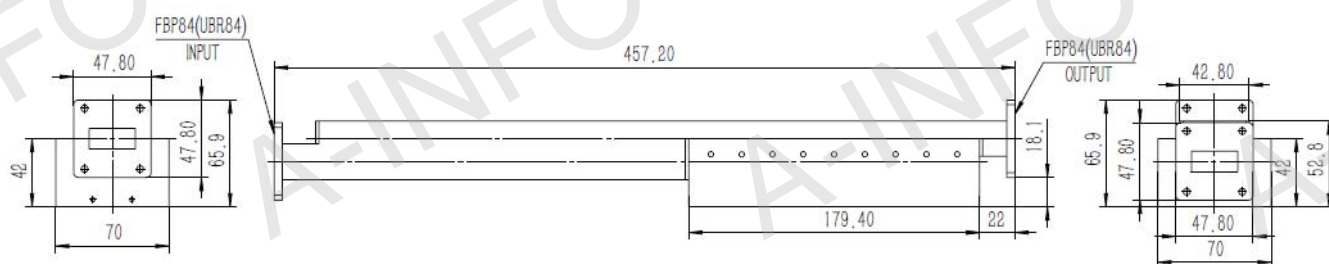


Technical Specification

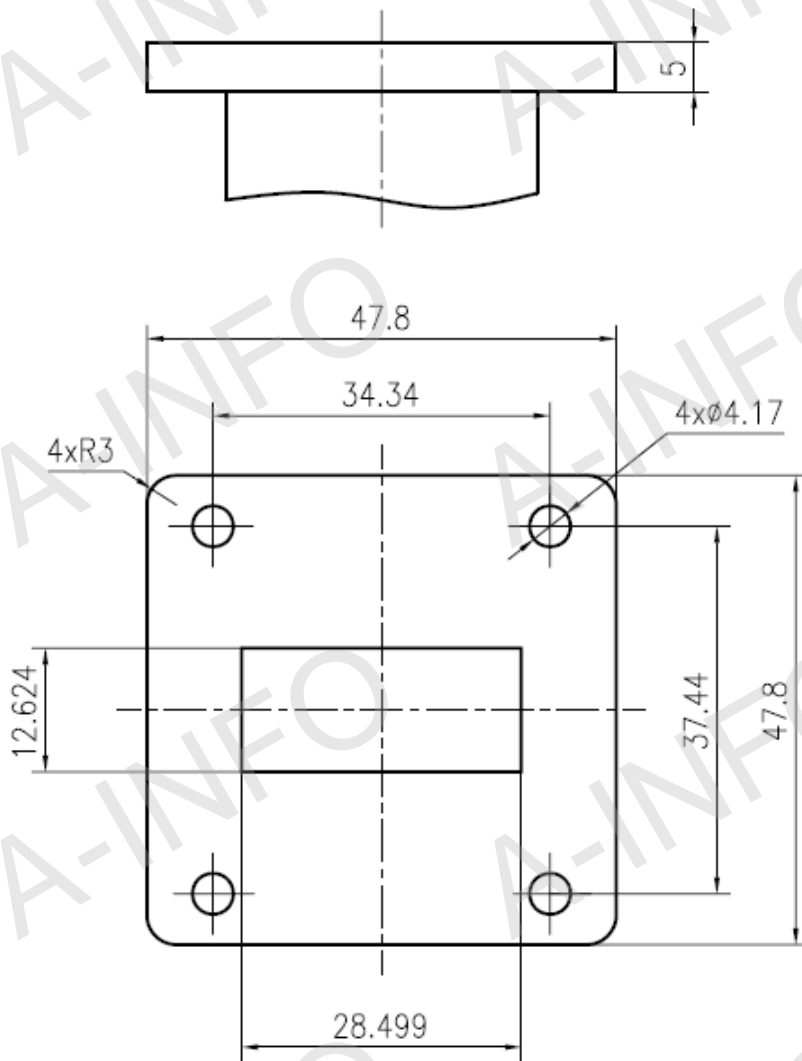


Frequency Range(GHz)	7.05-10.0
Waveguide	WR112
Attenuation(dB)	50
Attenuation Accuracy(dB)	±0.9 Max.
Attenuation Sensitivity(dB)	±0.7 Max.
VSWR	1.15 Max.
Average Power(W)	425 CW
Peak Power(KW)	400
Flange	FBP84(UBR84)
Material	Al
Net Weight(Kg)	2.02 Around

Outline Drawing (Size: mm)



Flange Drawing (Size: mm)



FBP84

AINFO Inc.

Page 2 of 3

China(Beijing):
China(Chengdu):
USA :

Tel: (+86) 10-6266-7326,
Tel: (+86) 28-8519-2786,
Tel: (+1) 949-346-7326,

(+86) 10-6266-7327
(+86) 28-8519-3044
(+1) 949-639-9660

Fax: (+86) 10-6266-7379
Fax: (+86) 28-8519-3068
Fax: (+1) 949-639-9659

Website: www.ainfoinc.com
Email: sales@ainfoinc.com

Test Result

CH1	S11	\$\Sigma\$WR	150 m / REF 1	5: 1.0624	7.241 750 000 GHz
CH2	S21	LOG	.3 dB / REF -50 dB	5: -49.780 dB	9.852 500 000 GHz
CH3	S21	LOG	.3 dB / REF -50 dB	5: -50.756 dB	8.283 000 000 GHz
CH4	S22	\$\Sigma\$WR	150 m / REF 1	5: 1.0313	7.758 000 000 GHz

