



**RoHS Compliant**  
**1310 nm Single-mode Transceiver (L4.1)**  
**Small Form Pluggable (SFP), with Diagnostic Monitoring**  
**622 Mbps SONET OC-12/SDH STM-4**



**Features**

- Compliant with SONET/SDH standard
- Industry standard small form pluggable (SFP) package
- Duplex LC connector
- Differential LVPECL inputs and outputs
- Single power supply 3.3V
- TTL signal detect indicator
- Hot Pluggable
- Class 1 laser product complies with EN 60825-1

**Ordering Information**

PART NUMBER	INPUT/OUTPUT	SIGNAL DETECT	VOLTAGE	TEMPERATURE	Distance
LS38-B3L-TC-N-DD	AC/AC	TTL	3.3V	0°C to 70°C	50km
LS38-B3L-TI-N-DD	AC/AC	TTL	3.3V	-40°C to 85°C	50km

**Diagnostics**

Parameter	Range	Accuracy	Unit	Calibration
Temperature	-40 to 95	± 3	°C	External
Voltage	0 to VCC	± 0.1	V	
Bias Current	0 to 120	± 5	mA	
TX Power	-5 to +4	± 3 dB	dBm	
RX Power	-28 to -8	± 3 dB	dBm	



**RoHS Compliant**  
**1310 nm Single-mode Transceiver (L4.1)**  
**Small Form Pluggable (SFP), with Diagnostic Monitoring**  
**622 Mbps SONET OC-12/SDH STM-4**

---

**Absolute Maximum Ratings**

PARAMETER	SYMBOL	MIN	MAX	UNITS	NOTE
Storage Temperature	$T_S$	-40	85	°C	
Supply Voltage	$V_{CC}$	-0.5	4.0	V	
Input Voltage	$V_{IN}$	-0.5	$V_{CC}$	V	
Output Current	$I_o$	---	50	mA	
Operating Current	$I_{OP}$	---	400	mA	



**RoHS Compliant**  
**1310 nm Single-mode Transceiver (L4.1)**  
**Small Form Pluggable (SFP), with Diagnostic Monitoring**  
**622 Mbps SONET OC-12/SDH STM-4**

**Recommended Operating Conditions**

PARAMETER	SYMBOL	MIN	MAX	UNITS	NOTE
Case Operating Temperature	$T_C$	0 -40	70 85	°C	LS38-B3L-TC-N LS38-B3L-TI-N
Supply Voltage	$V_{CC}$	3.1	3.5	V	
Supply Current	$I_{TX} + I_{RX}$	---	300	mA	

**Transmitter Electro-optical Characteristics**

$V_{CC} = 3.1\text{ V to }3.5\text{ V}, T_C = 0^\circ\text{C to }70^\circ\text{C}(-40^\circ\text{C to }85^\circ\text{C})$

PARAMETER	SYMBOL	MIN	TYP.	MAX	UNITS	NOTE
Data Rate	$B$	---	622	700	Mb/s	
Output Optical Power 9/125 $\mu\text{m}$ fiber	$P_{out}$	-3	---	+2	dBm	Average
Extinction Ratio	$ER$	10	---	---	dB	
Center Wavelength	$\lambda_C$	1280	1310	1335	nm	
Spectral Width (-20dB)	$\Delta\lambda$	---	---	1	nm	
Side Mode Suppression Ratio	$SMSR$	30	---	---	dB	
Rise/Fall Time (20–80%)	$T_{r,f}$	---	---	0.5	ns	
Output Eye	Compliant with Telcordia GR-253-CORE Issue 3 and ITU-T recommendation G-957					
Differential Input Voltage	$V_{DIFF}$	0.4	---	2.0	V	



**RoHS Compliant**  
**1310 nm Single-mode Transceiver (L4.1)**  
**Small Form Pluggable (SFP), with Diagnostic Monitoring**  
**622 Mbps SONET OC-12/SDH STM-4**

**Receiver Electro-optical Characteristics**

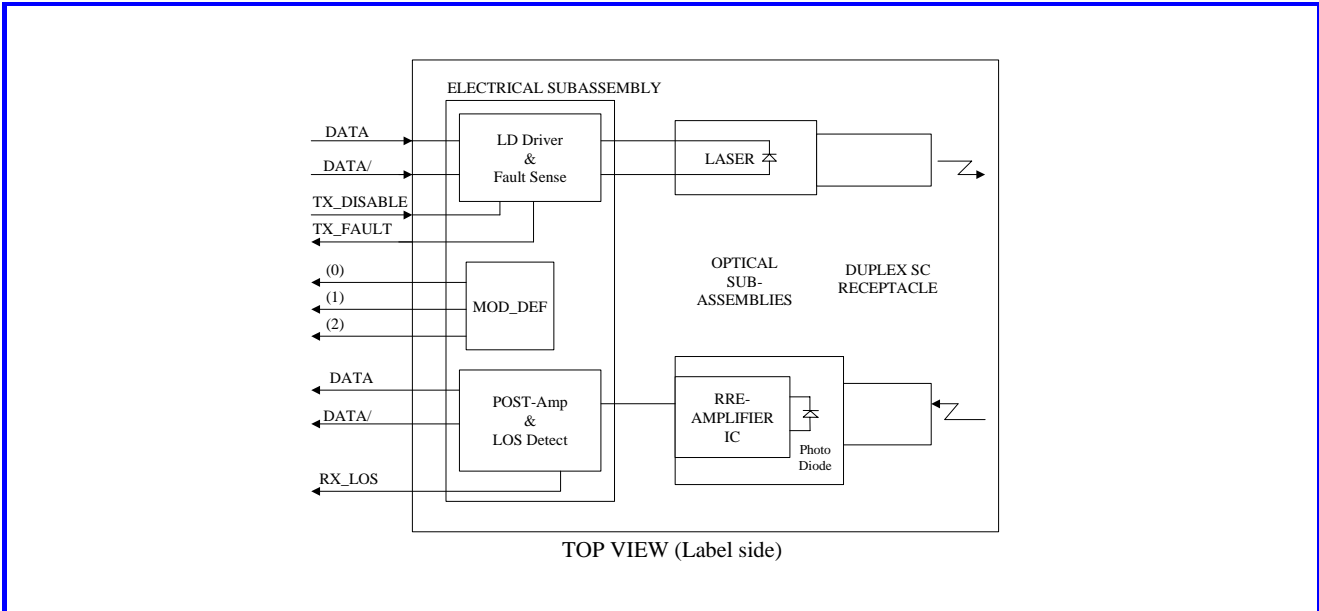
$V_{CC} = 3.1 \text{ V to } 3.5 \text{ V}, T_C = 0^\circ \text{C to } 70^\circ \text{C} (-40^\circ \text{C to } 85^\circ \text{C})$

PARAMETER	SYMBOL	MIN	TYP.	MAX	UNITS	NOTE
Data Rate	$B$	---	622	700	Mb/s	
Optical Input Power -maximum	$P_{IN}$	-3	---	---	dBm	PRBS23, BER < $10^{-10}$
RX Sensitivity @OC-12	$P_{IN}$	---	---	-28	dBm	PRBS23, BER < $10^{-10}$
Operating Center Wavelength	$\lambda_C$	1260	---	1600	nm	
Data Output Rise, Fall Time (20%~80%)	$T_{r,f}$	---	---	0.5	ns	
Loss of Signal-Asserted	$P_A$	---	---	-28	dBm	Average
Loss of Signal-Deasserted	$P_D$	-45	---	---	dBm	Average
Loss of Signal-Hysteresis	$P_A - P_D$	1.0	---	---	dB	
Differential Output Voltage	$V_{DIFF}$	0.5	---	1.2	V	
Receiver Loss of Signal Output Voltage-Low	$RX\_LOS_L$	0	---	0.5	V	
Receiver Loss of Signal Output Voltage-High	$RX\_LOS_H$	2.4	---	$V_{CC}$	V	



**RoHS Compliant**  
**1310 nm Single-mode Transceiver (L4.1)**  
**Small Form Pluggable (SFP), with Diagnostic Monitoring**  
**622 Mbps SONET OC-12/SDH STM-4**

**Block Diagram of Transceiver**



**Transmitter Section**

The transmitter section consists of a 1310 nm InGaAsP laser in an eye safe optical subassembly (OSA) which mates to the fiber cable. The laser OSA is driven by a LD driver IC which converts differential input LVPECL logic signals into an analog laser driving current.

**TX\_DISABLE**

The TX\_DISABLE signal is high (TTL logic “1”) to turn off the laser output. The laser will turn on when TX\_DISABLE is low (TTL logic “0”).

**Receiver Section**

The receiver utilizes an InGaAs PIN photodiode mounted together with a trans-impedance preamplifier IC in an OSA. This OSA is connected to a circuit providing post-amplification quantization, and optical signal detection.

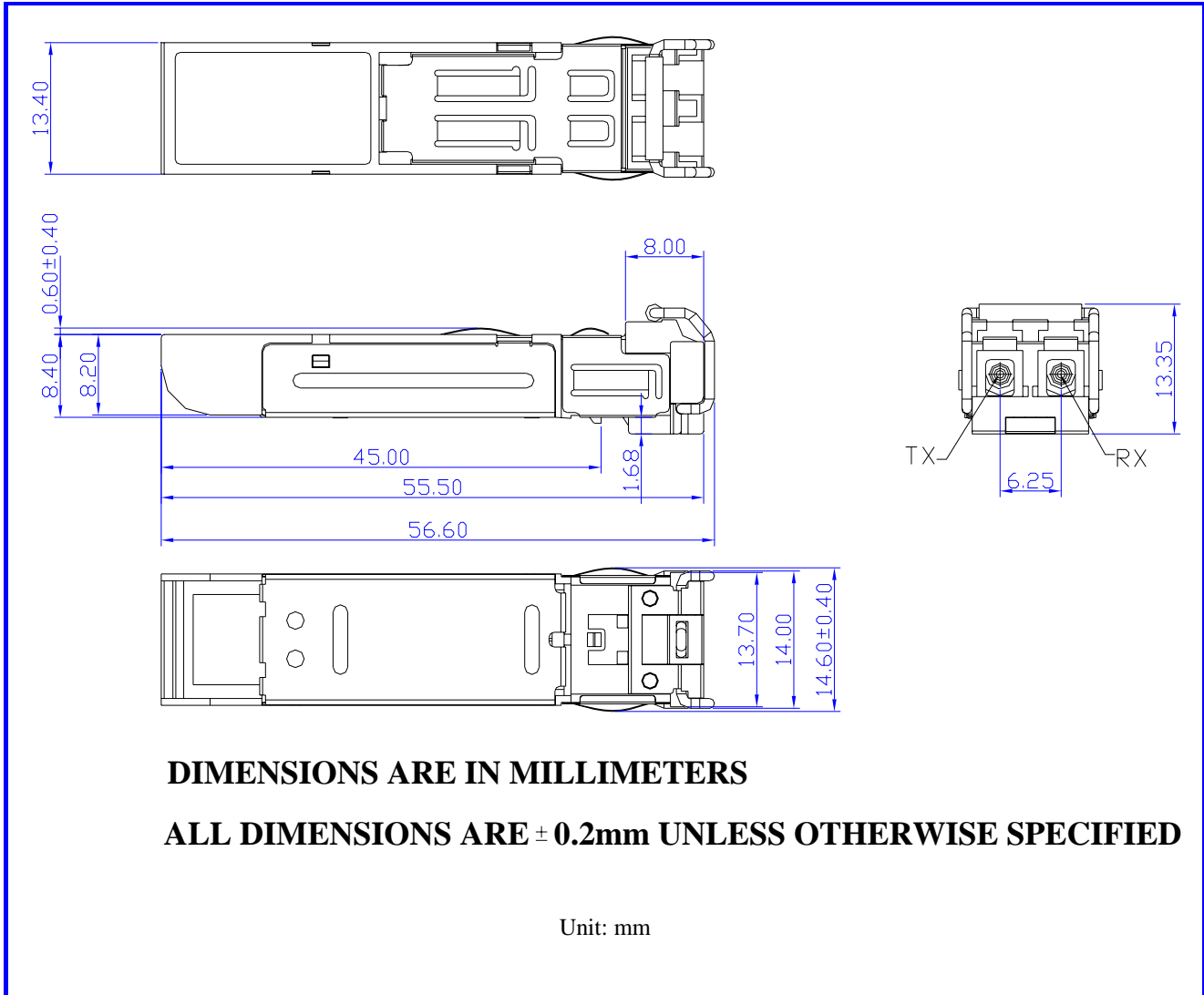
**Receive Loss (RX\_LOS)**

The RX\_LOS is high (logic “1”) when there is no incoming light from the companion transceiver. This signal is normally used by the system for the diagnostic purpose. The signal is operated in TTL level.



**RoHS Compliant**  
**1310 nm Single-mode Transceiver (L4.1)**  
**Small Form Pluggable (SFP), with Diagnostic Monitoring**  
**622 Mbps SONET OC-12/SDH STM-4**

**Dimensions**



**DIMENSIONS ARE IN MILLIMETERS**

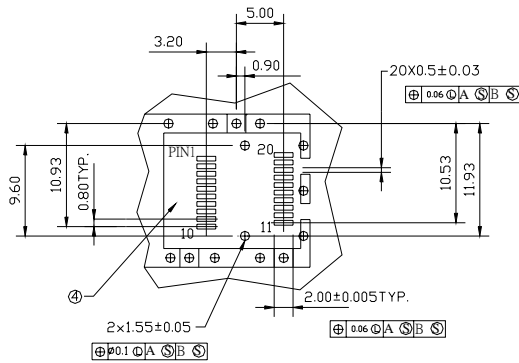
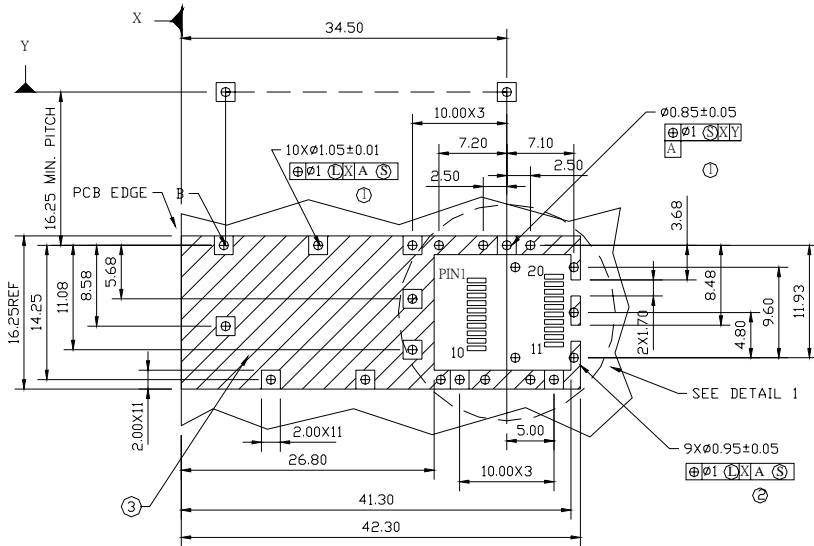
**ALL DIMENSIONS ARE ± 0.2mm UNLESS OTHERWISE SPECIFIED**

Unit: mm



**RoHS Compliant**  
**1310 nm Single-mode Transceiver (L4.1)**  
**Small Form Pluggable (SFP), with Diagnostic Monitoring**  
**622 Mbps SONET OC-12/SDH STM-4**

**SFP host board mechanical layout**



DETAIL 1

**LEGEND**

- 1.PADS AND VIAS ARE CHASSIS GROUND
- 2.THROUGH HOLES, PLATING OPTIONAL
- 3.HATCHED AREA DENOTES COMPONENT AND TRACE KEEPOUT(EXCEPT CHASSIS GROUND)
- 4.AREA DENOTES COMPONENT KEEPOUT (TRACES ALLOWED)

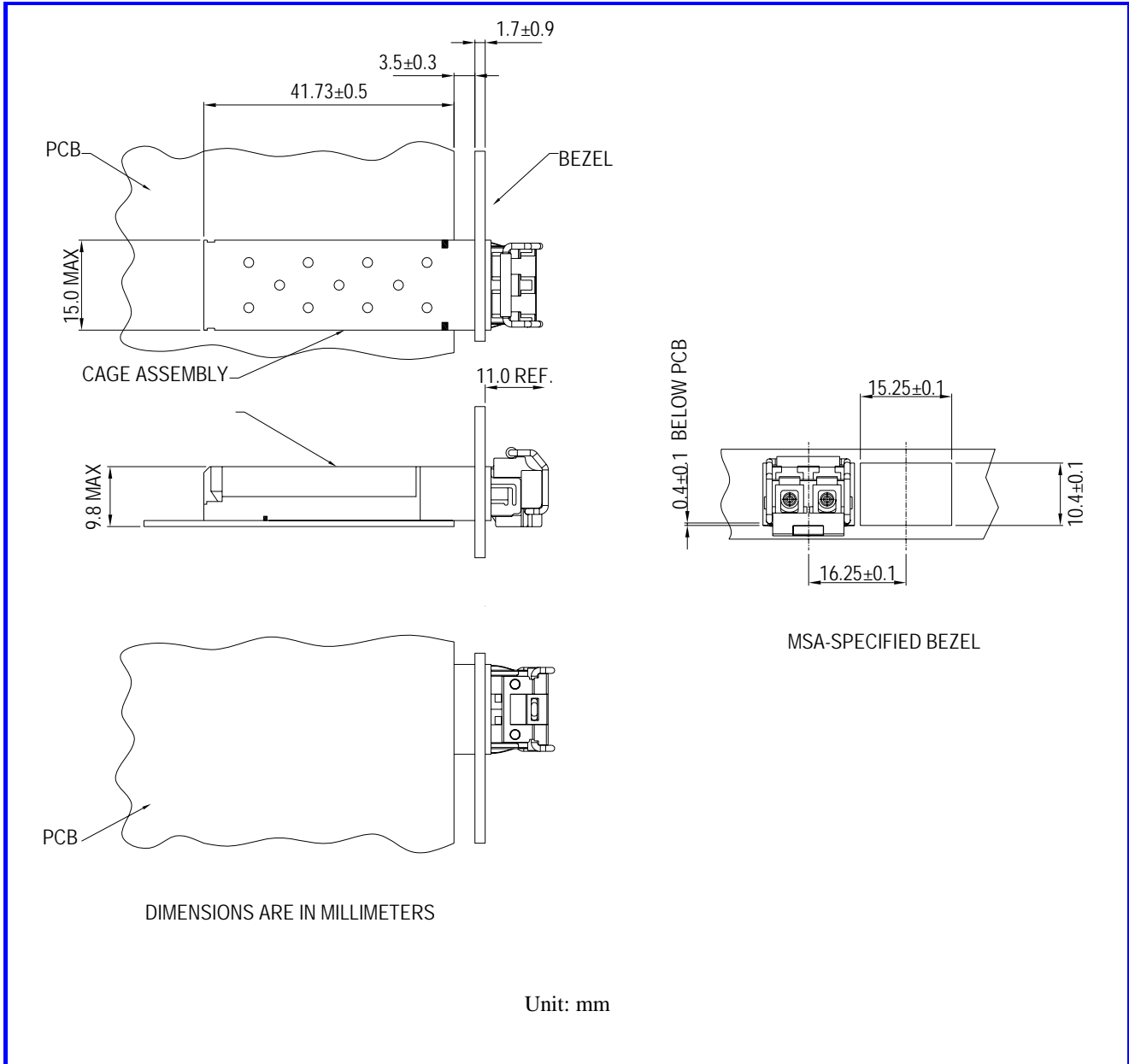
DIMENSIONS ARE IN MILLIMETERS

Unit: mm



**RoHS Compliant**  
**1310 nm Single-mode Transceiver (L4.1)**  
**Small Form Pluggable (SFP), with Diagnostic Monitoring**  
**622 Mbps SONET OC-12/SDH STM-4**

**Assembly drawing**



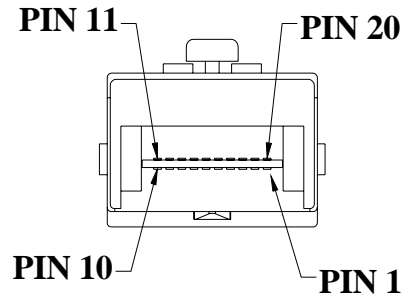




**RoHS Compliant**  
**1310 nm Single-mode Transceiver (L4.1)**  
**Small Form Pluggable (SFP), with Diagnostic Monitoring**  
**622 Mbps SONET OC-12/SDH STM-4**

**Pin Assignment**

Pin-Out



Pin	Signal Name	Description
1	$T_{GND}$	Transmit Ground
2	$TX\_FAULT$	Transmit Fault
3	$TX\_DISABLE$	Transmit Disable
4	$MOD\_DEF (2)$	SDA Serial Data Signal
5	$MOD\_DEF (1)$	SCL Serial Clock Signal
6	$MOD\_DEF (0)$	TTL Low
7	$RATE\_SELECT$	Open Circuit
8	$RX\_LOS$	Receiver Loss of Signal, TTL High, open collector
9	$R_{GND}$	Receiver Ground
10	$R_{GND}$	Receiver Ground
11	$R_{GND}$	Receiver Ground
12	$RX-$	Receive Data Bar, Differential PECL, ac coupled
13	$RX+$	Receive Data, Differential PECL, ac coupled
14	$R_{GND}$	Receiver Ground
15	$V_{CCR}$	Receiver Power Supply
16	$V_{CCT}$	Transmitter Power Supply
17	$T_{GND}$	Transmitter Ground
18	$TX+$	Transmit Data, Differential PCEL, ac coupled
19	$TX-$	Transmit Data Bar, Differential PCEL, ac coupled
20	$T_{GND}$	Transmitter Ground



**RoHS Compliant**  
**1310 nm Single-mode Transceiver (L4.1)**  
**Small Form Pluggable (SFP), with Diagnostic Monitoring**  
**622 Mbps SONET OC-12/SDH STM-4**

---

**Eye Safety Mark**

<p>The LS3 series Single-mode transceiver is a class 1 laser product. It complies with EN 60825-1 and FDA 21 CFR 1040.10 and 1040.11. In order to meet laser safety requirements the transceiver shall be operated within the Absolute Maximum Ratings.</p> <p><b><u>Caution</u></b> All adjustments have been done at the factory before the shipment of the devices. No maintenance and user serviceable part is required. Tampering with and modifying the performance of the device will result in voided product warranty.</p>	<p><b><u>Required Mark</u></b></p> <div style="border: 1px solid black; padding: 5px; text-align: center;"><p>Class 1 Laser Product Complies with 21 CFR 1040.10 and 1040.11</p></div>
---	--

Note : All information contained in this document is subject to change without notice.