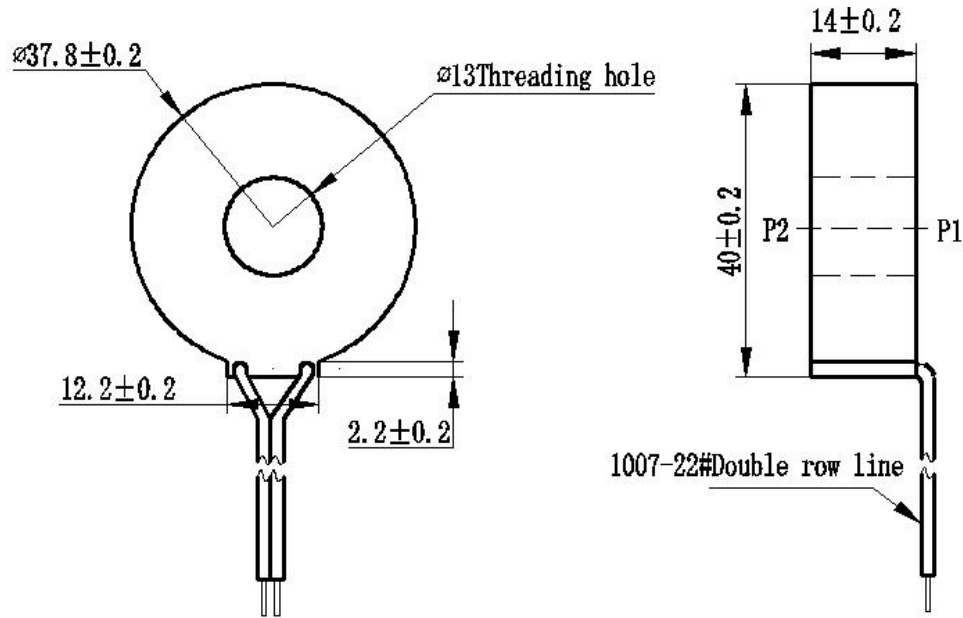


ZEMCT303B-2 Current Transformer

Mainly for motor soft-start current sampling

Structural parameters:



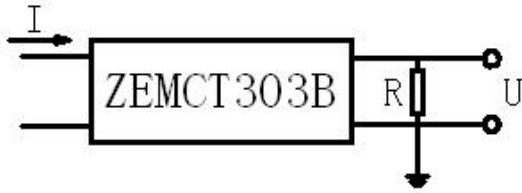
Front View

Lateral view

The main technical parameters:

| | |
|-----------------------|---|
| Model | ZEMCT303B-2 |
| input current | 0~800A (sampling resistor 5Ω) |
| Rated output current | 2.5mA at input 5A |
| Turns ratio | 2000:1 |
| phase angle error | ≤200' (input 10A, sampling resistor 5Ω) |
| linearity | ≤3%(5%~120%) |
| Permissible error | -3% ≤ f ≤ 0 (input 10A, sampling resistor 5Ω) |
| Output leads | Blue, black (same polarity: P1 and blue wire) |
| application | motor soft-start current sampling |
| Encapsulation | Epoxy |
| installation | Straight-through type |
| operating temperature | -40°C~+85°C |

Direction for use:



$$U = \frac{I}{2000} \cdot R$$

I: input current

R: sampling resistor

U: sampling volatge

1. ZEMCT303B used for protection. Typical usage as shown.