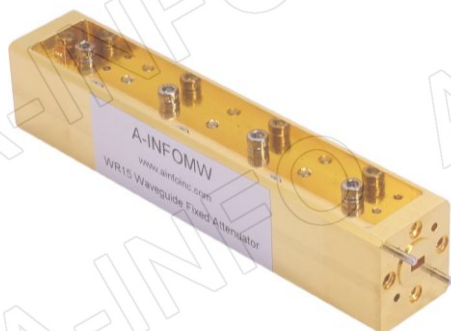
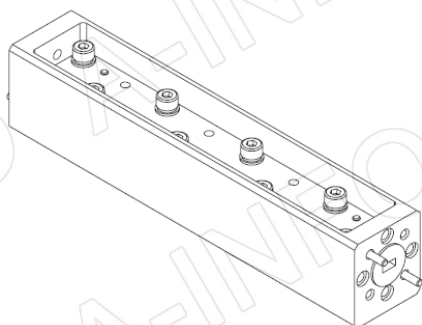
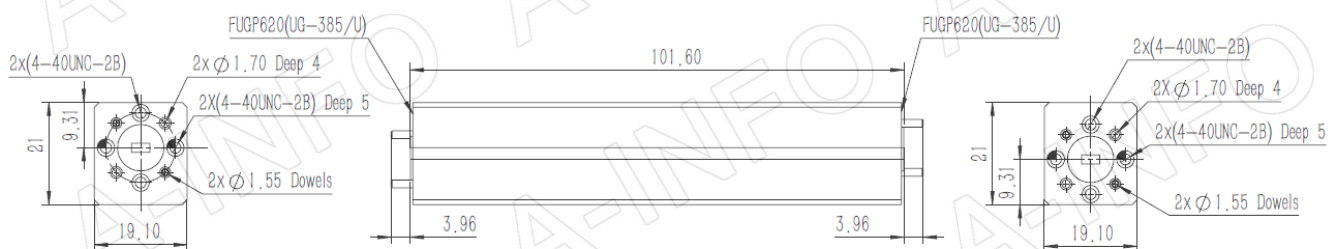


## Technical Specification



EIA WR	WR15
Frequency Range(GHz)	50.0 - 75.0
Attenuation(dB)	3
Attenuation Accuracy(dB)	±1 Max.
VSWR	1.25:1 Max.
Power Handling(W CW)	1
Flange	FUGP620(UG-385/U)
Material	Cu
Size(mm)	101.6 x 19.1 x 21
Net Weight(Kg)	0.16 Around

## Outline Drawing (Size: mm)



AINFO Inc.

Page 1 of 3

China(Beijing):  
China(Chengdu):  
USA :

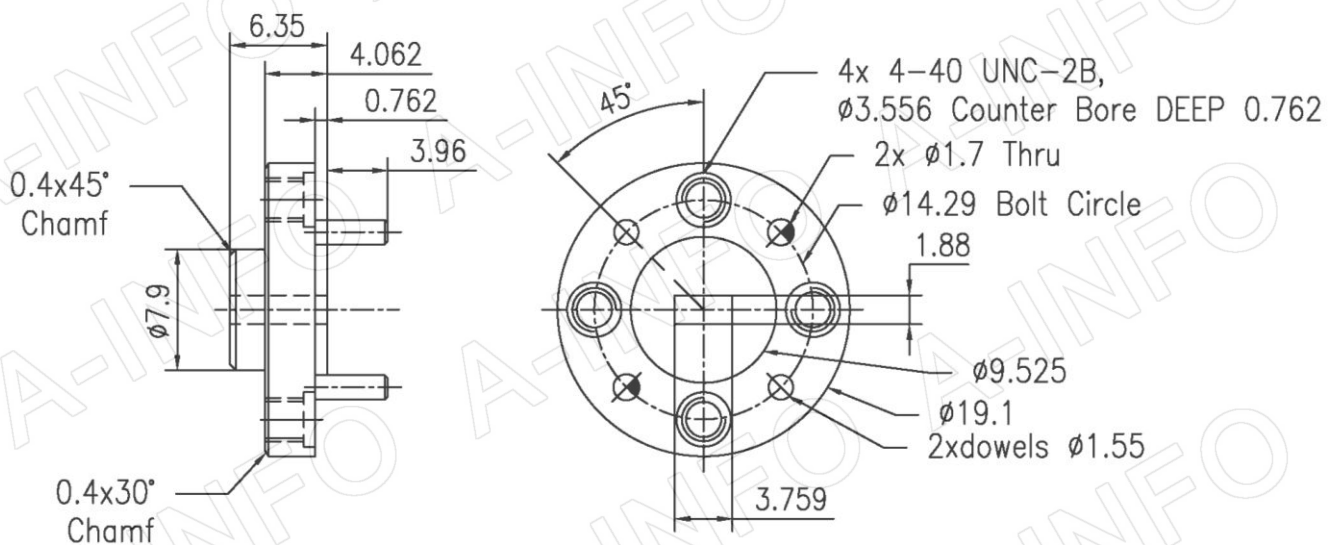
Tel: (+86) 10-6266-7326,  
Tel: (+86) 28-8519-2786,  
Tel: (+1) 949-639-9688,

(+86) 10-6266-7327  
(+86) 28-8519-3044  
(+1) 949-639-9608

Fax: (+86) 10-6266-7379  
Fax: (+86) 28-8519-3068  
Fax: (+1) 949-639-9670

Website: [www.ainfoinc.com](http://www.ainfoinc.com)  
Email: [sales@ainfoinc.com](mailto:sales@ainfoinc.com)

## Flange Drawing (Size: mm)



FUGP620  
(equivalent to UG-385/U)

AINFO Inc.

Page 2 of 3

China(Beijing):  
China(Chengdu):  
USA :

Tel: (+86) 10-6266-7326,  
Tel: (+86) 28-8519-2786,  
Tel: (+1) 949-639-9688,

(+86) 10-6266-7327  
(+86) 28-8519-3044  
(+1) 949-639-9608

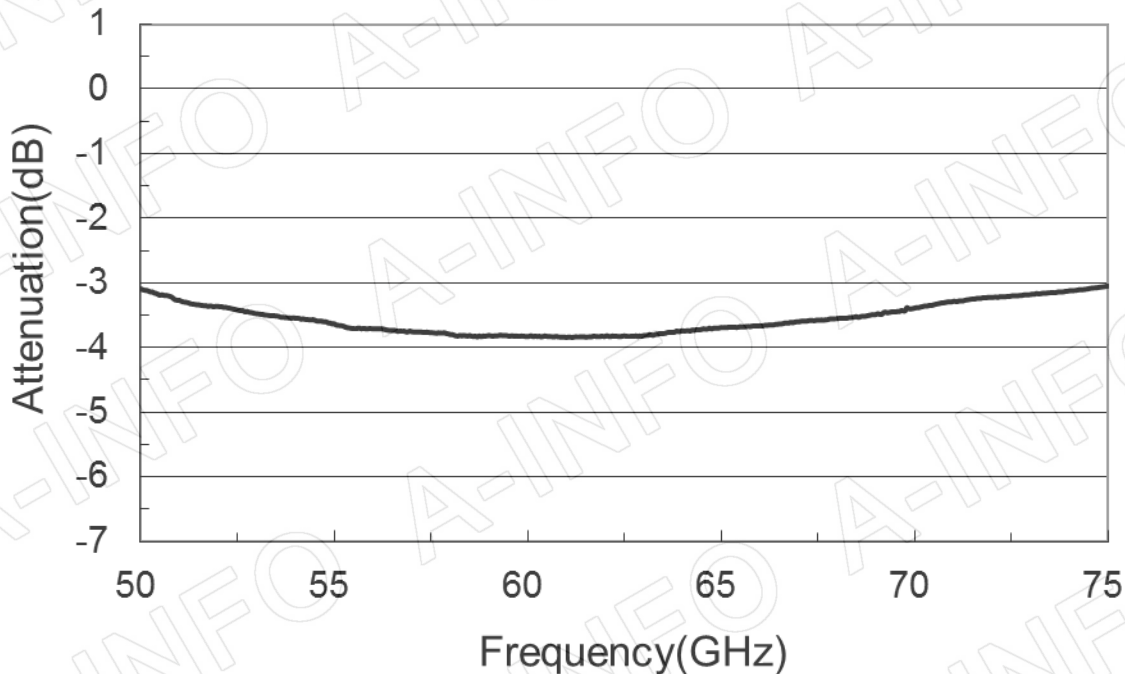
Fax: (+86) 10-6266-7379  
Fax: (+86) 28-8519-3068  
Fax: (+1) 949-639-9670

Website: [www.ainfoinc.com](http://www.ainfoinc.com)  
Email: [sales@ainfoinc.com](mailto:sales@ainfoinc.com)

## Test Result

### Attenuation

Max: -3.048 dB Min: -3.844 dB Mean: -3.548 dB



### VSWR

Port1 Max: 1.115 Port2 Max: 1.116

— Port1 — Port2

