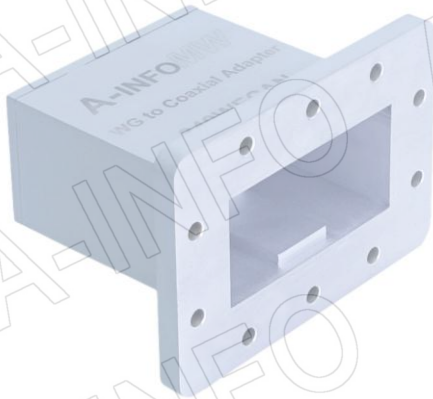


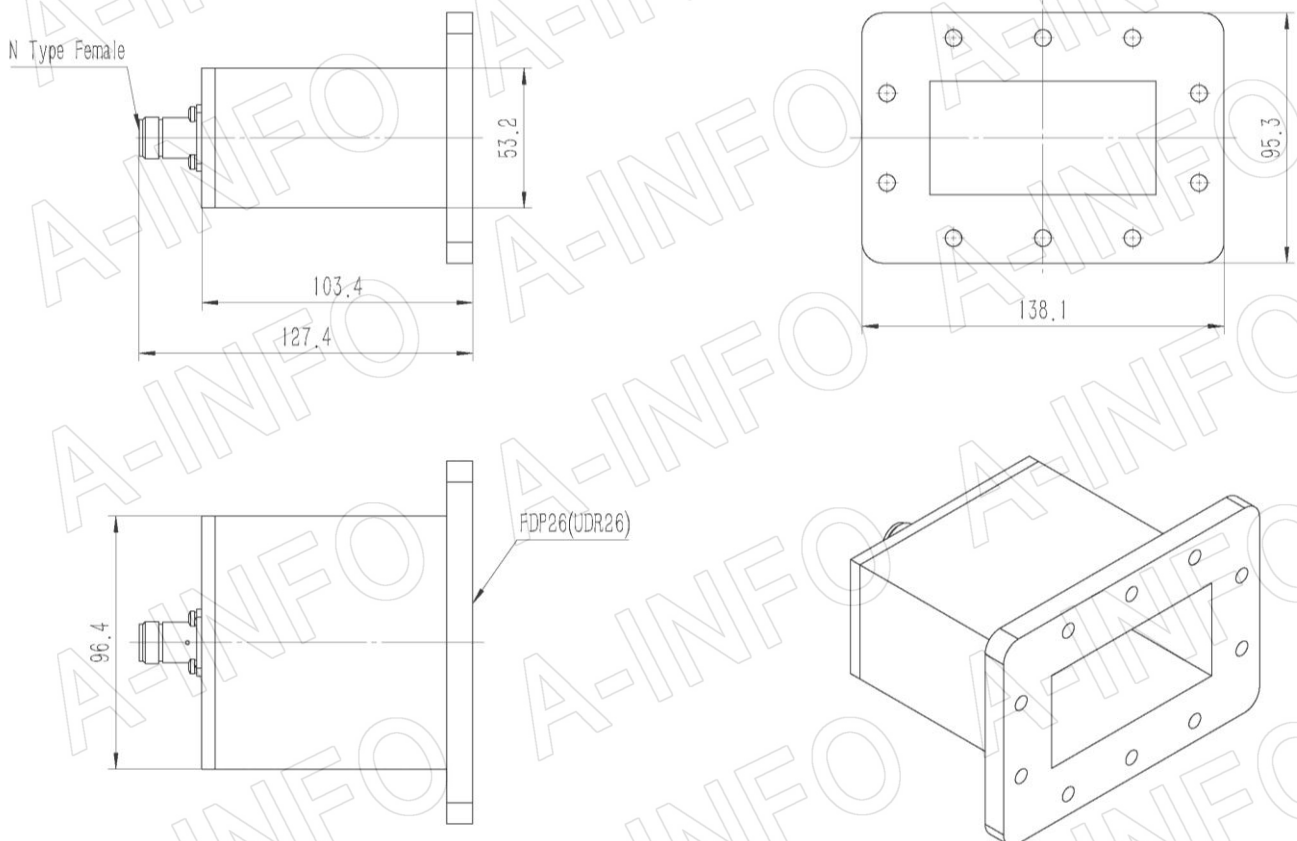
For reference only. See data sheet for the detailed specifications.

Technical Specification



EIA WR	WR340
Frequency Range(GHz)	2.2 – 3.3
Insertion Loss(dB)	0.2 Max.
VSWR	1.25:1 Max.
Flange	FDP26(UDR26)
Connector	N-Female
Average Power(W CW)	300 Max.
Peak Power(KW)	3
Material	Al
Size(mm)	127.4 x 138.1 x 95.3
Net Weight(Kg)	0.78 Around

Outline Drawing (Size: mm)



AINFO Inc.

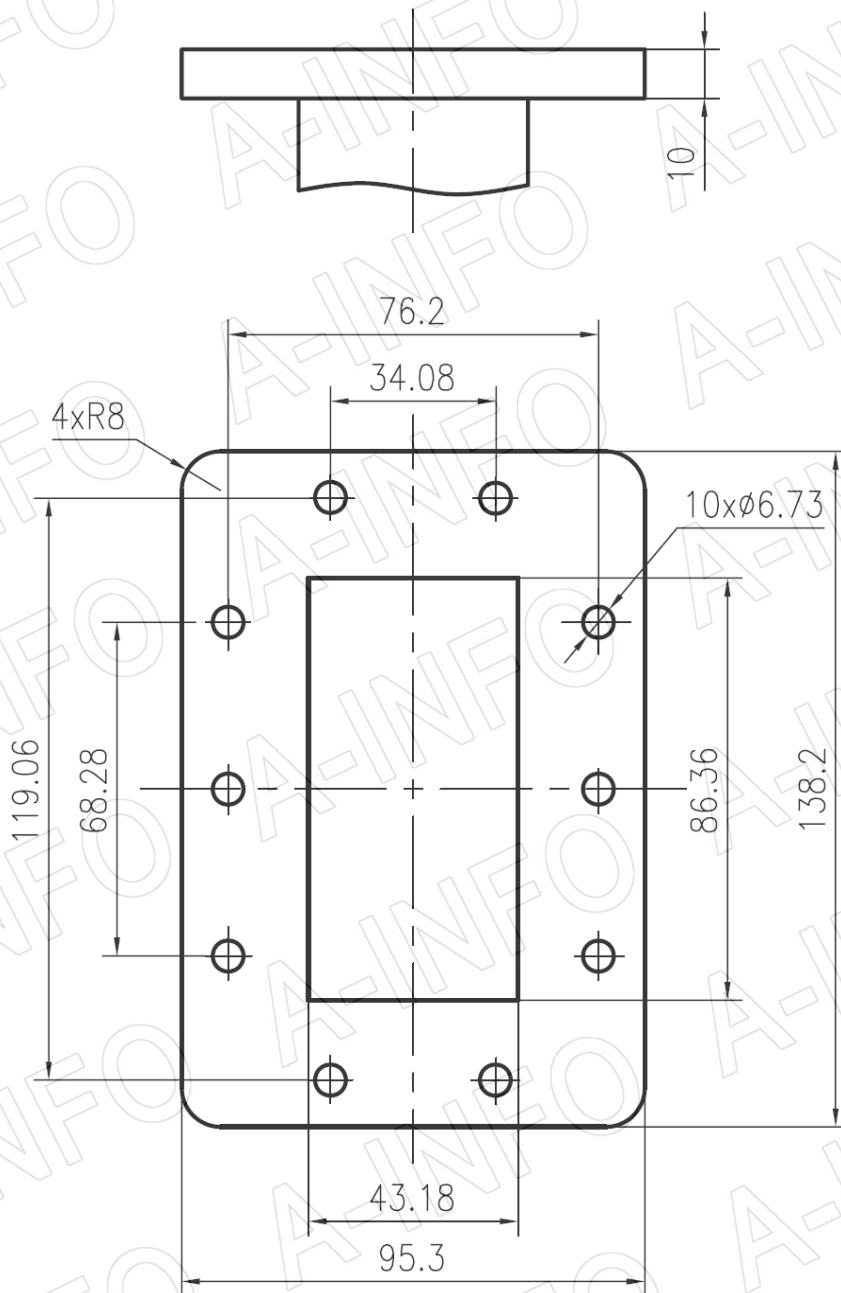
China(Beijing): Tel: (+86) 10-6266-7326,
 China(Chengdu): Tel: (+86) 28-8519-2786,
 USA: Tel: (+1) 949-639-9688,

Page 1 of 3

(+86) 10-6266-7327 Fax: (+86) 10-6266-7379
 (+86) 28-8519-3044 Fax: (+86) 28-8519-3068
 (+1) 949-639-9608 Fax: (+1) 949-639-9670

Website: www.ainfoinc.com
 Email: sales@ainfoinc.com

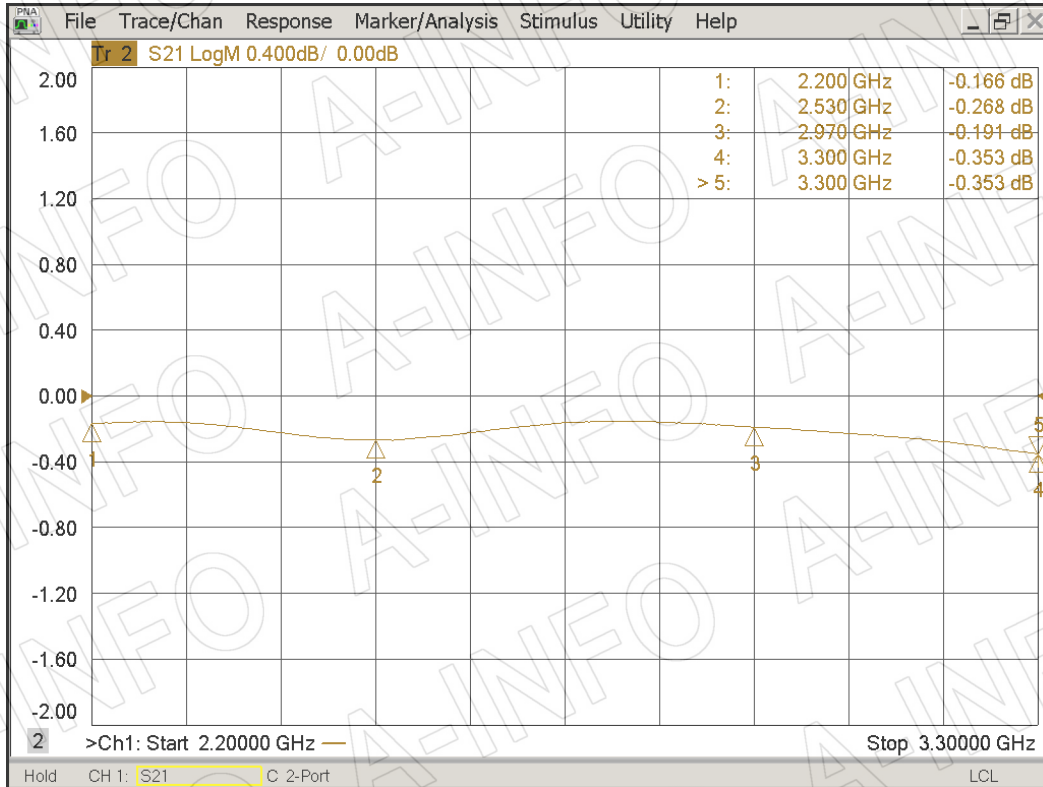
Flange Drawing (Size: mm)



FDP26

Test results

I. L. (Test with two adapters back to back)



VSWR

