

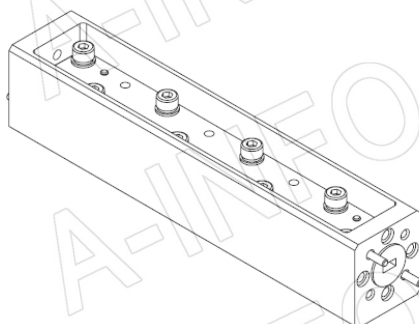
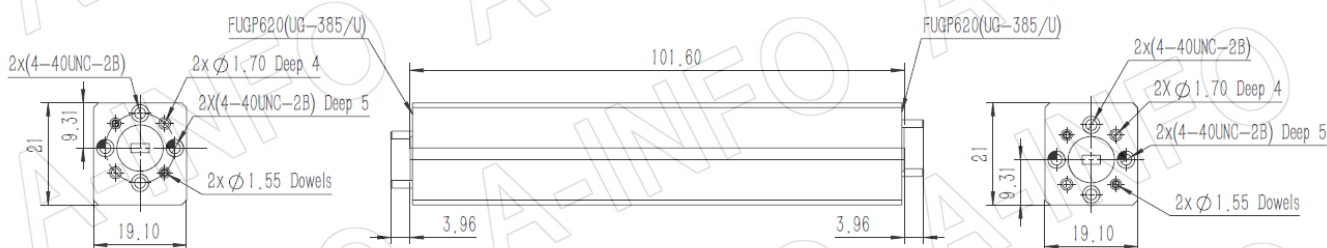
For reference only. See data sheet for the detailed specifications.

Technical Specification

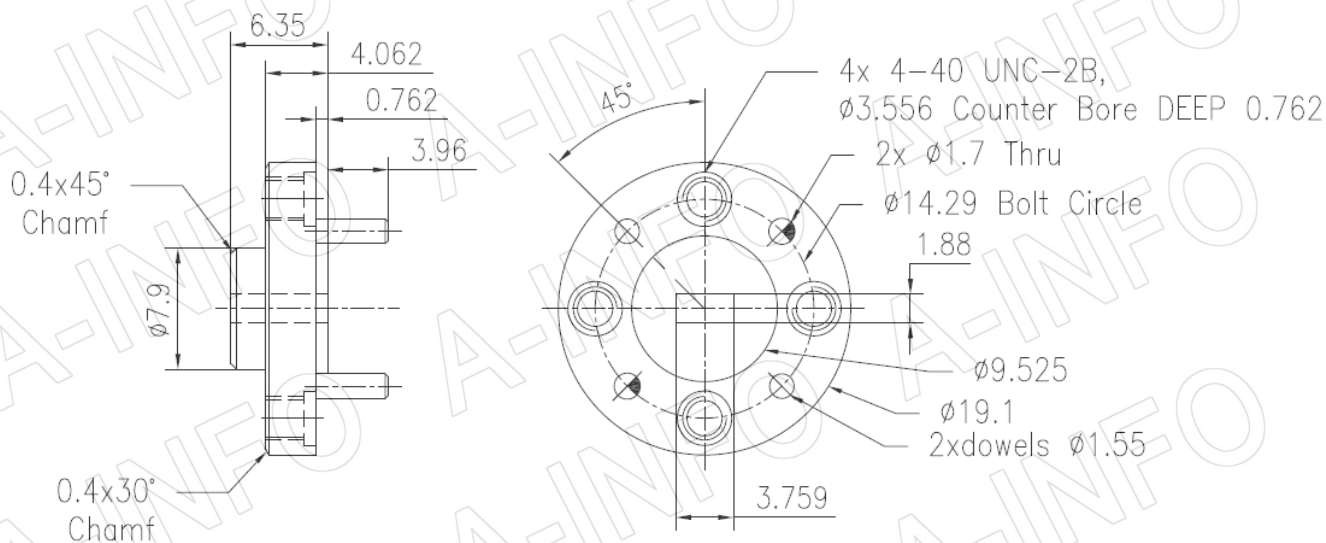


EIA WR	WR15
Frequency Range(GHz)	50.0 – 75.0
Attenuation(dB)	20
Attenuation Accuracy(dB)	±1.3 Max.
Attenuation Sensitivity(dB)	±0.9 Max.
VSWR	1.20:1 Max.
Average Power(W CW)	3
Peak Power(KW)	1.5
Flange	FUGP620(UG-385/U)
Material	Cu
Size(mm)	101.6 x 19.1 x 21
Net Weight(Kg)	0.16 Around

Outline Drawing (Size: mm)



Flange Drawing (Size: mm)

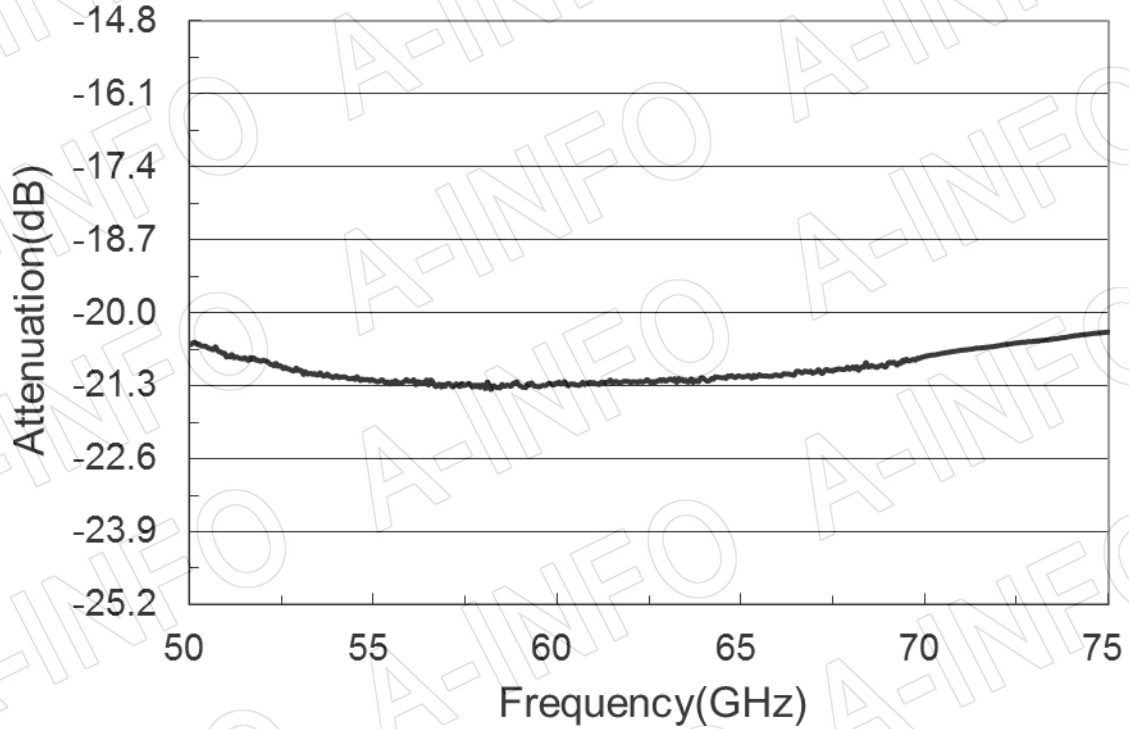


FUGP620
(equivalent to UG-385/U)

Test Results

Attenuation

Max: -20.340 dB Min: -21.364 dB Mean: -20.917 dB



VSWR

Port1 Max: 1.162 Port2 Max: 1.120

