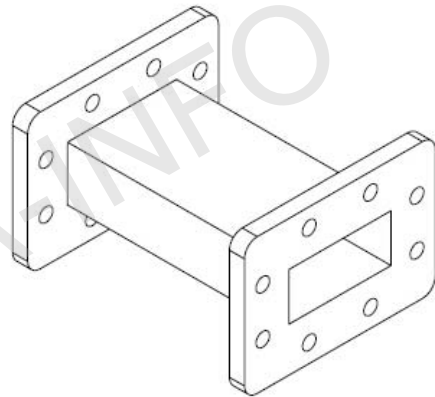
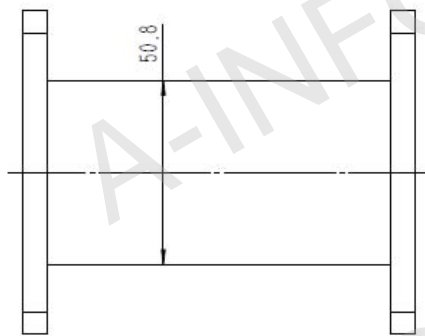
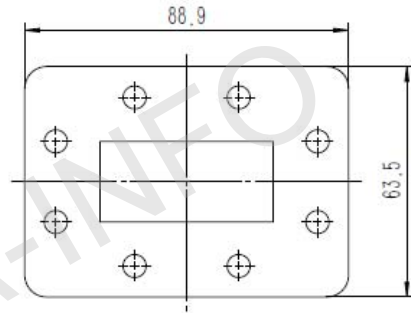


Technical Specification

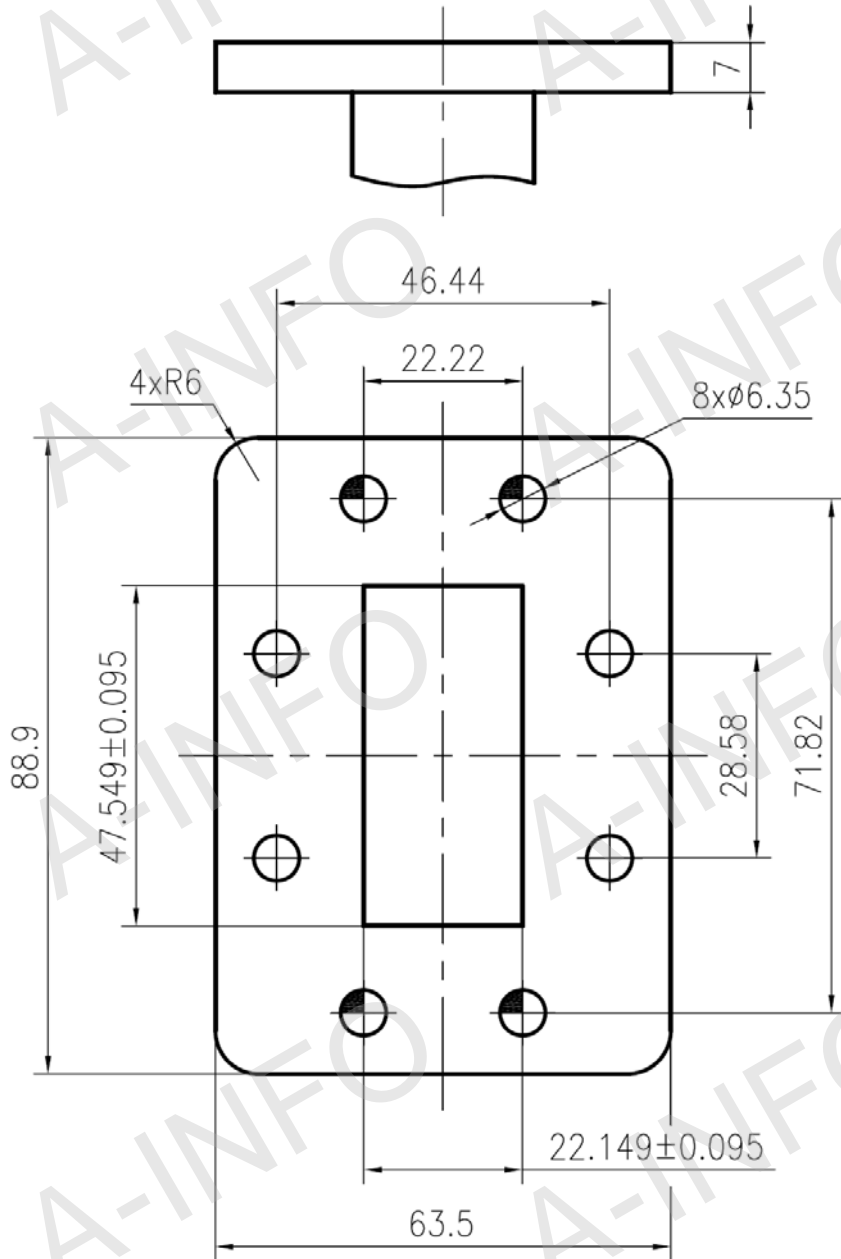


EIA WR	WR187
Frequency Range(GHz)	3.95-5.85
Insertion Loss(dB)	0.1 Max.
VSWR	1.05:1 Max.
Flange	FDP48(UDR48)
Material	Al
Length(mm)	200
Net Weight(Kg)	0.28 Around

Outline Drawing (Size: mm)



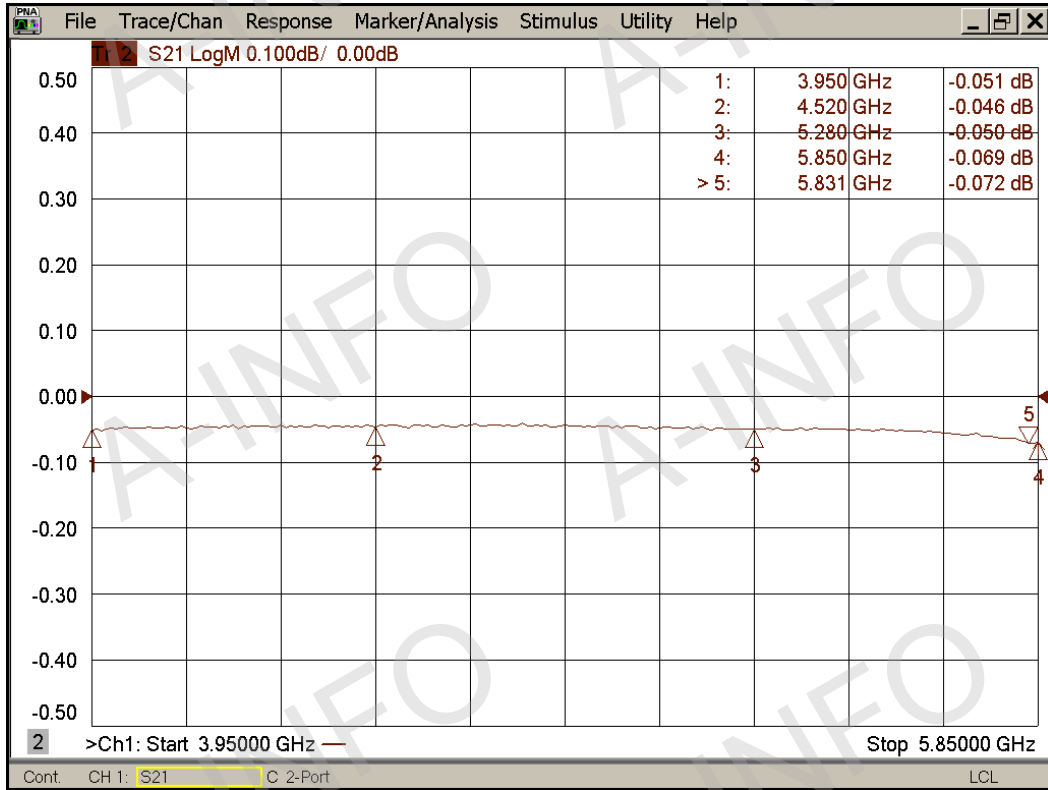
Flange Drawing (Size: mm)



FDP48

Test Results

I.L.



VSWR

