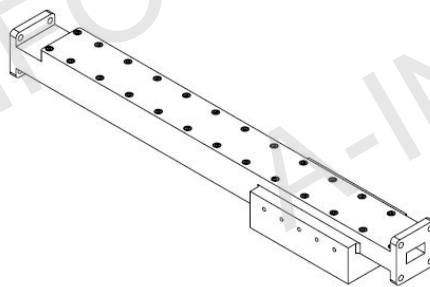
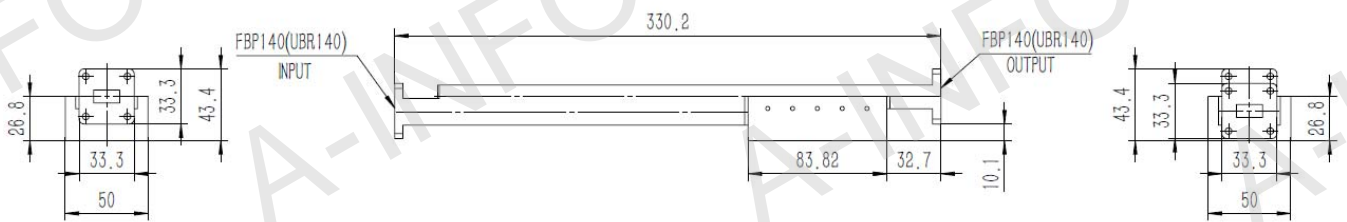


Technical Specification

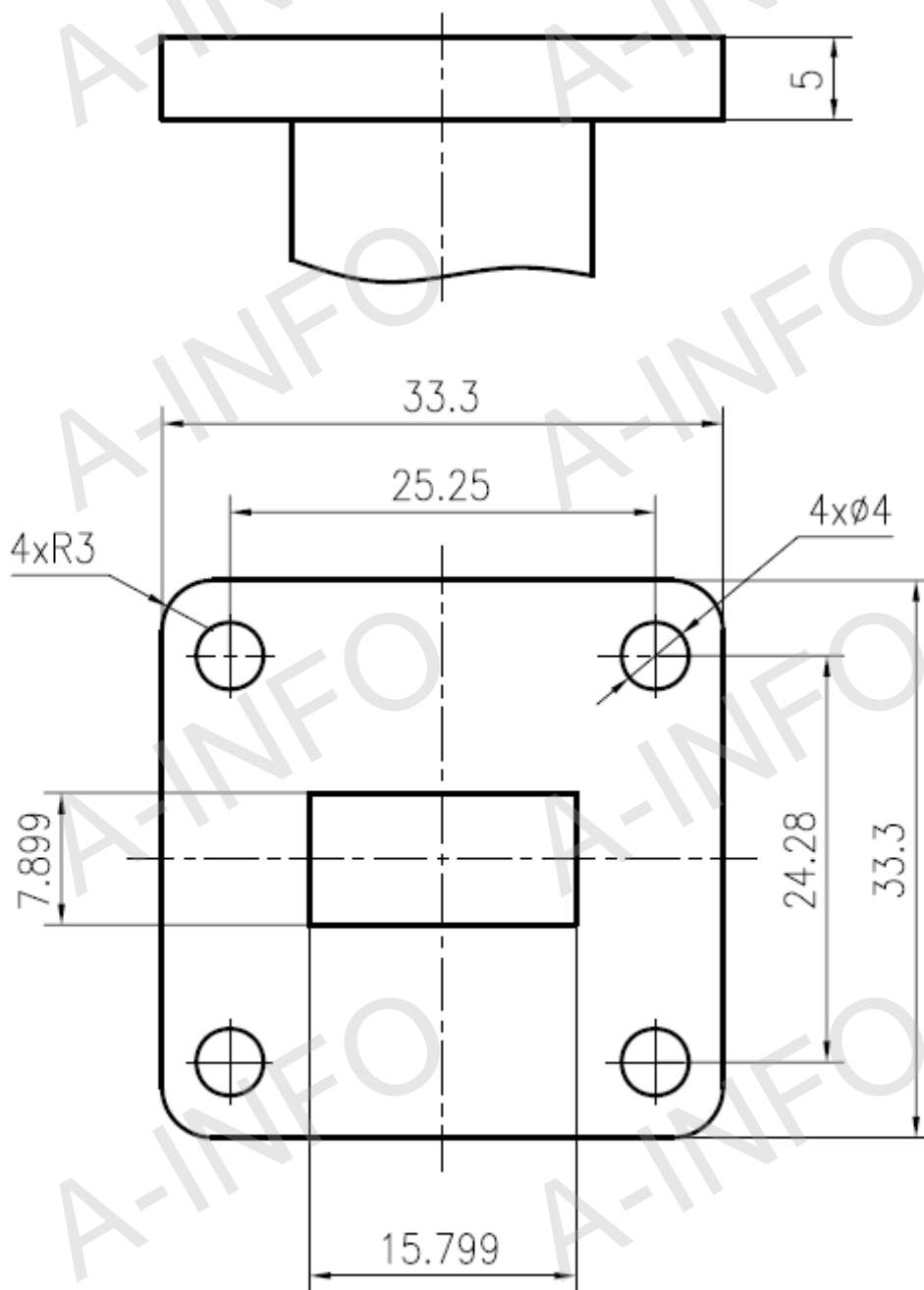


| | |
|-----------------------------|-------------------|
| EIA WR | WR62 |
| Frequency Range(GHz) | 12.4-18.0 |
| Attenuation(dB) | 30 |
| Attenuation Accuracy(dB) | ±0.9 Max. |
| Attenuation Sensitivity(dB) | ±0.7 Max. |
| VSWR | 1.15:1 Max. |
| Average Power(W) | 100 CW |
| Peak Power(KW) | 200 |
| Flange | FBP140(UBR140) |
| Material | Al |
| Size(mm) | 330.2 x 50 x 43.4 |
| Net Weight(Kg) | 0.7 Around |

Outline Drawing (Size: mm)



Flange Drawing (Size: mm)



FBP140

AINFO Inc.

Page 2 of 3

China(Beijing):
China(Chengdu):
USA :

Tel: (+86) 10-6266-7326,
Tel: (+86) 28-8519-2786,
Tel: (+1) 949-639-9688,

(+86) 10-6266-7327
(+86) 28-8519-3044
(+1) 949-639-9608

Fax: (+86) 10-6266-7379
Fax: (+86) 28-8519-3068
Fax: (+1) 949-639-9670

Website: www.ainfoinc.com
Email: sales@ainfoinc.com

Test Results

Attenuation & VSWR

