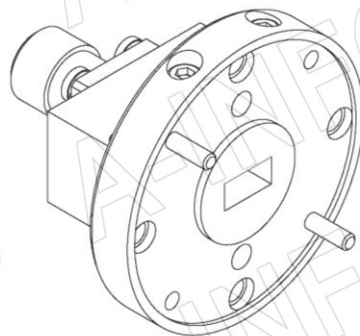
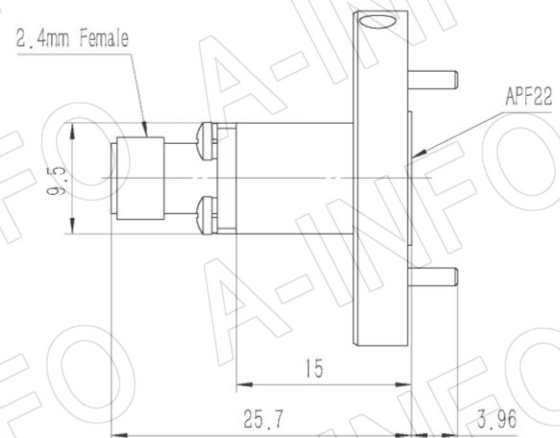
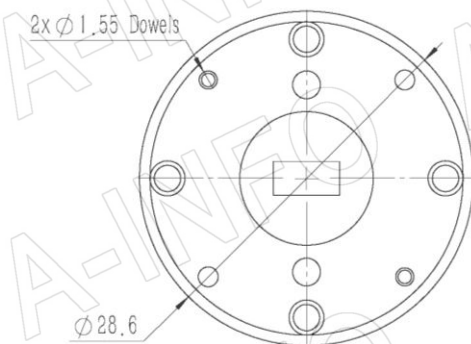


## Technical Specification



EIA WR	WR22
Frequency Range(GHz)	33.0 - 50.0
Insertion Loss(dB)	0.6 Max.
VSWR	1.50:1 Max.
Flange	APF22
Connector	2.4mm-Female
Average Power(W CW)	10 Max.
Peak Power(KW)	0.02
Material	Cu
Size(mm)	25.7 x 28.6 x 28.6
Net Weight(Kg)	0.03 Around

## Outline Drawing (Size: mm)



AINFO Inc.

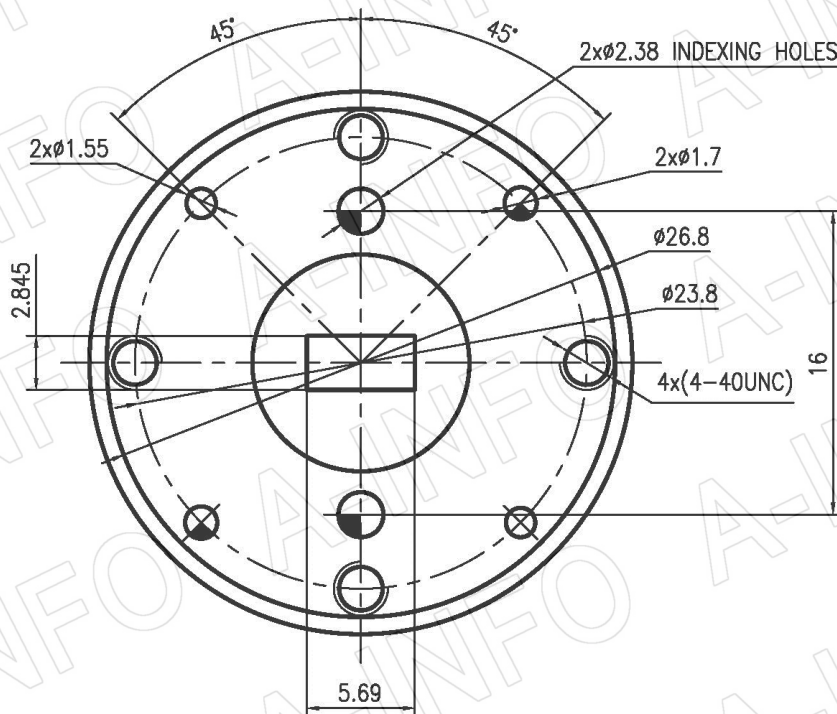
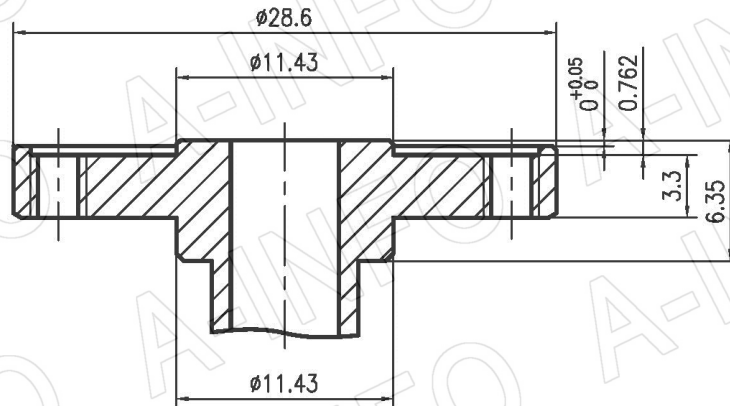
Page 1 of 3

China(Beijing): Tel: (+86) 10-6266-7326,  
 China(Chengdu): Tel: (+86) 28-8519-2786,  
 USA: Tel: (+1) 949-639-9688,

(+86) 10-6266-7327 Fax: (+86) 10-6266-7379  
 (+86) 28-8519-3044 Fax: (+86) 28-8519-3068  
 (+1) 949-639-9608 Fax: (+1) 949-639-9670

Website: [www.ainfoinc.com](http://www.ainfoinc.com)  
 Email: [sales@ainfoinc.com](mailto:sales@ainfoinc.com)

## Flange Drawing (Size: mm)



APF22

AINFO Inc.

Page 2 of 3

China(Beijing):  
China(Chengdu):  
USA :

Tel: (+86) 10-6266-7326,  
Tel: (+86) 28-8519-2786,  
Tel: (+1) 949-639-9688,

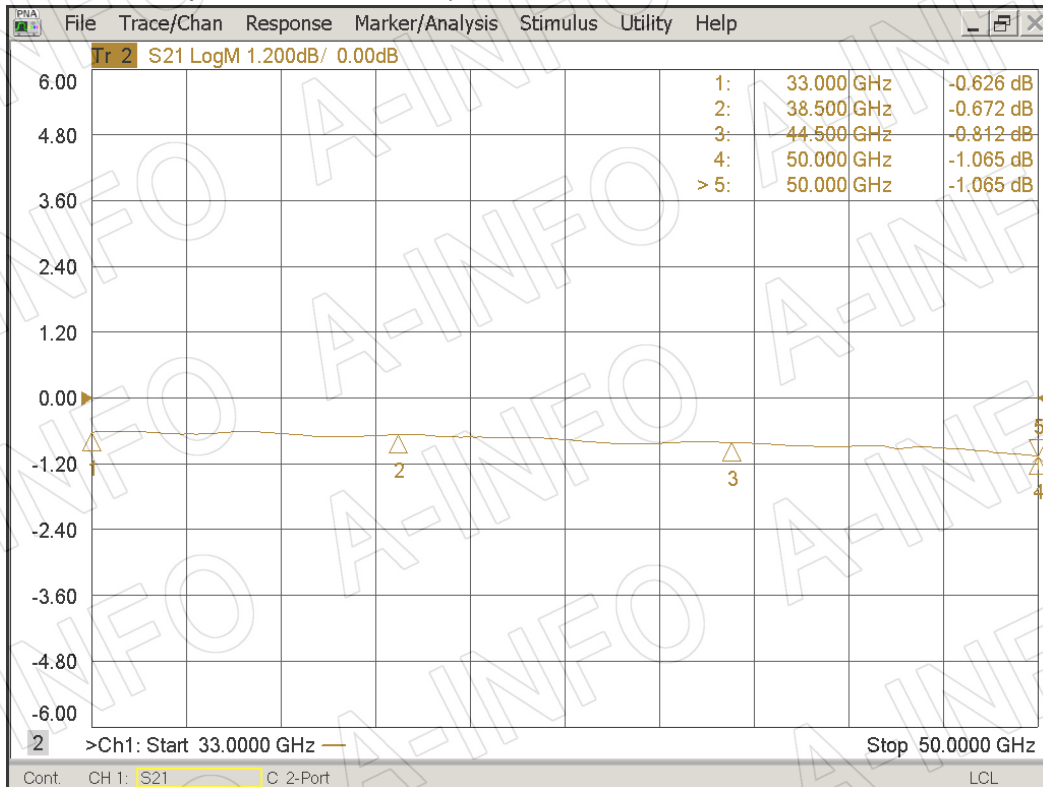
(+86) 10-6266-7327  
(+86) 28-8519-3044  
(+1) 949-639-9608

Fax: (+86) 10-6266-7379  
Fax: (+86) 28-8519-3068  
Fax: (+1) 949-639-9670

Website: [www.ainfoinc.com](http://www.ainfoinc.com)  
Email: [sales@ainfoinc.com](mailto:sales@ainfoinc.com)

## Test results

### I. L. (Test with two adapters back to back)



### VSWR

