

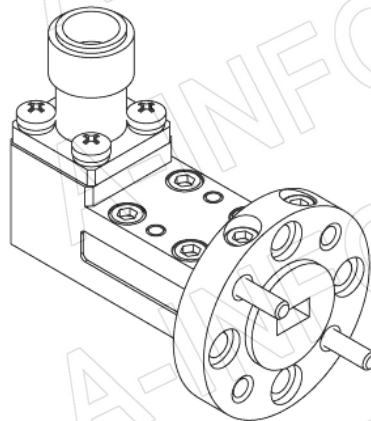
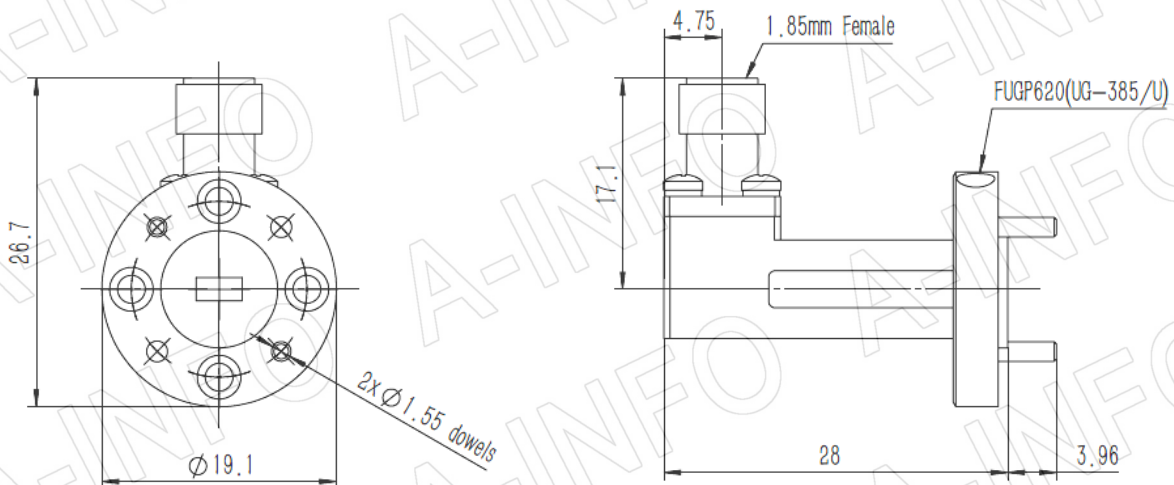
For reference only. See data sheet for the detailed specifications.

## Technical Specification



EIA WR	WR15
Frequency Range(GHz)	50.0 – 65.0
Insertion Loss(dB)	0.8 Max.
VSWR	1.50:1 Max.
Flange	FUGP620(UG-385/U)
Connector	1.85mm-Female
Average Power(W CW)	5 Max.
Peak Power(KW)	0.01
Material	Cu
Size(mm)	28 x 19.1 x 26.7
Net Weight(Kg)	0.03 Around

## Outline Drawing (Size: mm)



AINFO Inc.

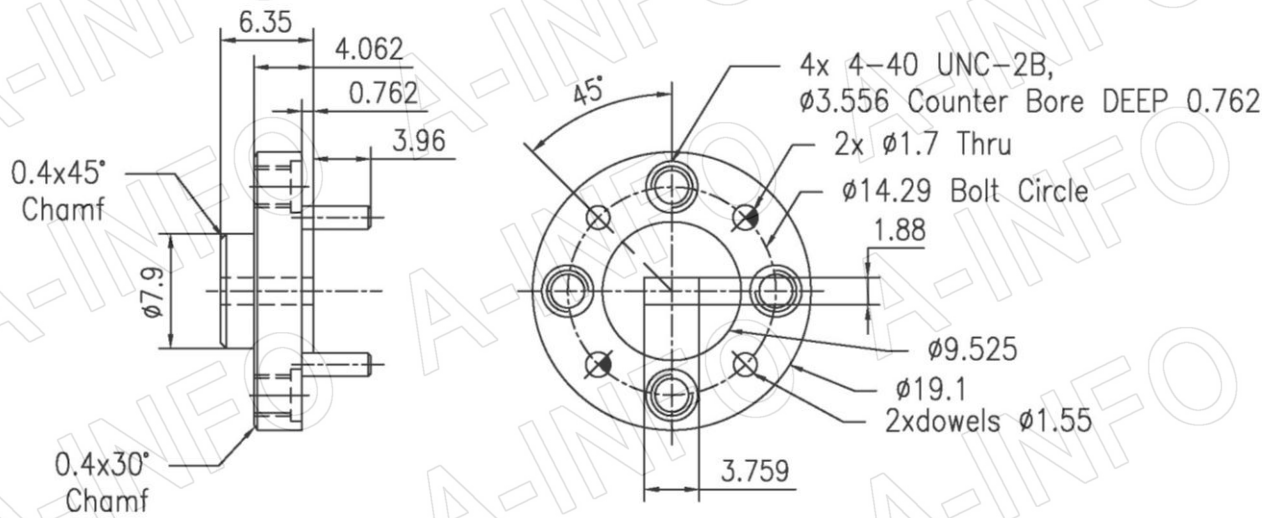
Page 1 of 3

China(Beijing): Tel: (+86) 10-6266-7326,  
 China(Chengdu): Tel: (+86) 28-8519-2786,  
 USA: Tel: (+1) 949-639-9688,

(+86) 10-6266-7327 Fax: (+86) 10-6266-7379  
 (+86) 28-8519-3044 Fax: (+86) 28-8519-3068  
 (+1) 949-639-9608 Fax: (+1) 949-639-9670

Website: [www.ainfoinc.com](http://www.ainfoinc.com)  
 Email: [sales@ainfoinc.com](mailto:sales@ainfoinc.com)

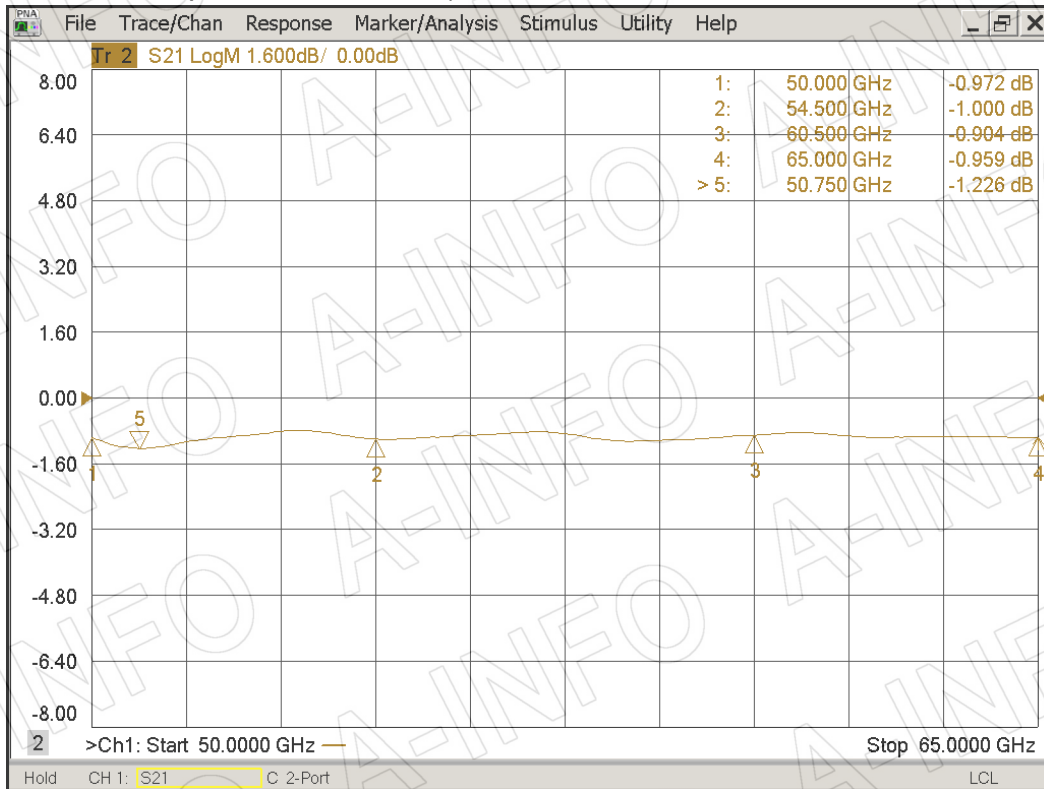
## Flange Drawing (Size: mm)



FUGP620  
(equivalent to UG-385/U)

## Test results

### I. L. (Test with two adapters back to back)



### VSWR

