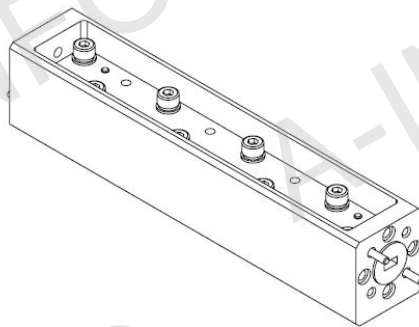
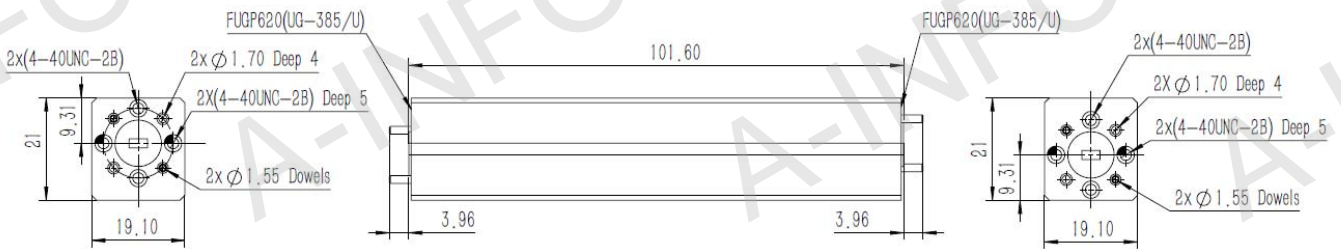


## Technical Specification



|                             |                     |
|-----------------------------|---------------------|
| EIA WR                      | WR15                |
| Frequency Range(GHz)        | 50.0 - 75.0         |
| Attenuation(dB)             | 6                   |
| Attenuation Accuracy(dB)    | ±1.3 Max.           |
| Attenuation Sensitivity(dB) | ±0.9 Max.           |
| VSWR                        | 1.15:1 Max.         |
| Average Power(W CW)         | 0.3                 |
| Peak Power(KW)              | 0.1                 |
| Flange                      | FUGP620(UG-385/U)   |
| Material                    | Cu                  |
| Size(mm)                    | 101.6 x 19.1 x 21.0 |
| Net Weight(Kg)              | 0.16 Around         |

## Outline Drawing (Size: mm)



AINFO Inc.

Page 1 of 3

China(Beijing):  
China(Chengdu):  
USA :

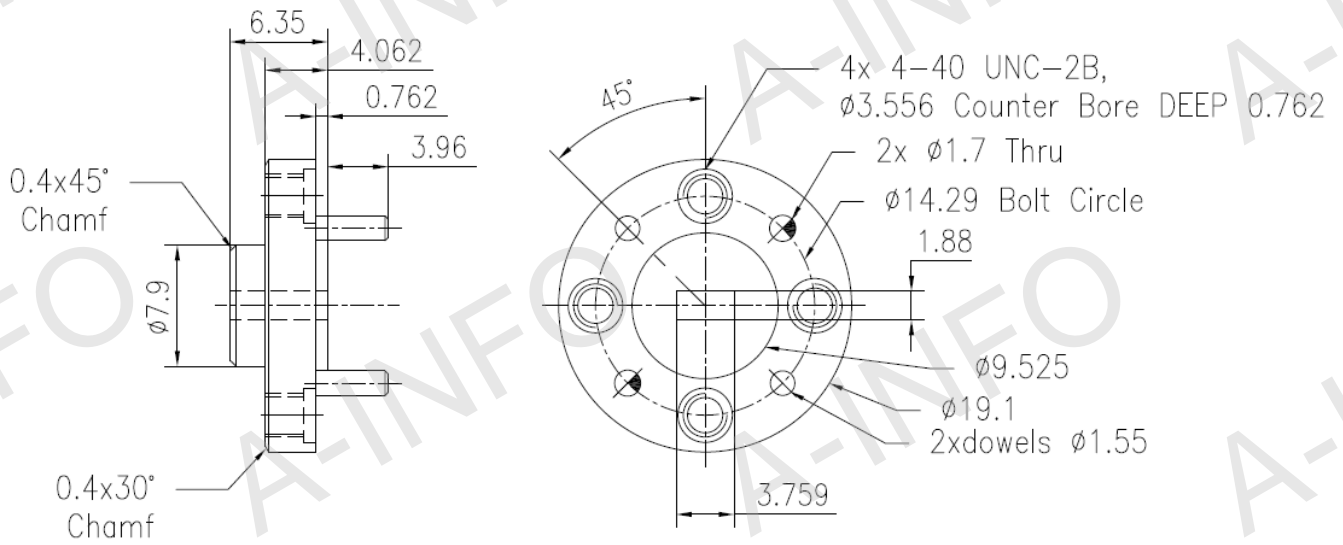
Tel: (+86) 10-6266-7326,  
Tel: (+86) 28-8519-2786,  
Tel: (+1) 949-639-9688,

(+86) 10-6266-7327  
(+86) 28-8519-3044  
(+1) 949-639-9608

Fax: (+86) 10-6266-7379  
Fax: (+86) 28-8519-3068  
Fax: (+1) 949-639-9670

Website: [www.ainfoinc.com](http://www.ainfoinc.com)  
Email: [sales@ainfoinc.com](mailto:sales@ainfoinc.com)

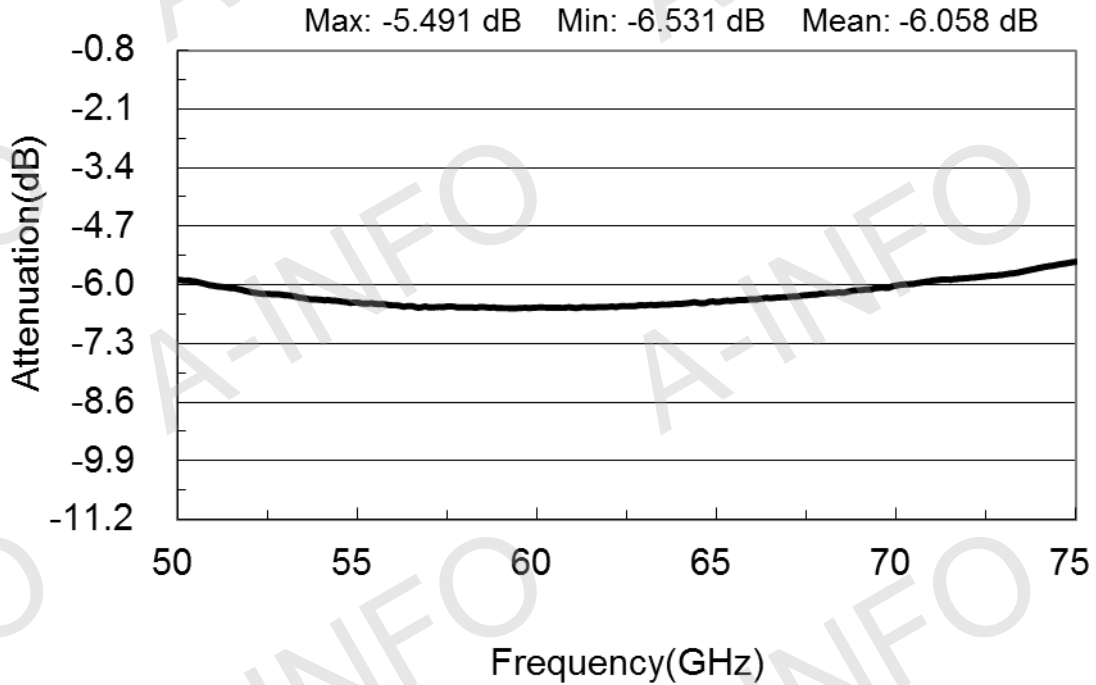
## Flange Drawing (Size: mm)



FUGP620  
(equivalent to UG-385/U)

## Test Results

### Attenuation



### VSWR

