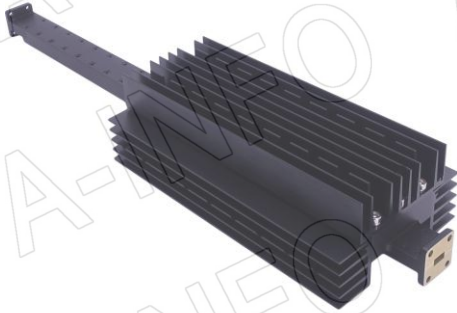


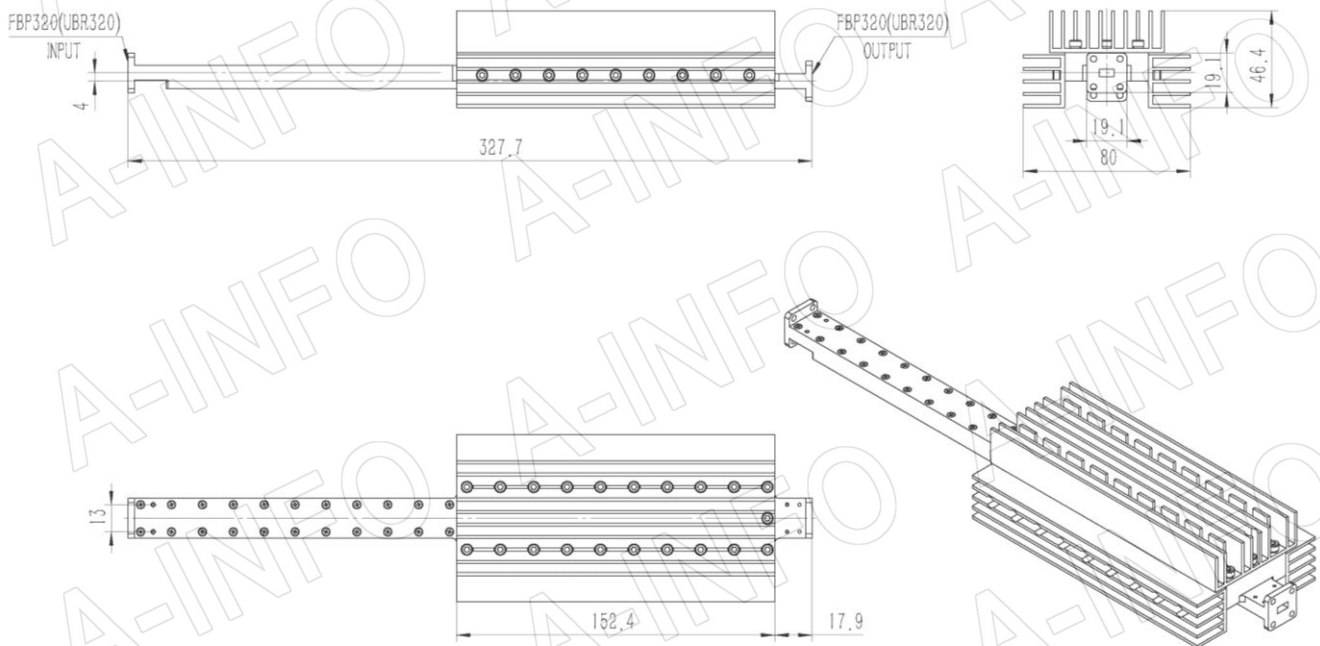
For reference only. See data sheet for the detailed specifications.

## Technical Specification



EIA WR	WR28
Frequency Range(GHz)	26.5 – 40.0
Attenuation(dB)	40
Attenuation Accuracy(dB)	±1.0 Max.
Attenuation Sensitivity(dB)	±0.9 Max.
VSWR	1.20:1 Max.
Average Power(W CW)	300
Peak Power(KW)	100
Flange	FBP320(UBR320)
Material	Al
Size(mm)	327.7 x 80 x 46.4
Net Weight(Kg)	0.63 Around

## Outline Drawing (Size: mm)



AINFO Inc.

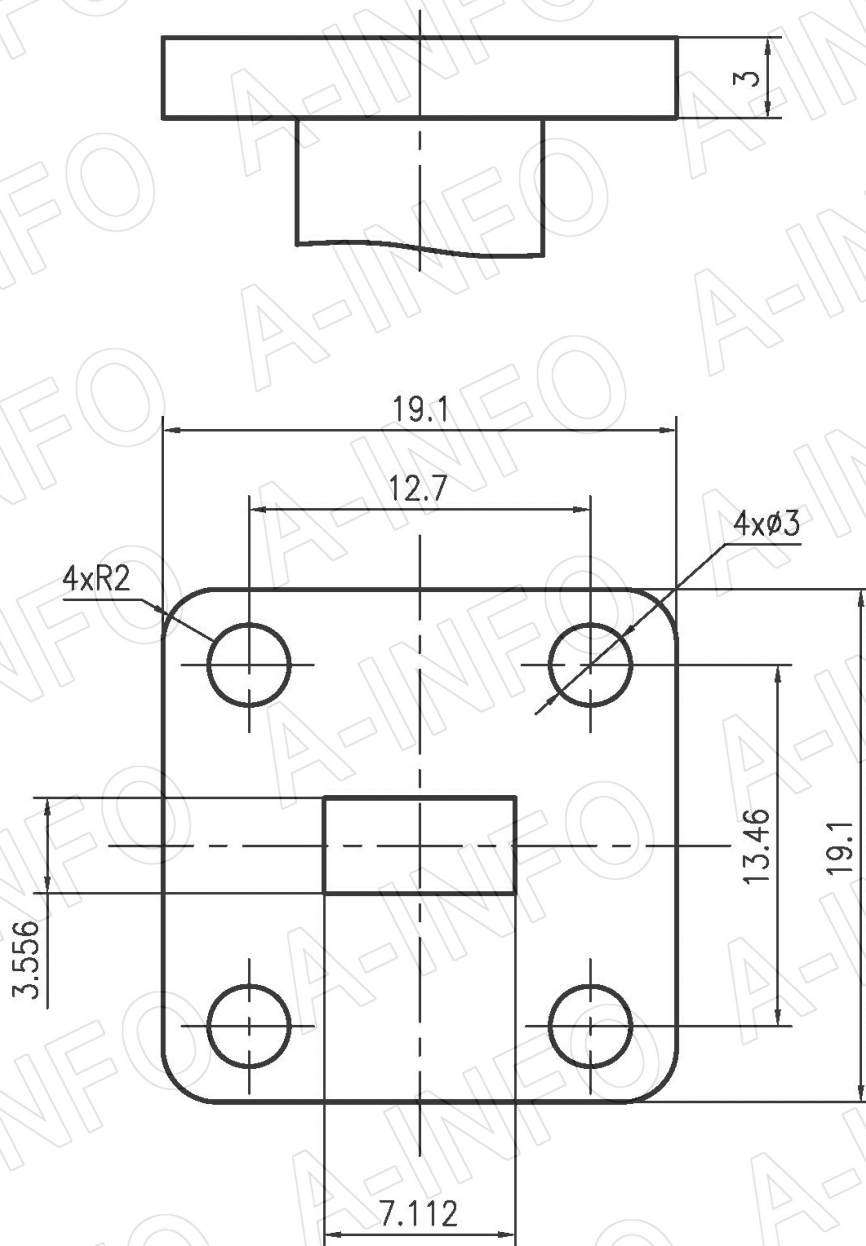
Page 1 of 3

China(Beijing): Tel: (+86) 10-6266-7326,  
 China(Chengdu): Tel: (+86) 28-8519-2786,  
 USA: Tel: (+1) 949-639-9688,

(+86) 10-6266-7327 Fax: (+86) 10-6266-7379  
 (+86) 28-8519-3044 Fax: (+86) 28-8519-3068  
 (+1) 949-639-9608 Fax: (+1) 949-639-9670

Website: [www.ainfoinc.com](http://www.ainfoinc.com)  
 Email: [sales@ainfoinc.com](mailto:sales@ainfoinc.com)

## Flange Drawing (Size: mm)



## FBP320

AINFO Inc.

Page 2 of 3

China(Beijing):  
China(Chengdu):  
USA :

Tel: (+86) 10-6266-7326,  
Tel: (+86) 28-8519-2786,  
Tel: (+1) 949-639-9688,

(+86) 10-6266-7327  
(+86) 28-8519-3044  
(+1) 949-639-9608

Fax: (+86) 10-6266-7379  
Fax: (+86) 28-8519-3068  
Fax: (+1) 949-639-9670

Website: [www.ainfoinc.com](http://www.ainfoinc.com)  
Email: [sales@ainfoinc.com](mailto:sales@ainfoinc.com)

## Test Result

### Attenuation & VSWR

CH1	S11	SWR	200 m / REF 1	5: 1.0933	40.000 000 000 GHz
CH2	S21	LOG	1 dB / REF -40 dB	5: -40.711 dB	30.347 500 000 GHz
CH3	S21	LOG	1 dB / REF -40 dB	5: -39.478 dB	40.000 000 000 GHz
CH4	S22	SWR	200 m / REF 1	5: 1.0527	32.912 500 000 GHz

