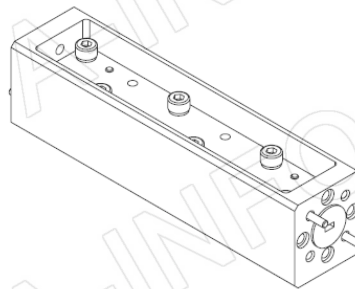
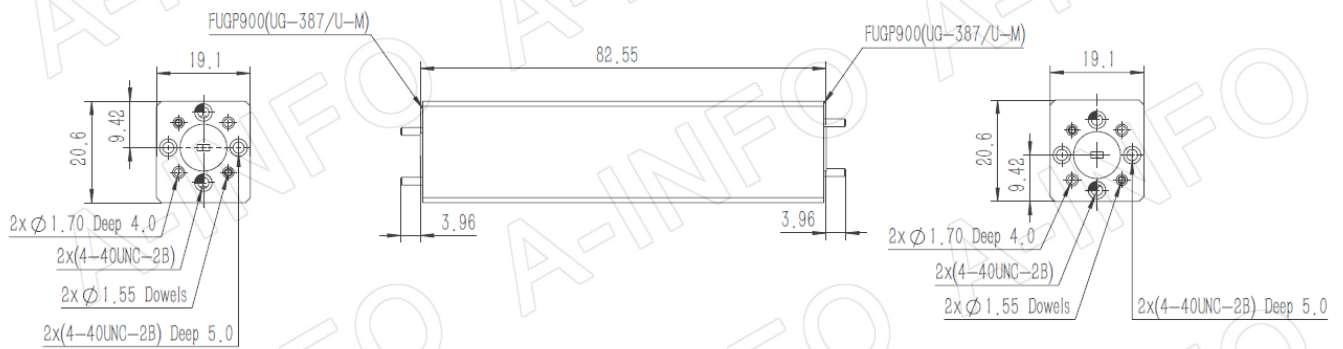


Technical Specification



| | |
|--------------------------|---------------------|
| Waveguide | WR10 |
| Frequency Range(GHz) | 75.0 - 110.0 |
| Attenuation(dB) | 30 |
| Attenuation Accuracy(dB) | ±3 Max. |
| VSWR | 1.25:1 Max. |
| Average Power(W CW) | 1 |
| Flange | FUGP900(UG-387/U-M) |
| Material | Cu |
| Size(mm) | 82.55 x 19.1 x 20.6 |
| Net Weight(Kg) | 0.14 Around |

Outline Drawing (Size: mm)



AINFO Inc.

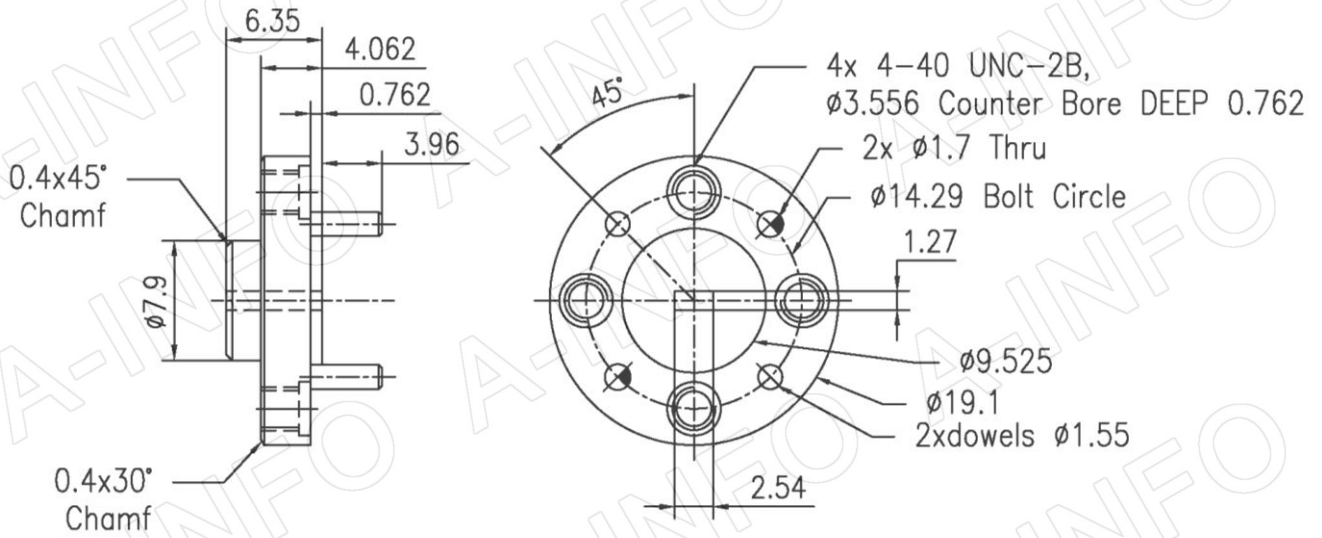
Page 1 of 3

China(Beijing): Tel: (+86) 10-6266-7326,
China(Chengdu): Tel: (+86) 28-8519-2786,
USA: Tel: (+1) 949-639-9688,

(+86) 10-6266-7327 Fax: (+86) 10-6266-7379
(+86) 28-8519-3044 Fax: (+86) 28-8519-3068
(+1) 949-639-9608 Fax: (+1) 949-639-9670

Website: www.ainfoinc.com
Email: sales@ainfoinc.com

Flange Drawing (Size: mm)



FUGP900
(equivalent to UG-387/U-M)

Test Results

Attenuation & VSWR

Trc1 **S11** SWR 250 mU/ Ref 1 U Cal Trc2 **S21** dB Mag 3 dB / Ref -30 dB Cal 1 (Max)
Trc3 **S21** dB Mag 3 dB / Ref -30 dB Cal Trc4 **S22** SWR 250 mU/ Ref 1 U Cal

