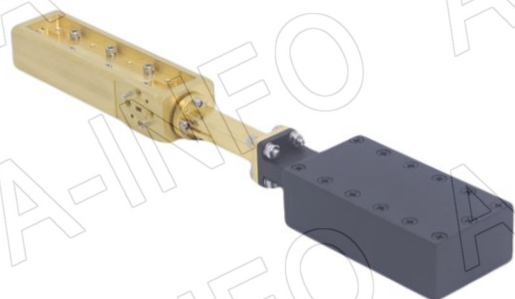


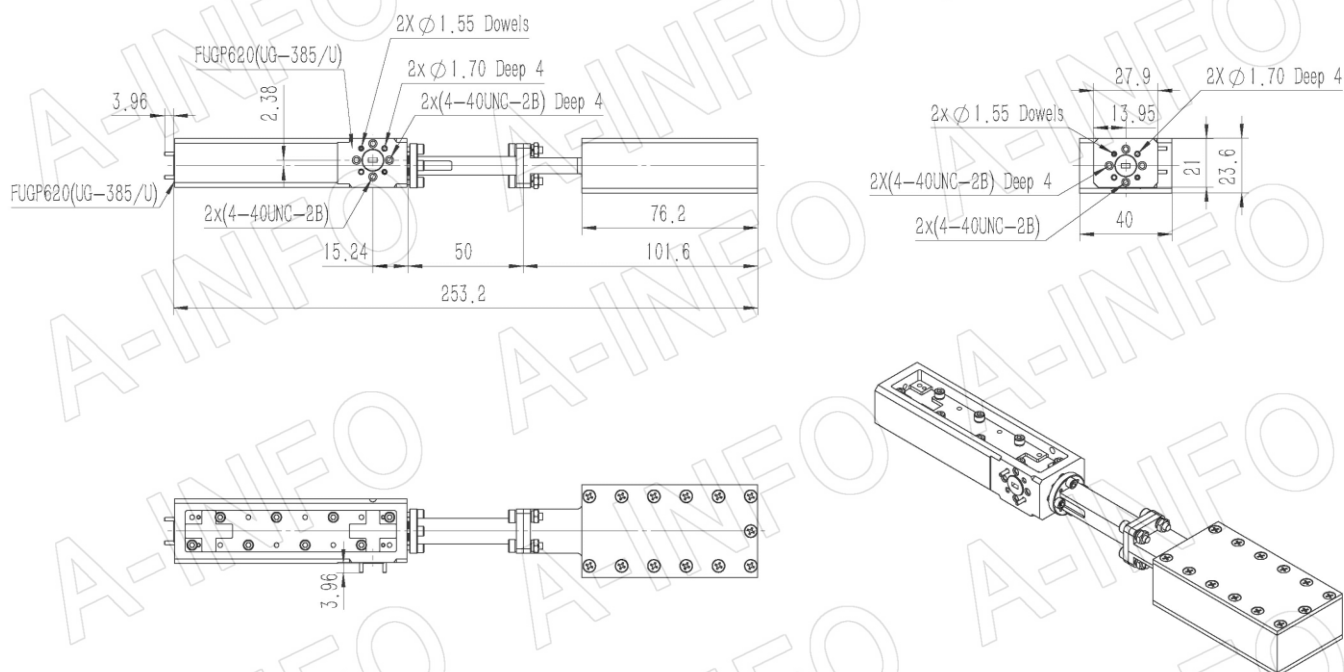
For reference only. See data sheet for the detailed specifications.

## Technical Specification

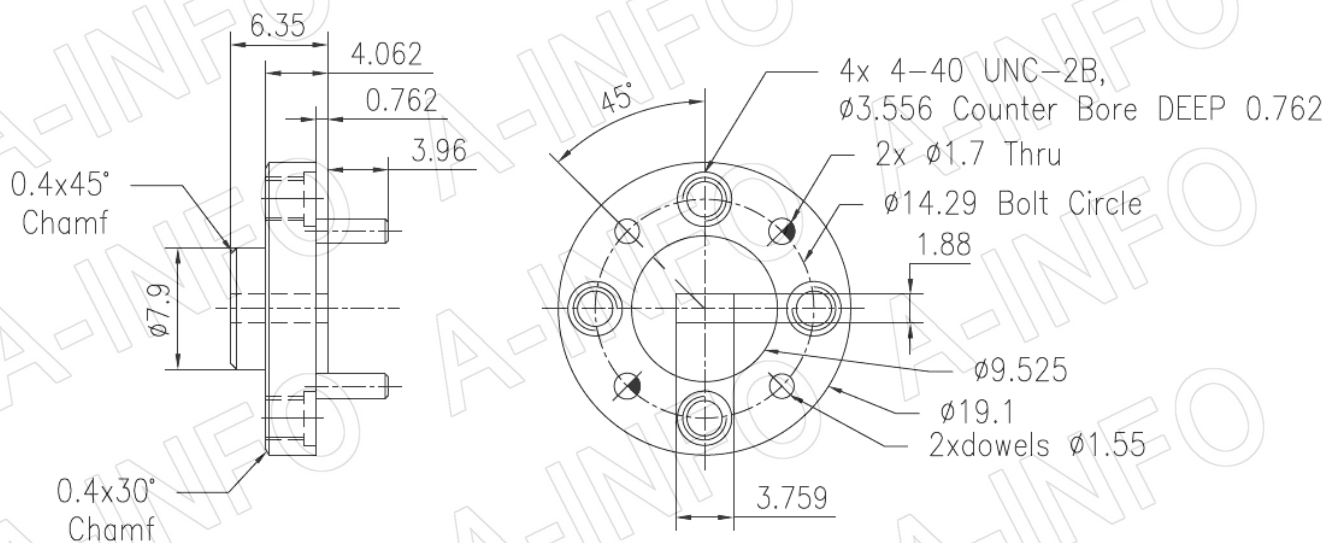


WIA WR	WR15
Frequency Range(GHz)	50.0 – 75.0
Attenuation(dB)	30
Attenuation Accuracy(dB)	±1.3 Max.
Attenuation Sensitivity(dB)	±0.9 Max.
VSWR	1.15:1 Max.
Average Power(W CW)	15
Peak Power(KW)	25
Flange	FUGP620(UG-385/U)
Material	Al
Size(mm)	253.3 x 40 x 23.6
Net Weight(Kg)	0.57 Around

## Outline Drawing (Size: mm)



## Flange Drawing (Size: mm)

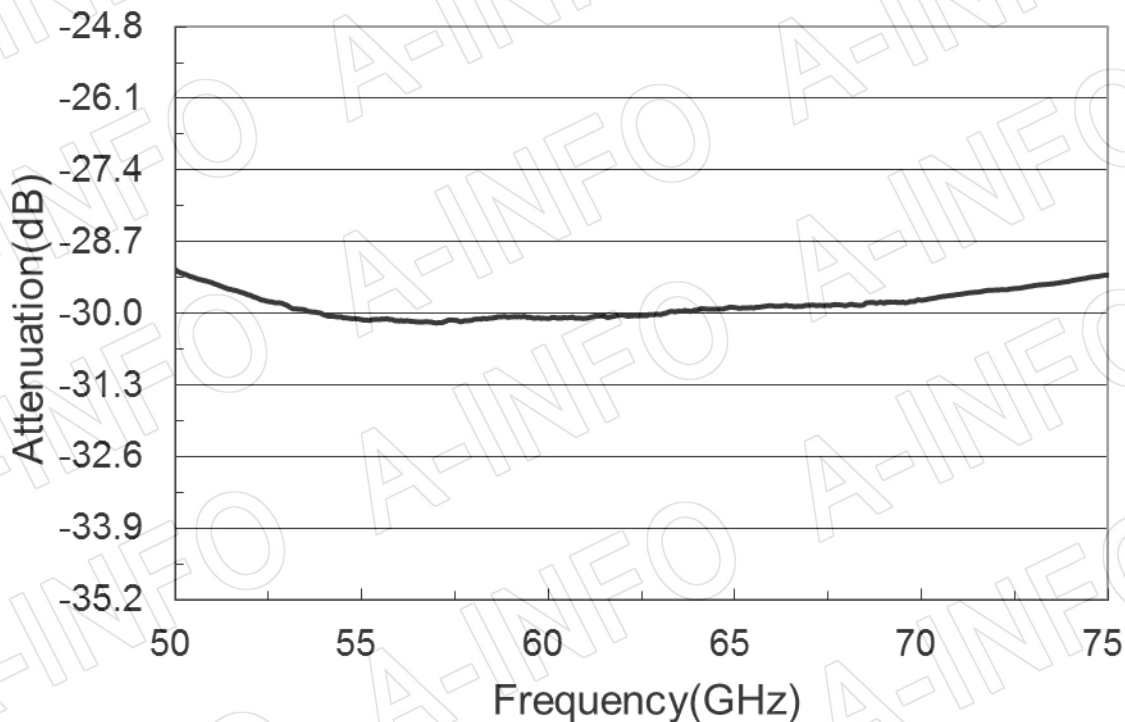


FUGP620  
(equivalent to UG-385/U)

## Test Results

### Attenuation

Max: -29.195 dB Min: -30.208 dB Mean: -29.792 dB



### VSWR

Port1 Max: 1.106 Port2 Max: 1.110

— Port1 — Port2

