



RoHS Compliant
1550 nm Single-mode Transceiver (L4.2)
Small Form Pluggable (SFP), with Diagnostic Monitoring
622 Mbps SONET OC-12/SDH STM-4



Features

- Compliant with SONET/SDH standard
- Industry standard small form pluggable (SFP) package
- Duplex LC connector
- Differential LVPECL inputs and outputs
- Single power supply 3.3V
- TTL signal detect indicator
- Hot Pluggable
- Class 1 laser product complies with EN 60825-1

Ordering Information

PART NUMBER	INPUT/OUTPUT	SIGNAL DETECT	VOLTAGE	TEMPERATURE	Distance
LS48-B3L-TC-N-DD	AC/AC	TTL	3.3V	0°C to 70°C	80km
LS48-B3L-TI-N-DD	AC/AC	TTL	3.3V	-40°C to 85°C	80km

Diagnostics

Parameter	Range	Accuracy	Unit	Calibration
Temperature	-40 to 95	± 3	°C	External
Voltage	0 to VCC	± 0.1	V	
Bias Current	0 to 120	± 5	mA	
TX Power	-5 to +4	± 3 dB	dBm	
RX Power	-28 to -8	± 3 dB	dBm	



RoHS Compliant
1550 nm Single-mode Transceiver (L4.2)
Small Form Pluggable (SFP), with Diagnostic Monitoring
622 Mbps SONET OC-12/SDH STM-4

Absolute Maximum Ratings

PARAMETER	SYMBOL	MIN	MAX	UNITS	NOTE
Storage Temperature	T_S	-40	85	°C	
Supply Voltage	V_{CC}	-0.5	4.0	V	
Input Voltage	V_{IN}	-0.5	V_{CC}	V	
Output Current	I_o	---	50	mA	
Operating Current	I_{OP}	---	400	mA	



RoHS Compliant
1550 nm Single-mode Transceiver (L4.2)
Small Form Pluggable (SFP), with Diagnostic Monitoring
622 Mbps SONET OC-12/SDH STM-4

Recommended Operating Conditions

PARAMETER	SYMBOL	MIN	MAX	UNITS	NOTE
Case Operating Temperature	T_C	0 -40	70 85	°C	LS48-B3L-TC-N-DD LS48-B3L-TI-N-DD
Supply Voltage	V_{CC}	3.1	3.5	V	
Supply Current	$I_{TX} + I_{RX}$	---	300	mA	

Transmitter Electro-optical Characteristics

$V_{CC} = 3.1\text{ V to }3.5\text{ V}$, $T_C = 0^\circ\text{C to }70^\circ\text{C}(-40^\circ\text{C to }85^\circ\text{C})$

PARAMETER	SYMBOL	MIN	TYP.	MAX	UNITS	NOTE
Data Rate	B	---	622	700	Mb/s	
Output Optical Power 9/125 μm fiber	P_{out}	-3	---	+2	dBm	Average
Extinction Ratio	ER	10	---	---	dB	
Center Wavelength	λ_C	1520	1550	1580	nm	
Spectral Width (-20dB)	$\Delta\lambda$	---	---	1	nm	
Side Mode Suppression Ratio	$SMSR$	30	---	---	dB	
Rise/Fall Time (20–80%)	$T_{r,f}$	---	---	0.5	ns	
Output Eye	Compliant with Telcordia GR-253-CORE Issue 3 and ITU-T recommendation G-957					
Differential Input Voltage	V_{DIFF}	0.4	---	2.0	V	



RoHS Compliant
1550 nm Single-mode Transceiver (L4.2)
Small Form Pluggable (SFP), with Diagnostic Monitoring
622 Mbps SONET OC-12/SDH STM-4

Receiver Electro-optical Characteristics

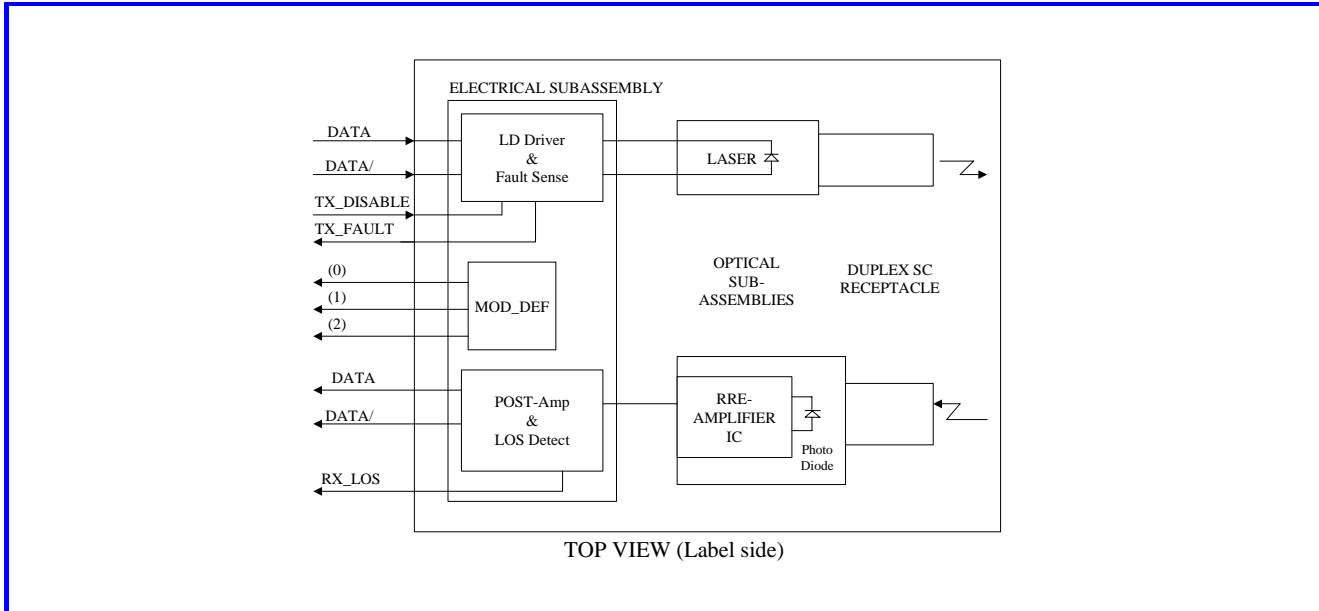
$V_{CC} = 3.1 \text{ V to } 3.5 \text{ V}, T_C = 0^\circ \text{C to } 70^\circ \text{C} (-40^\circ \text{C to } 85^\circ \text{C})$

PARAMETER	SYMBOL	MIN	TYP.	MAX	UNITS	NOTE
Data Rate	B	---	622	700	Mb/s	
Optical Input Power -maximum	P_{IN}	-3	---	---	dBm	PRBS23, BER < 10^{-10}
RX Sensitivity @OC-12	P_{IN}	---	---	-28	dBm	PRBS23, BER < 10^{-10}
Operating Center Wavelength	λ_C	1260	---	1600	nm	
Data Output Rise, Fall Time (20%~80%)	$T_{r,f}$	---	---	0.5	ns	
Loss of Signal-Asserted	P_A	---	---	-28	dBm	Average
Loss of Signal-Deasserted	P_D	-45	---	---	dBm	Average
Loss of Signal-Hysteresis	$P_A - P_D$	1.0	---	---	dB	
Differential Output Voltage	V_{DIFF}	0.5	---	1.2	V	
Receiver Loss of Signal Output Voltage-Low	RX_LOS_L	0	---	0.5	V	
Receiver Loss of Signal Output Voltage-High	RX_LOS_H	2.4	---	V_{CC}	V	



RoHS Compliant
1550 nm Single-mode Transceiver (L4.2)
Small Form Pluggable (SFP), with Diagnostic Monitoring
622 Mbps SONET OC-12/SDH STM-4

Block Diagram of Transceiver



Transmitter Section

The transmitter section consists of a 1310 nm InGaAsP laser in an eye safe optical subassembly (OSA) which mates to the fiber cable. The laser OSA is driven by a LD driver IC which converts differential input LVPECL logic signals into an analog laser driving current.

TX_DISABLE

The TX_DISABLE signal is high (TTL logic "1") to turn off the laser output. The laser will turn on when TX_DISABLE is low (TTL logic "0").

Receiver Section

The receiver utilizes an InGaAs PIN photodiode mounted together with a trans-impedance preamplifier IC in an OSA. This OSA is connected to a circuit providing post-amplification quantization, and optical signal detection.

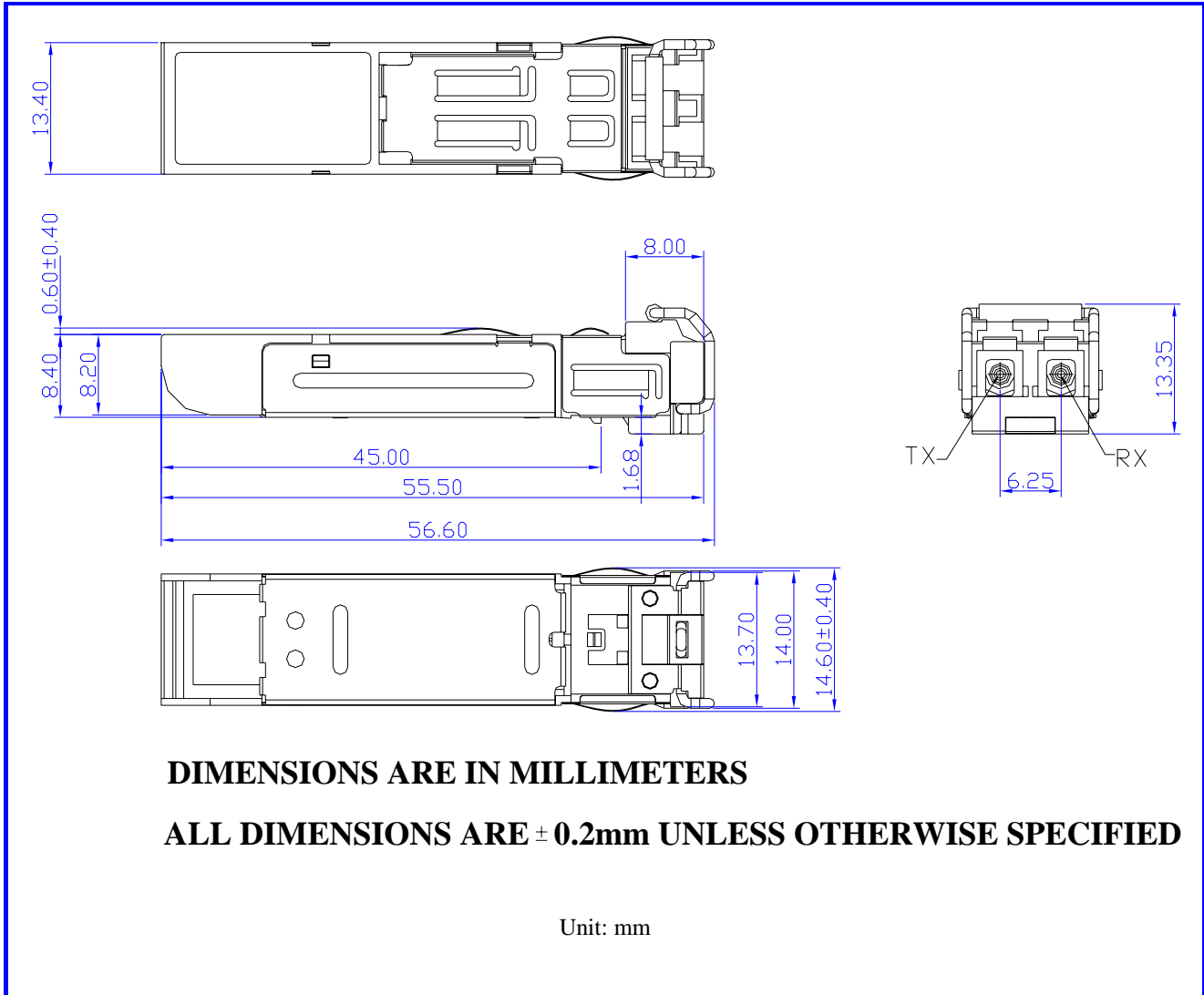
Receive Loss (RX_LOS)

The RX_LOS is high (logic "1") when there is no incoming light from the companion transceiver. This signal is normally used by the system for the diagnostic purpose. The signal is operated in TTL level.



RoHS Compliant
1550 nm Single-mode Transceiver (L4.2)
Small Form Pluggable (SFP), with Diagnostic Monitoring
622 Mbps SONET OC-12/SDH STM-4

Dimensions



DIMENSIONS ARE IN MILLIMETERS

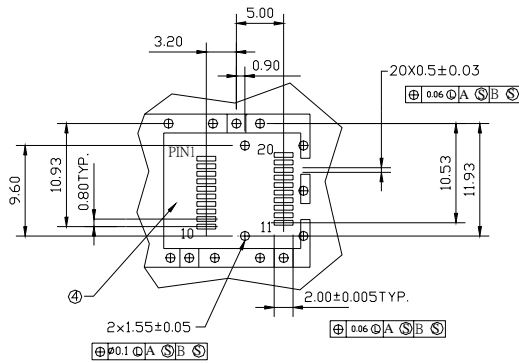
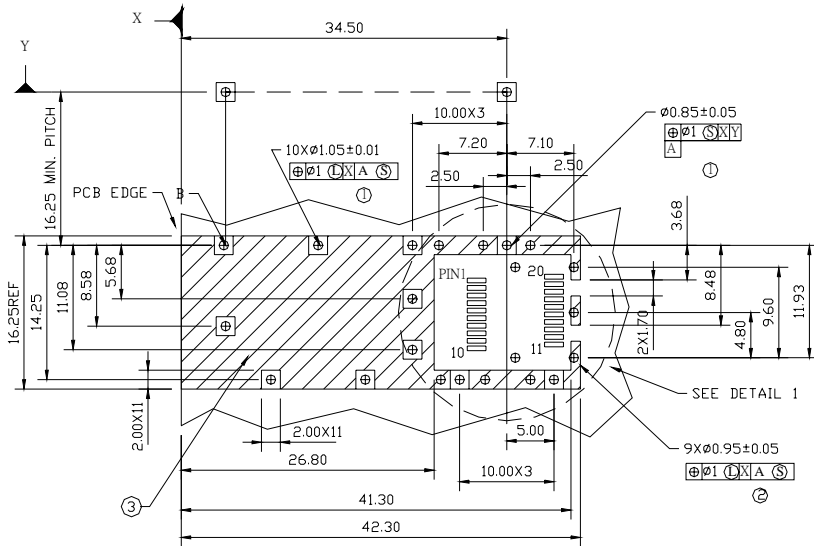
ALL DIMENSIONS ARE ± 0.2mm UNLESS OTHERWISE SPECIFIED

Unit: mm



RoHS Compliant
1550 nm Single-mode Transceiver (L4.2)
Small Form Pluggable (SFP), with Diagnostic Monitoring
622 Mbps SONET OC-12/SDH STM-4

SFP host board mechanical layout



DETAIL 1

LEGEND

1. PADS AND VIAS ARE CHASSIS GROUND
2. THROUGH HOLES, PLATING OPTIONAL
3. HATCHED AREA DENOTES COMPONENT AND TRACE KEEPOUT (EXCEPT CHASSIS GROUND)
4. AREA DENOTES COMPONENT KEEPOUT (TRACES ALLOWED)

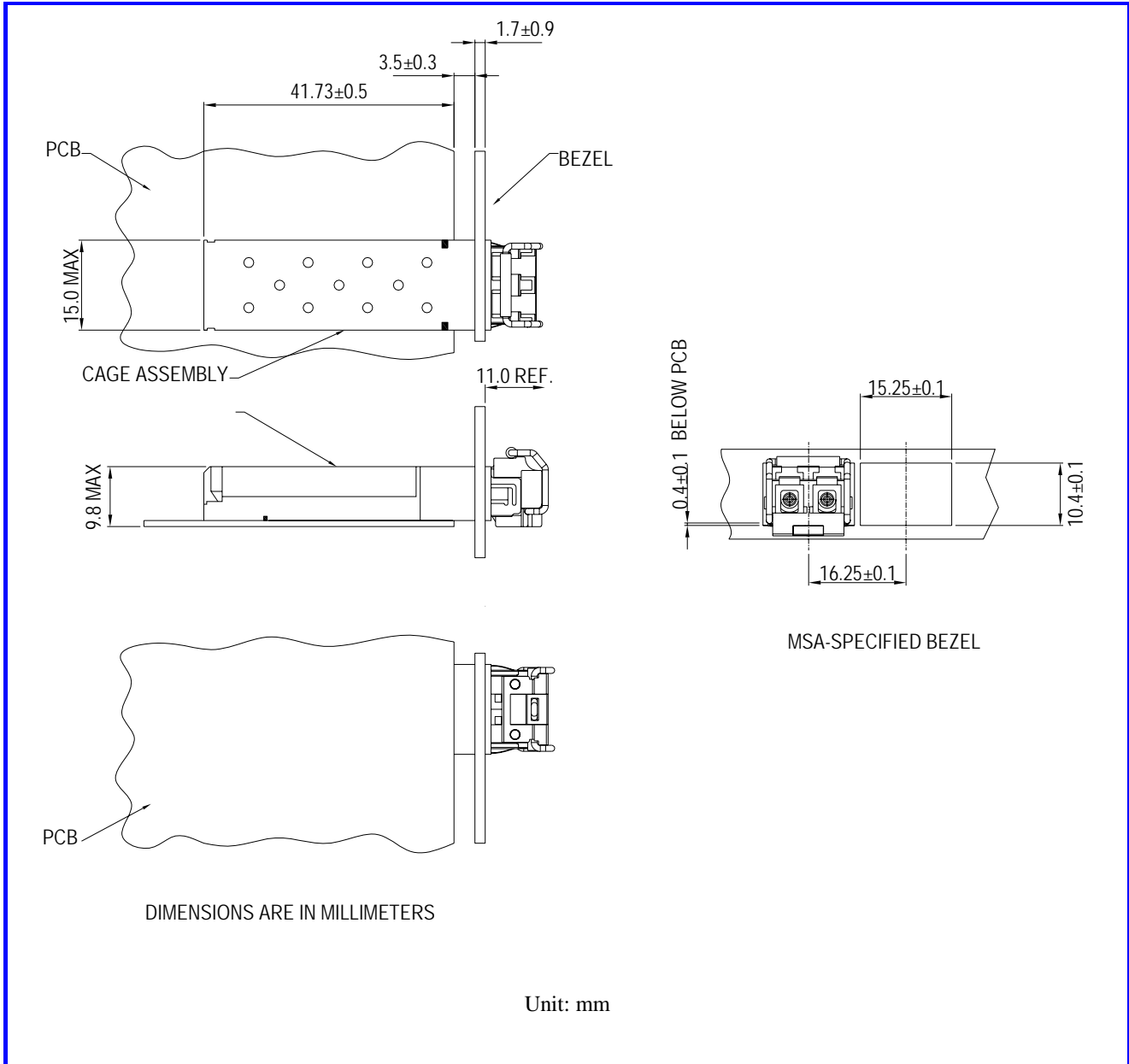
DIMENSIONS ARE IN MILLIMETERS

Unit: mm



RoHS Compliant
1550 nm Single-mode Transceiver (L4.2)
Small Form Pluggable (SFP), with Diagnostic Monitoring
622 Mbps SONET OC-12/SDH STM-4

Assembly drawing

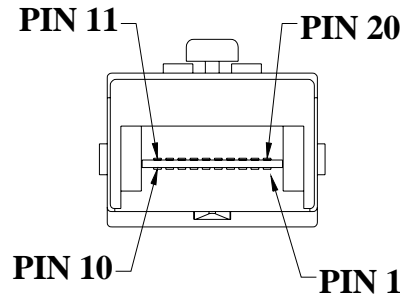




RoHS Compliant
1550 nm Single-mode Transceiver (L4.2)
Small Form Pluggable (SFP), with Diagnostic Monitoring
622 Mbps SONET OC-12/SDH STM-4

Pin Assignment

Pin-Out



Pin	Signal Name	Description
1	T_{GND}	Transmit Ground
2	TX_FAULT	Transmit Fault
3	$TX_DISABLE$	Transmit Disable
4	$MOD_DEF (2)$	SDA Serial Data Signal
5	$MOD_DEF (1)$	SCL Serial Clock Signal
6	$MOD_DEF (0)$	TTL Low
7	$RATE_SELECT$	Open Circuit
8	RX_LOS	Receiver Loss of Signal, TTL High, open collector
9	R_{GND}	Receiver Ground
10	R_{GND}	Receiver Ground
11	R_{GND}	Receiver Ground
12	$RX-$	Receive Data Bar, Differential PECL, ac coupled
13	$RX+$	Receive Data, Differential PECL, ac coupled
14	R_{GND}	Receiver Ground
15	V_{CCR}	Receiver Power Supply
16	V_{CCT}	Transmitter Power Supply
17	T_{GND}	Transmitter Ground
18	$TX+$	Transmit Data, Differential PCEL, ac coupled
19	$TX-$	Transmit Data Bar, Differential PCEL, ac coupled
20	T_{GND}	Transmitter Ground



RoHS Compliant
1550 nm Single-mode Transceiver (L4.2)
Small Form Pluggable (SFP), with Diagnostic Monitoring
622 Mbps SONET OC-12/SDH STM-4

Eye Safety Mark

The LS4 series Single-mode transceiver is a class 1 laser product. It complies with EN 60825-1 and FDA 21 CFR 1040.10 and 1040.11. In order to meet laser safety requirements the transceiver shall be operated within the Absolute Maximum Ratings.

Caution

All adjustments have been done at the factory before the shipment of the devices. No maintenance and user serviceable part is required. Tampering with and modifying the performance of the device will result in voided product warranty.

Required Mark

Class 1 Laser Product
Complies with
21 CFR 1040.10 and 1040.11

Note : All information contained in this document is subject to change without notice.