

**Product Parameters:**

- \* Product Name: COB Led Reflector
- \* Part Number : KB-D9566-15RF-K  
KB-D9566-24RF-K  
KB-D9566-38RF-K

- \* Product Size :  $\Phi 95*\Phi 27*H66.4\text{mm}$
- \* Beam Angle : 15 degree(half angle)  
24 degree(half angle)  
38 degree(half angle)



- \* Product Inlude : Reflector+Holder+Cover
- \* Material : PC with coating
- \* Tolerance:  $\pm 0.1\text{mm}$
- \* Operating Temperature :  $-40 \sim 110^{\circ}\text{C}$
- \* Lens Light Efficiency : 86~88%
- \* Assembly : Frame
- \* Match Led : Cree -CXA15xx/18xx/2520  
Citizen-CLL020/030/040  
Luminus-CXM-14

\* Direction for use

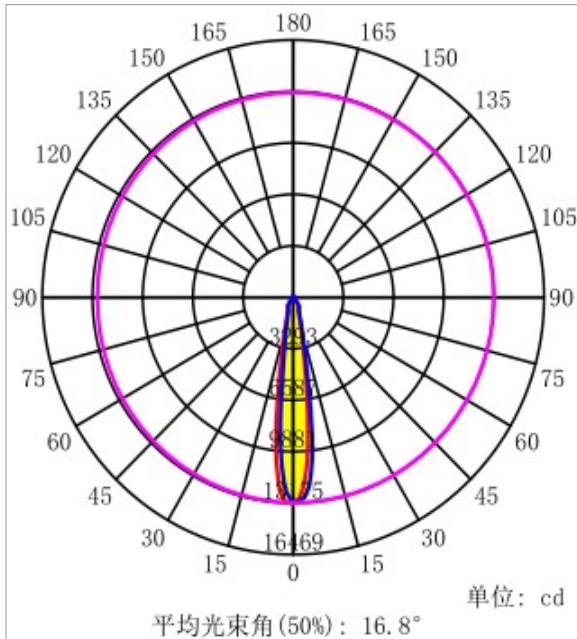
- 1, Please use some soft paper or pure water to clean lens ( reflector)
- 2, Don't use any industrial solvent to clean lens surface , such as alcohol
- 3, Storage environment : Temperature  $0\sim 40^{\circ}\text{C}$  , Humidity 30%~95%
- 4, This kind of lens can make the lighting more concentrated, and it's made from transparent material , so please do not open the packages until you use them, in case of the dust and other pollutions.

**Product Package:**

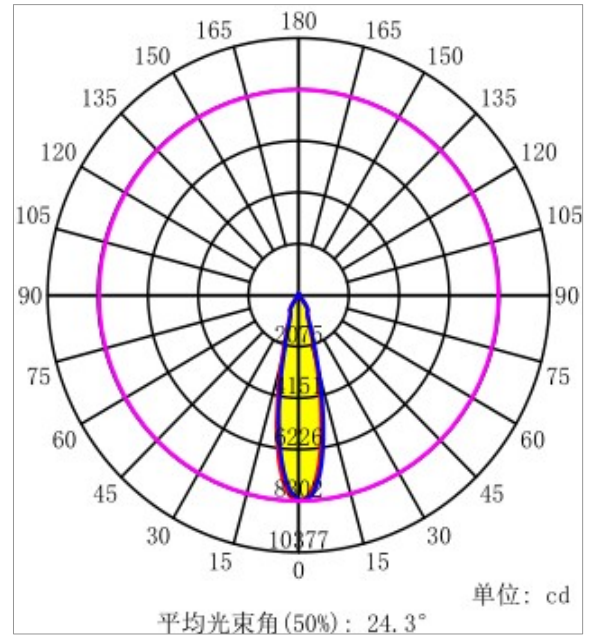


**Optical Characteristics:**

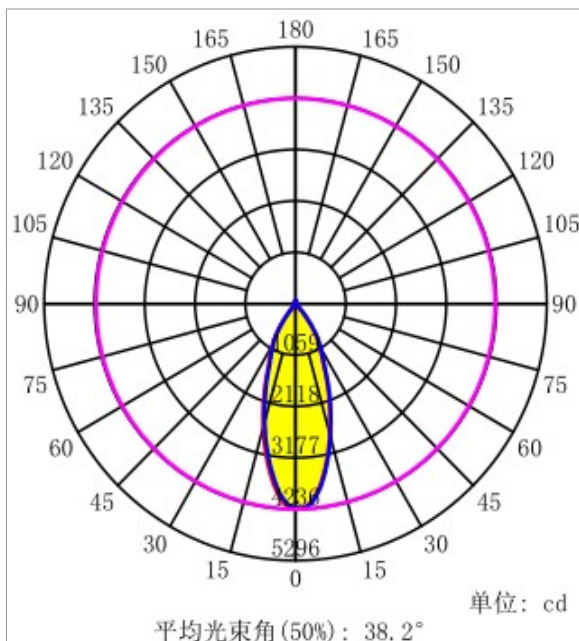
Part Number:KB-D9566-15RF-K



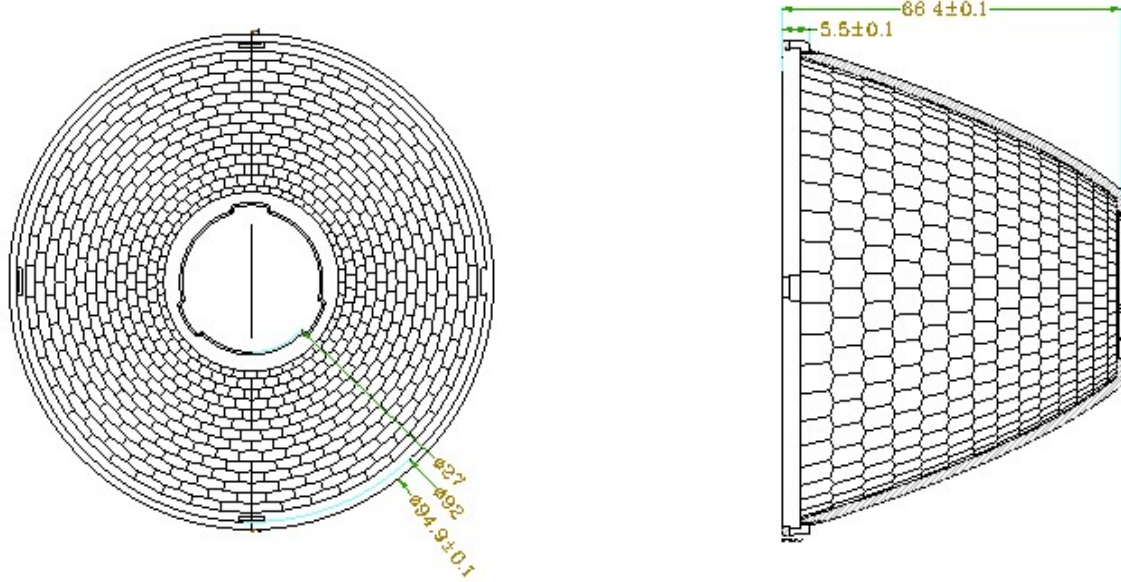
Part Number:KB-D9566-24RF-K



Part Number:KB-D9566-38RF-K

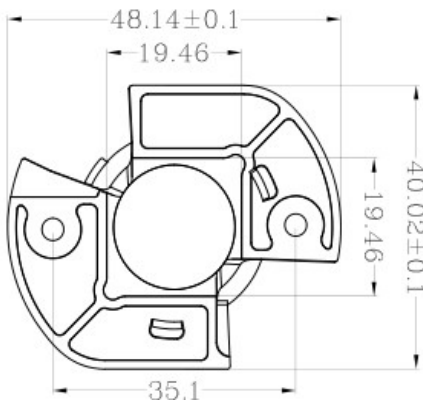


**Mechanical Characteristics:**

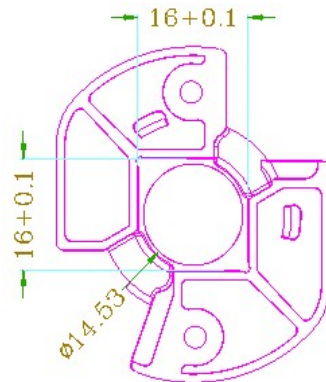


**Matched COB Holder**

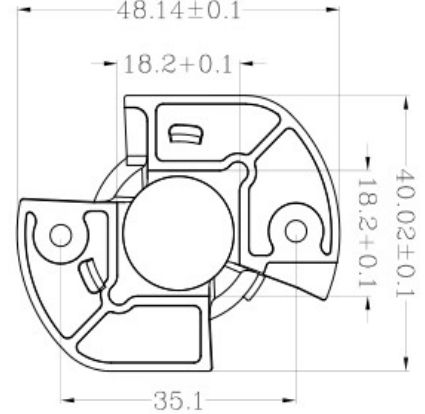
Citizen-CLL030



CREE-CXA1507



CREE-CXA18xx



Solderless holder

