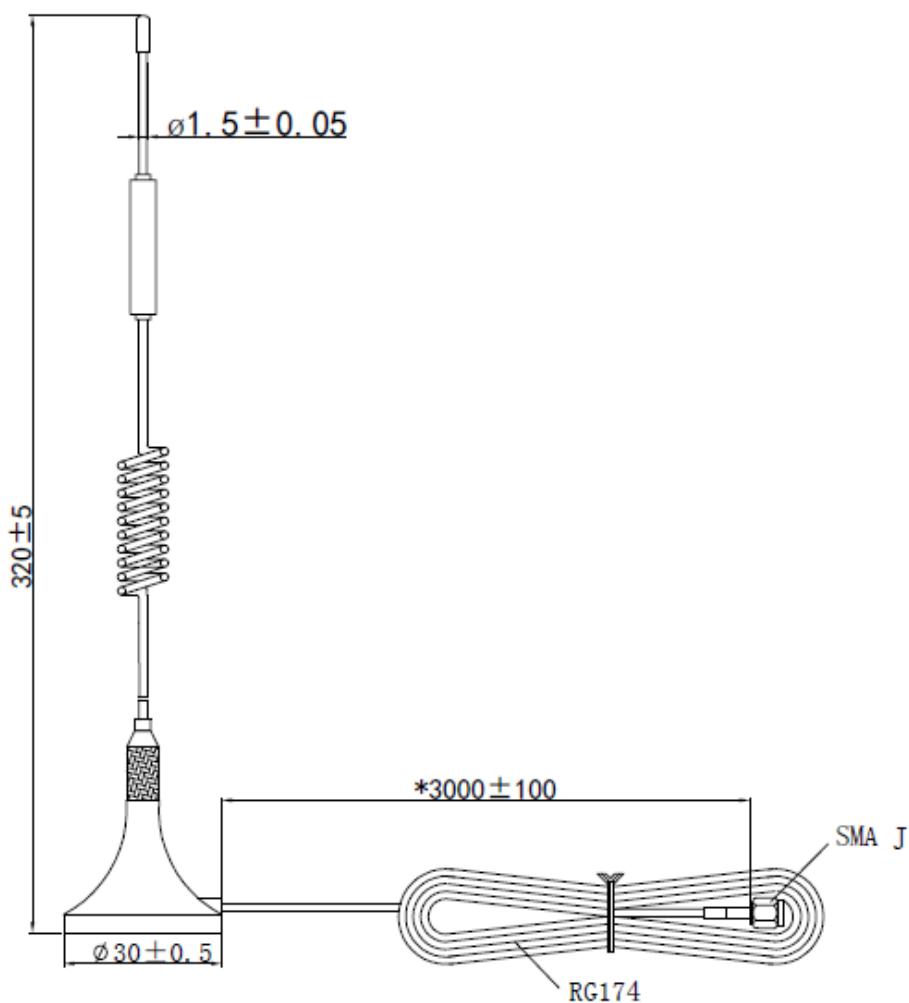




Datasheet


GSM/LTE ANTENNA

Model: MG-4G-822-3MSMA



SPECIFICATION

Revision #	Content	Page	Date	Manufacture
0	First, document	-	01.10.2021	MG ANTENNAS
1				

	Standards	Parameters
Electrical	Center Frequency	824-960/1710-2170/2620~2690 MHz
	Polarization	Vertical
	Gain	3 dBi
	Max power	50 W
	VSWR	1.5 :1
	Impedance	50 Ω
Mechanical	Cable (type and length)	RG174, 3m or others Example of marking with a sticker: 
	Connector	SMA male or others
	Housing Color	Black
	Mounting	Magnetic base
	Dimensions	H320*30mm
	Weight	75g
Environmental	Temperature	-40 ~ +75 °C
	Humidity	0 ~ 85%
	Vibration	10 to 55Hz with 1.5mm amplitude 2hours
	Environmentally Friendly	ROHS Compliant
	Lighting protection	DC grounding