

For reference only. See data sheet for the detailed specifications.

## Technical Specification

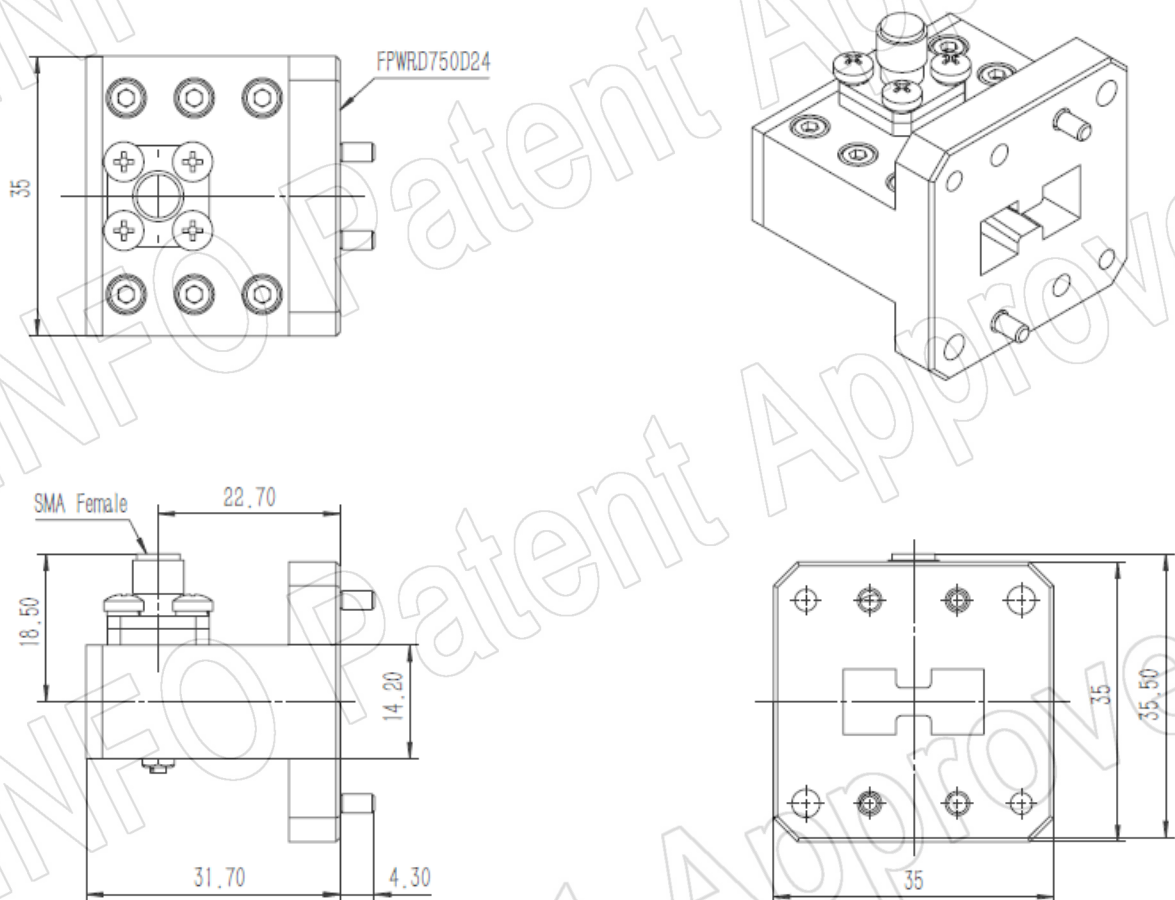


EIA WRD	WRD750
Frequency Range(GHz)	7.5 – 18.0
Insertion Loss(dB)	0.35 Max.
VSWR	1.30:1 Max.
Flange	FPWRD750D24
Connector	SMA-Female
Average Power(W CW)	50 Max.
Peak Power(KW)	1
Material	Cu
Size(mm)	31.7 x 35 x 35.5
Net Weight(Kg)	0.13 Around

PATENT ID (China)

ZL201621013724.0

## Outline Drawing (Size: mm)



AINFO Inc.

Page 1 of 3

China(Beijing):  
China(Chengdu):  
USA :

Tel: (+86) 10-6266-7326,  
Tel: (+86) 28-8519-2786,  
Tel: (+1) 949-639-9688,

(+86) 10-6266-7327  
(+86) 28-8519-3044  
(+1) 949-639-9608

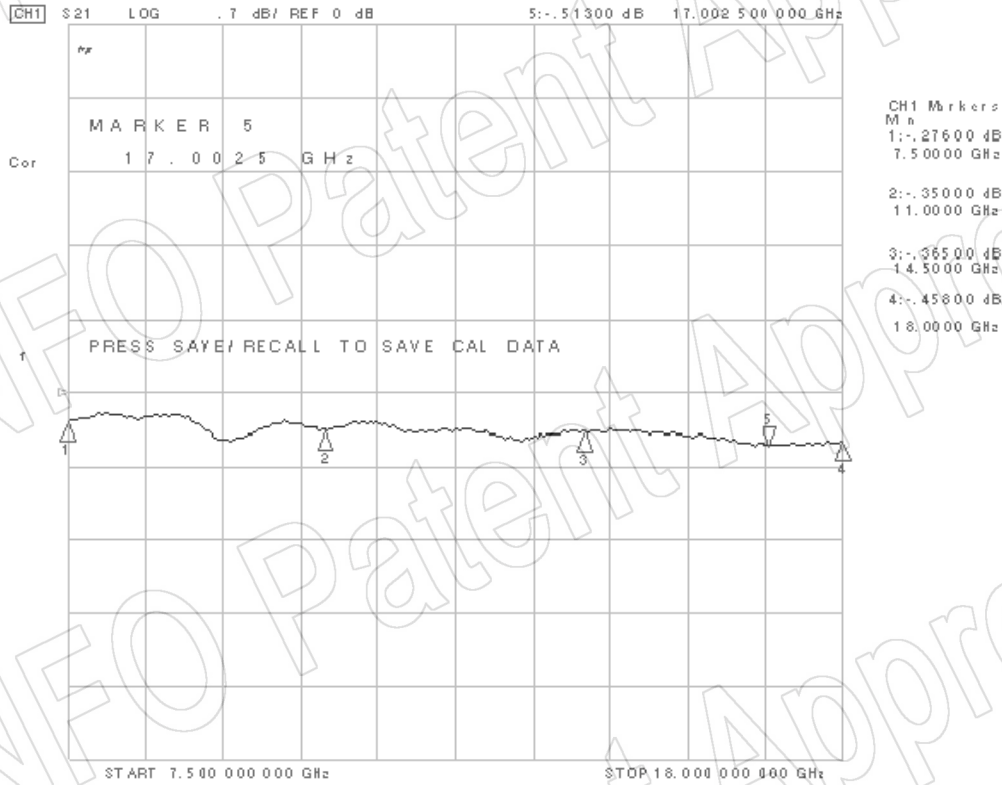
Fax: (+86) 10-6266-7379  
Fax: (+86) 28-8519-3068  
Fax: (+1) 949-639-9670

Website: [www.ainfoinc.com](http://www.ainfoinc.com)  
Email: [sales@ainfoinc.com](mailto:sales@ainfoinc.com)



## Test Results

I.L. (Test with two adapters back to back)



## VSWR

