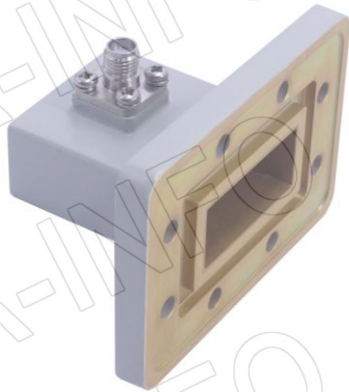
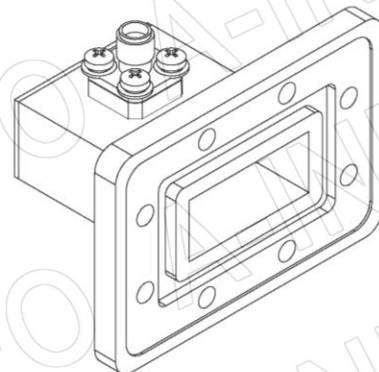
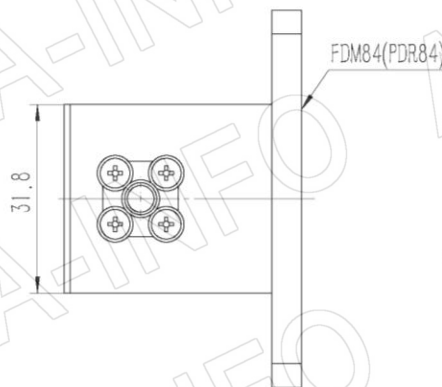
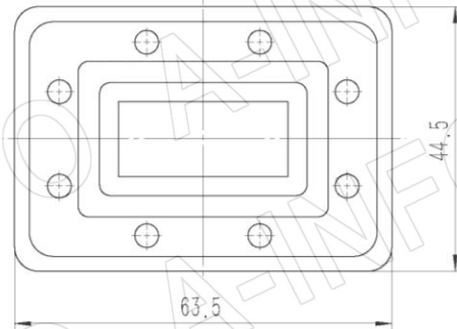
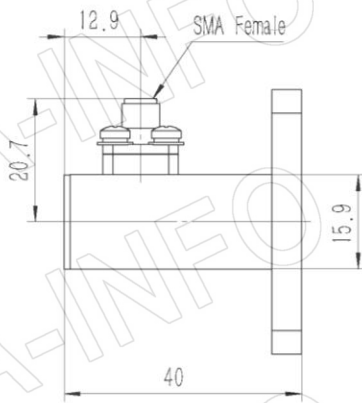


Technical Specification



| | |
|----------------------|------------------|
| EIA WR | WR112 |
| Frequency Range(GHz) | 7.05 - 10.0 |
| Insertion Loss(dB) | 0.21 Max. |
| VSWR | 1.25:1 Max. |
| Flange | FDM84(PDR84) |
| Connector | SMA-Female |
| Average Power(W CW) | 50 Max. |
| Peak Power(KW) | 3 |
| Material | Al |
| Size(mm) | 40 x 63.5 x 44.5 |
| Net Weight(Kg) | 0.06 Around |

Outline Drawing (Size: mm)



AINFO Inc.

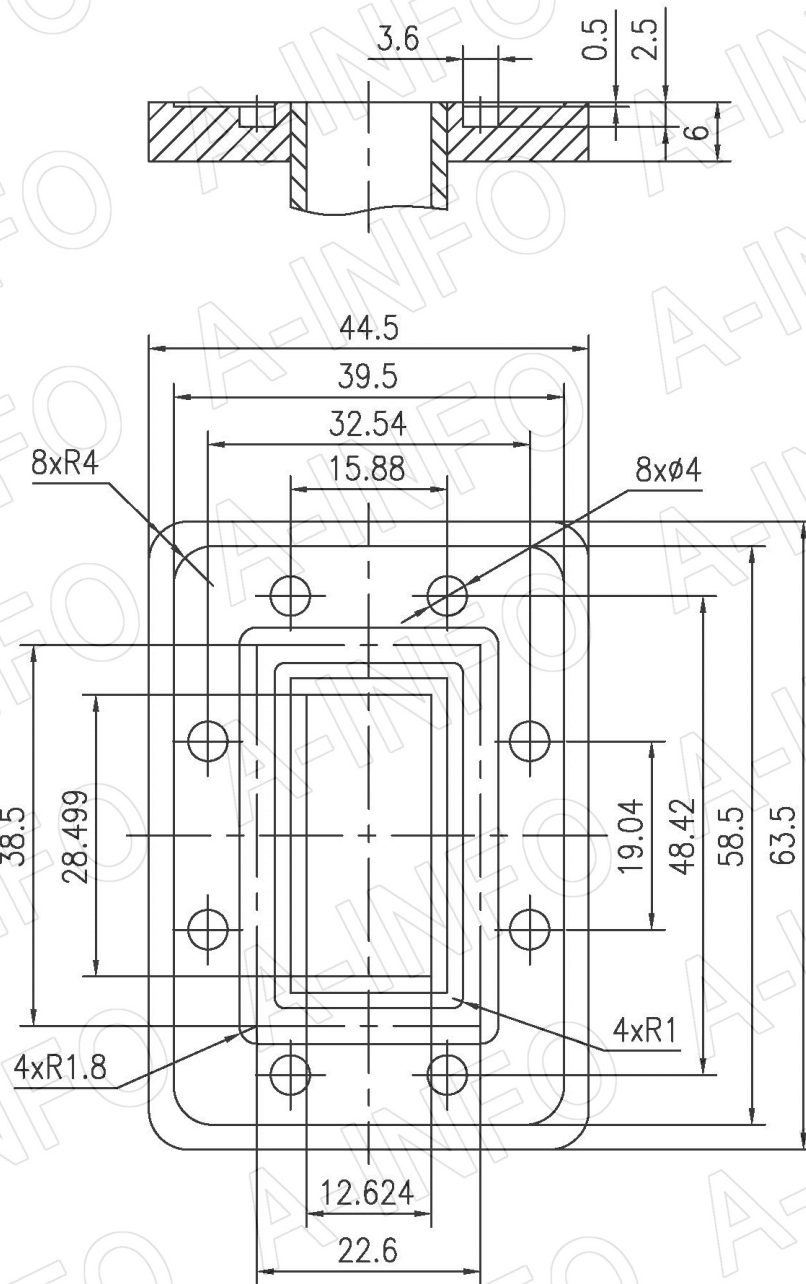
Page 1 of 3

China(Beijing): Tel: (+86) 10-6266-7326,
 China(Chengdu): Tel: (+86) 28-8519-2786,
 USA: Tel: (+1) 949-639-9688,

(+86) 10-6266-7327 Fax: (+86) 10-6266-7379
 (+86) 28-8519-3044 Fax: (+86) 28-8519-3068
 (+1) 949-639-9608 Fax: (+1) 949-639-9670

Website: www.ainfoinc.com
 Email: sales@ainfoinc.com

Flange Drawing (Size: mm)



FDM84

AINFO Inc.

Page 2 of 3

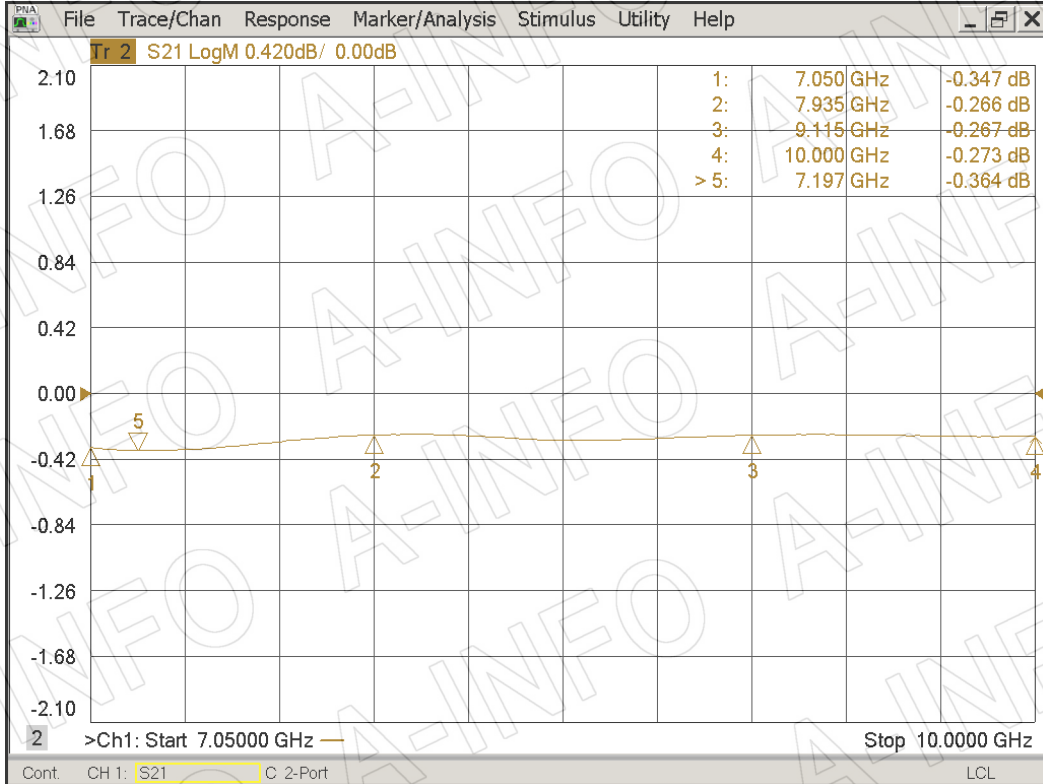
China(Beijing): Tel: (+86) 10-6266-7326,
China(Chengdu): Tel: (+86) 28-8519-2786,
USA: Tel: (+1) 949-639-9688,

(+86) 10-6266-7327 Fax: (+86) 10-6266-7379
(+86) 28-8519-3044 Fax: (+86) 28-8519-3068
(+1) 949-639-9608 Fax: (+1) 949-639-9670

Website: www.ainfoinc.com
Email: sales@ainfoinc.com

Test Results

Insertion Loss (Test with two adapters back to back)



VSWR

