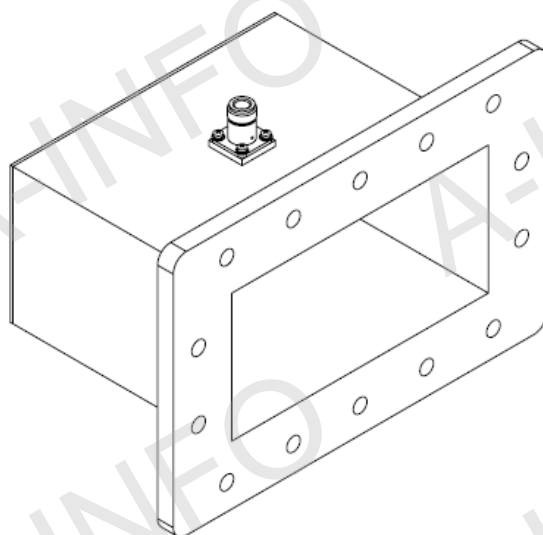
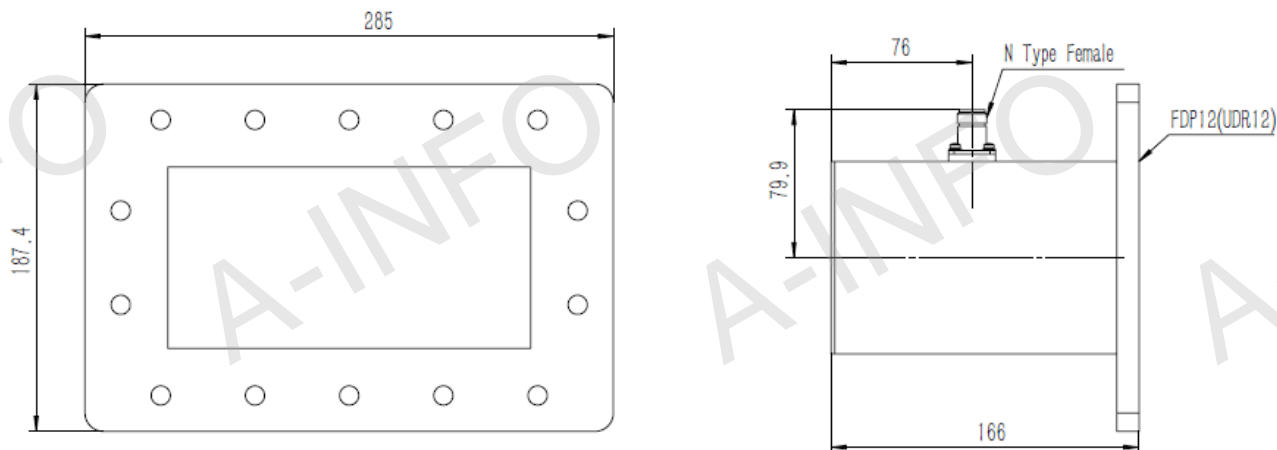


## Technical Specification

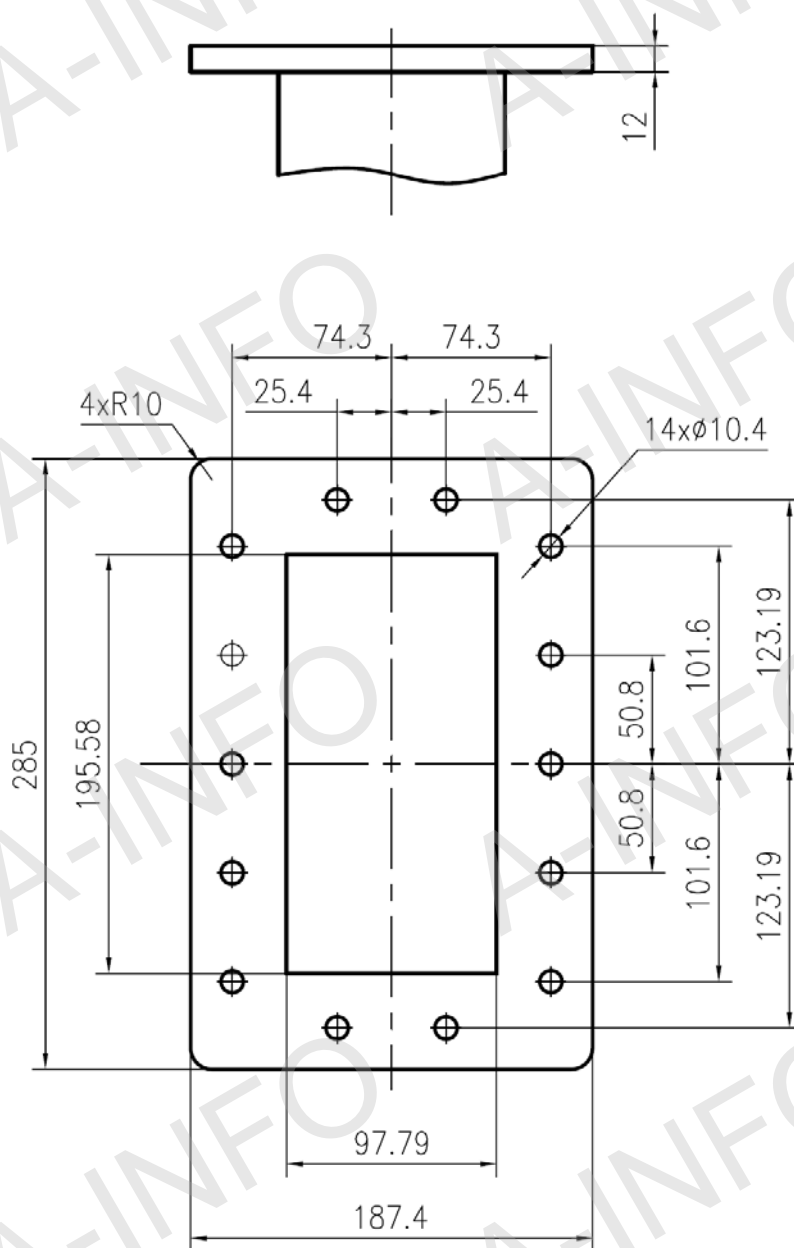


Frequency Range(GHz)	0.96 - 1.45
VSWR	1.25
Theoretical Insertion Loss(dB)	0.12 Max.
Connector	N-F
Waveguide	WR770
Flange	FDP12(UDR12)
Material	Al
Net Weight(Kg)	2.4 Around

## Outline Drawing (Size: mm)



## Flange Drawing



FDP12

## Test Results

### VSWR

