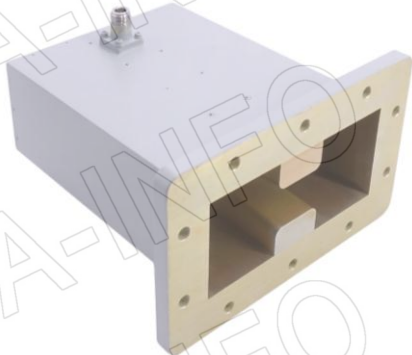


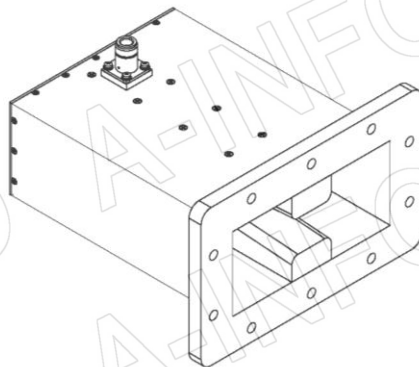
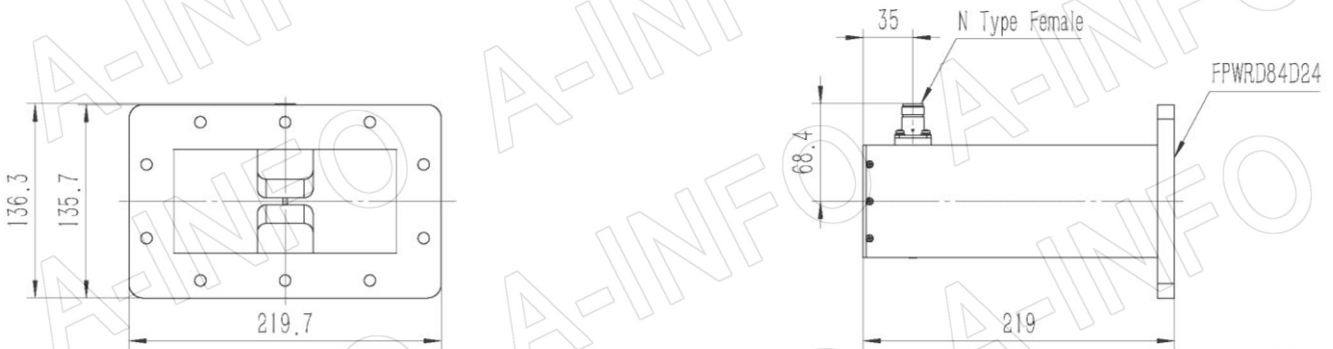
For reference only. See data sheet for the detailed specifications.

Technical Specification

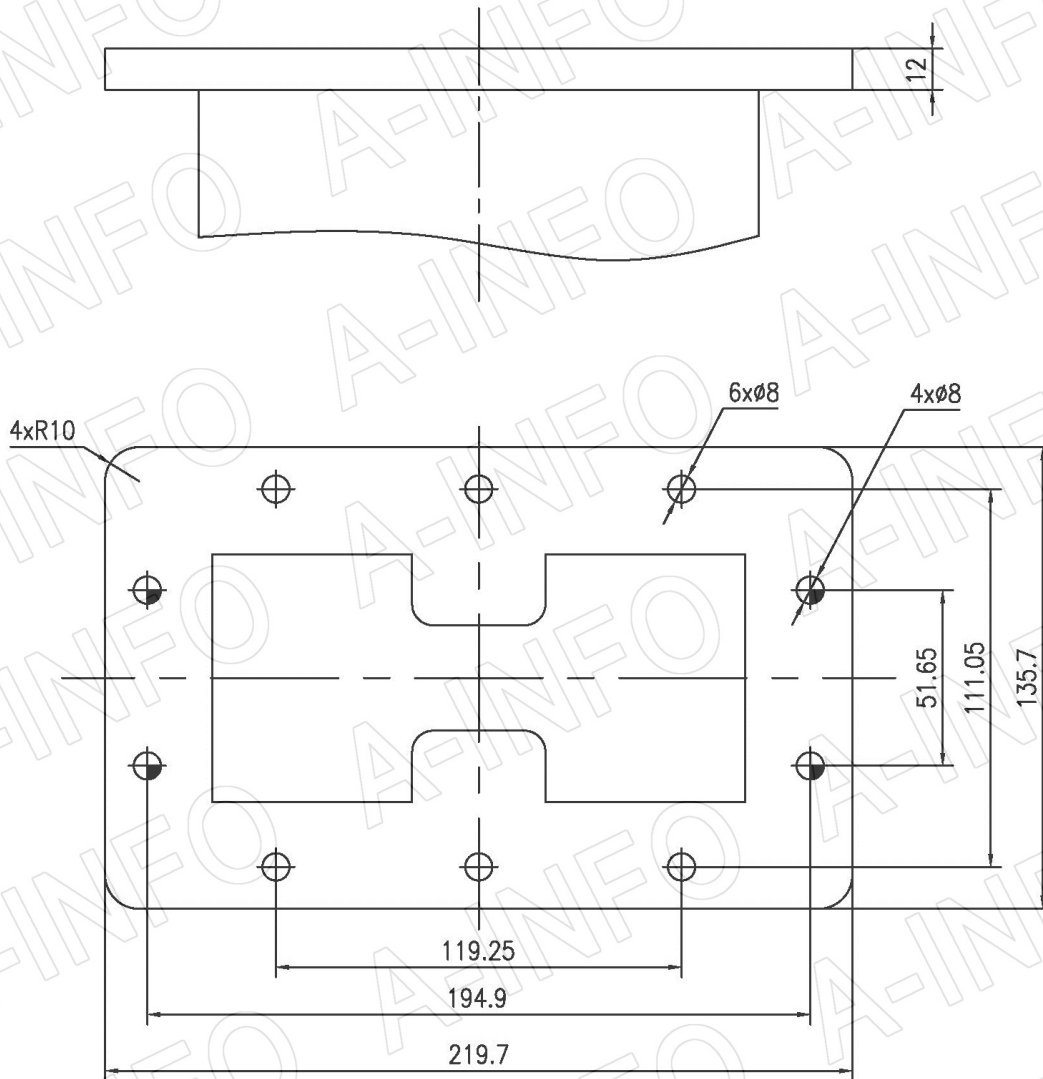


EIA WRD	WRD84
Frequency Range(GHz)	0.84 – 2.0
Insertion Loss(dB)	0.25 Max.
VSWR	1.30:1 Max.
Flange	FPWRD84D24
Connector	N-Female
Average Power(W CW)	500 Max.
Peak Power(KW)	5
Material	Al
Size(mm)	219 x 219.7 x 136.3
Net Weight(Kg)	2.21 Around

Outline Drawing (Size: mm)



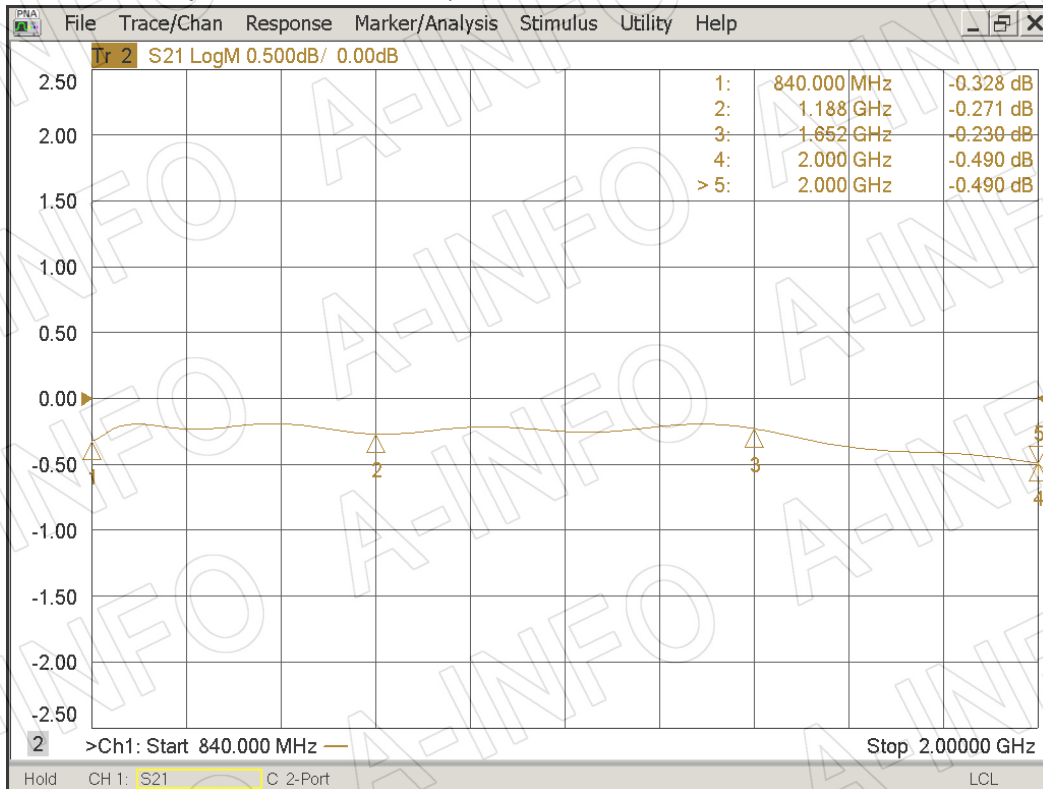
Flange Drawing (Size: mm)



FPWRD84D24

Test Results

I. L. (Test with two adapters back to back)



VSWR

