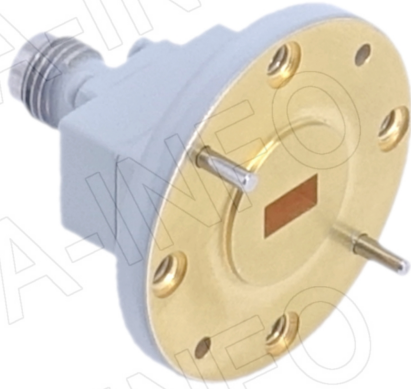


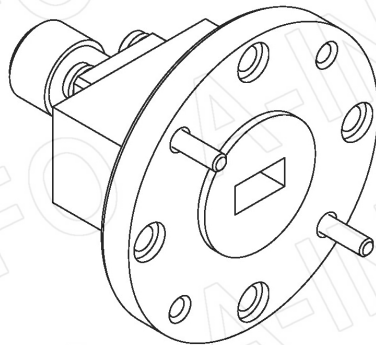
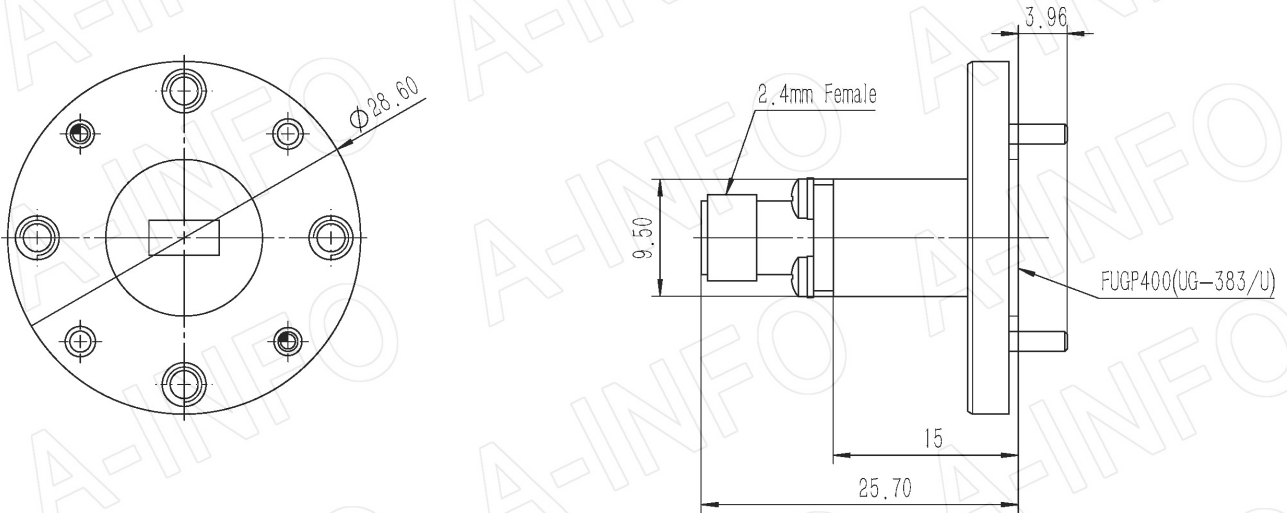
For reference only. See data sheet for the detailed specifications.

Technical Specification

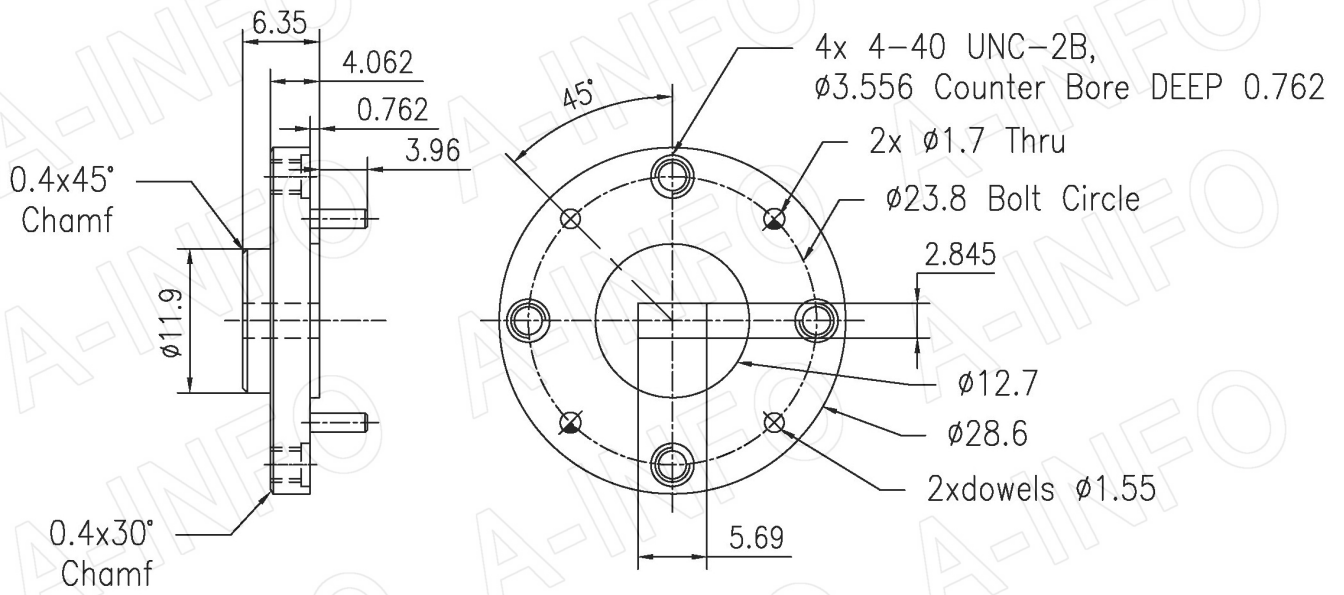


EIA WR	WR22
Frequency Range(GHz)	33.0 - 50.0
Insertion Loss(dB)	1.0 Max.
VSWR	1.50:1 Max.
Flange	FUGP400(UG-383/U)
Connector	2.4mm-Female
Average Power(W CW)	10 Max.
Peak Power(KW)	0.02
Material	Cu
Size(mm)	25.7 x 28.6 x 28.6
Net Weight(Kg)	0.03 Around

Outline Drawing (Size: mm)



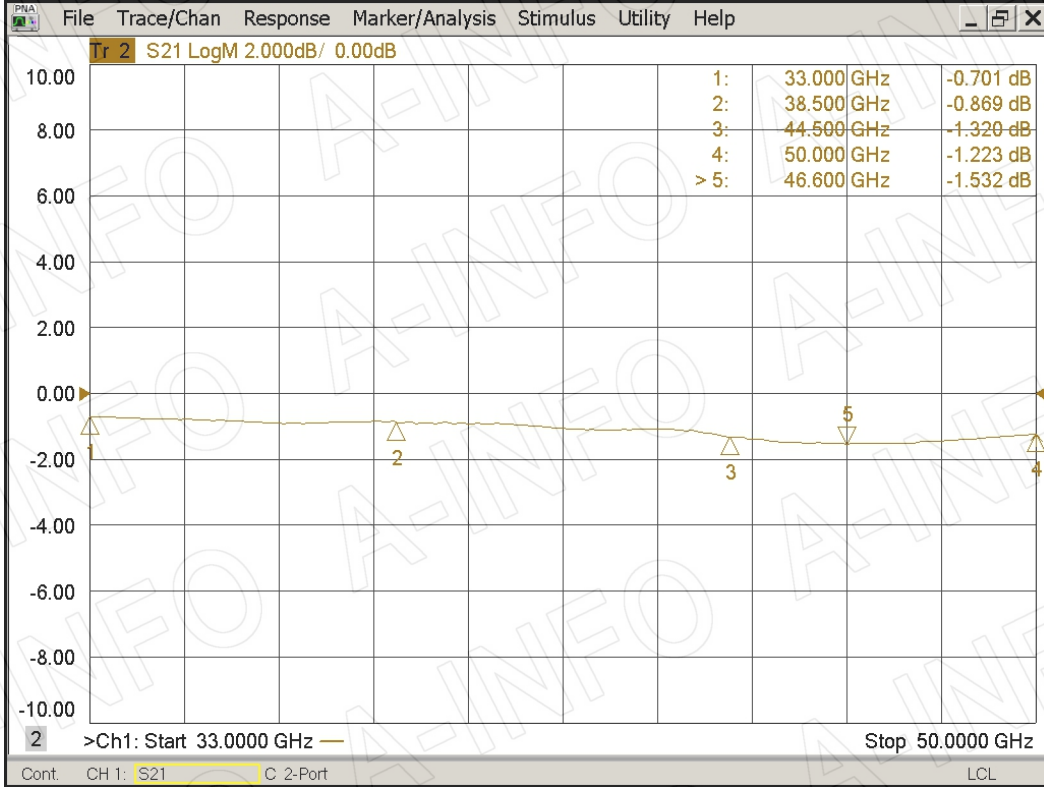
Flange Drawing (Size: mm)



FUGP400
(equivalent to UG-383/U)

Test results

I. L. (Test with two adapters back to back)



VSWR

