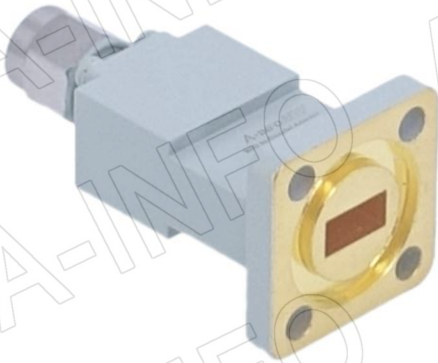


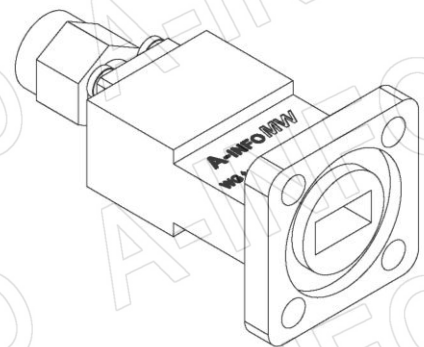
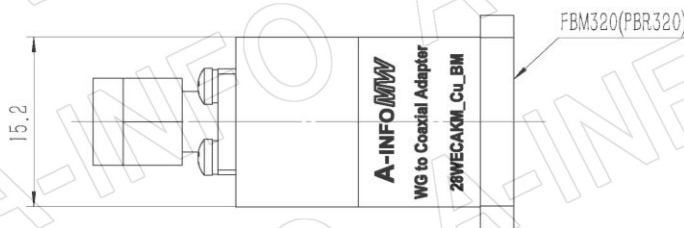
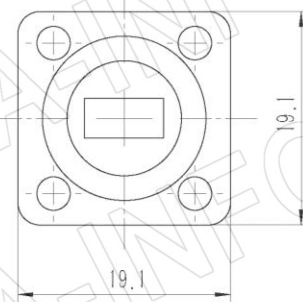
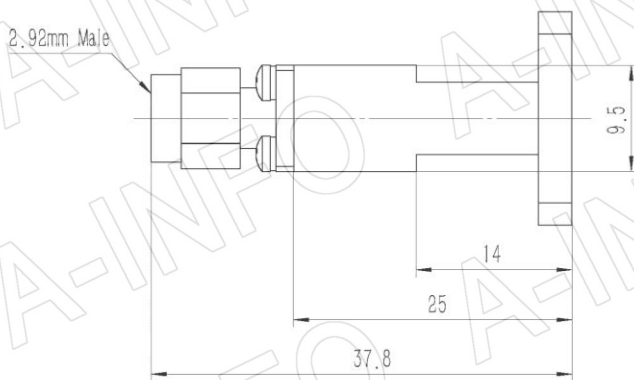
For reference only. See data sheet for the detailed specifications.

## Technical Specification

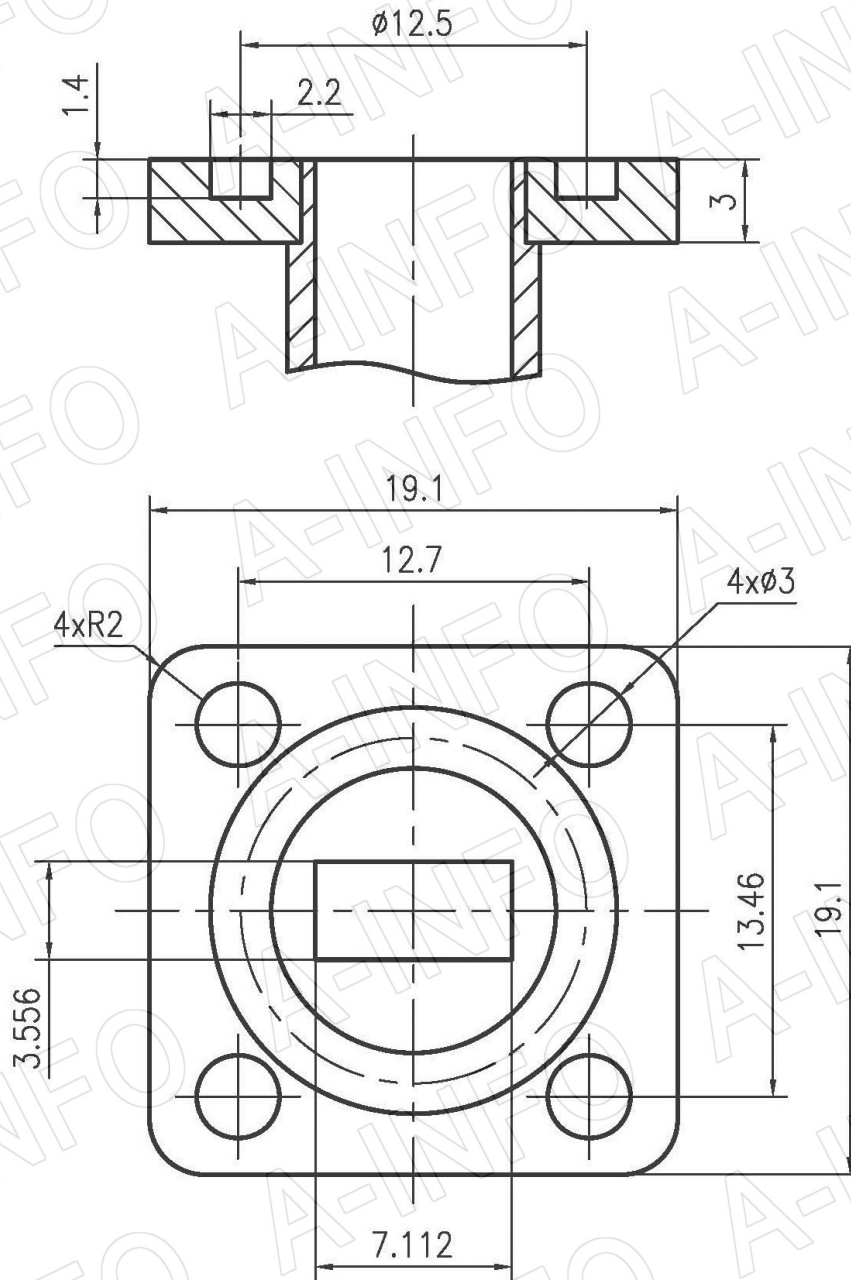


EIA WR	WR28
Frequency Range(GHz)	26.5 – 40.0
Insertion Loss(dB)	0.5 Max.
VSWR	1.30:1 Max.
Flange	FBM320(PBR320)
Connector	2.92mm-Male
Average Power(W CW)	20 Max.
Peak Power(KW)	0.04
Material	Cu
Size(mm)	37.8 x 19.1 x 19.1
Net Weight(Kg)	0.04 Around

## Outline Drawing (Size: mm)



## Flange Drawing (Size: mm)



## FBM320

**AINFO Inc.**

China(Beijing): Tel: (+86) 10-6266-7326,  
China(Chengdu): Tel: (+86) 28-8519-2786,  
USA: Tel: (+1) 949-639-9688,

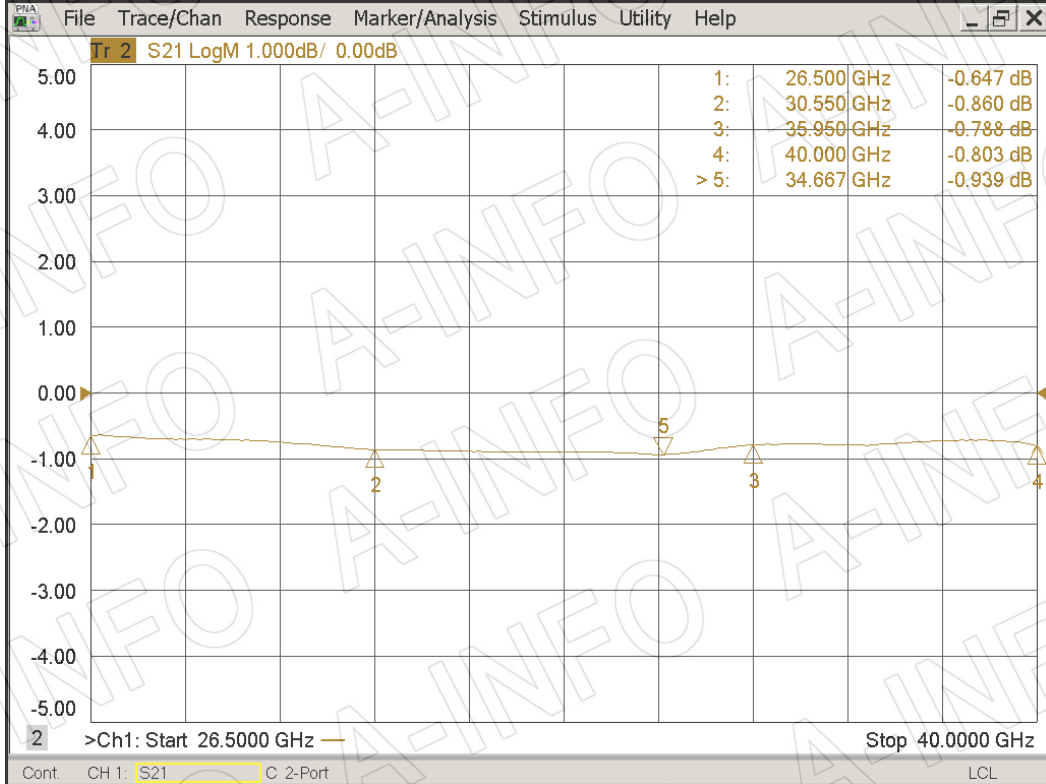
Page 2 of 3

(+86) 10-6266-7327 Fax: (+86) 10-6266-7379  
(+86) 28-8519-3044 Fax: (+86) 28-8519-3068  
(+1) 949-639-9608 Fax: (+1) 949-639-9670

Website: [www.ainfoinc.com](http://www.ainfoinc.com)  
Email: [sales@ainfoinc.com](mailto:sales@ainfoinc.com)

## Test Results

I. L. (Test with two adapters back to back)



## VSWR

