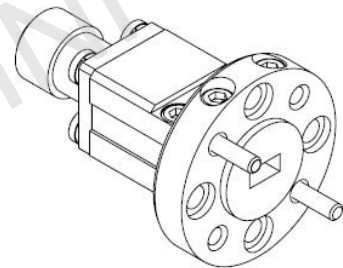
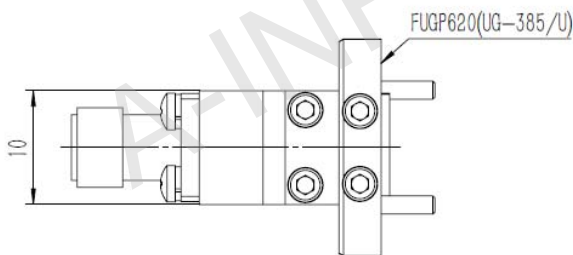
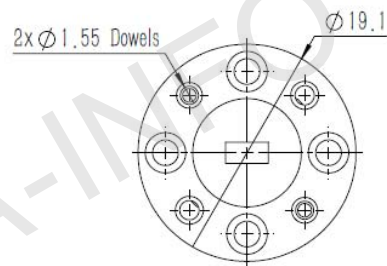
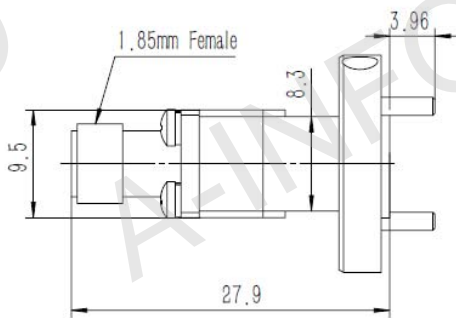


Technical Specification

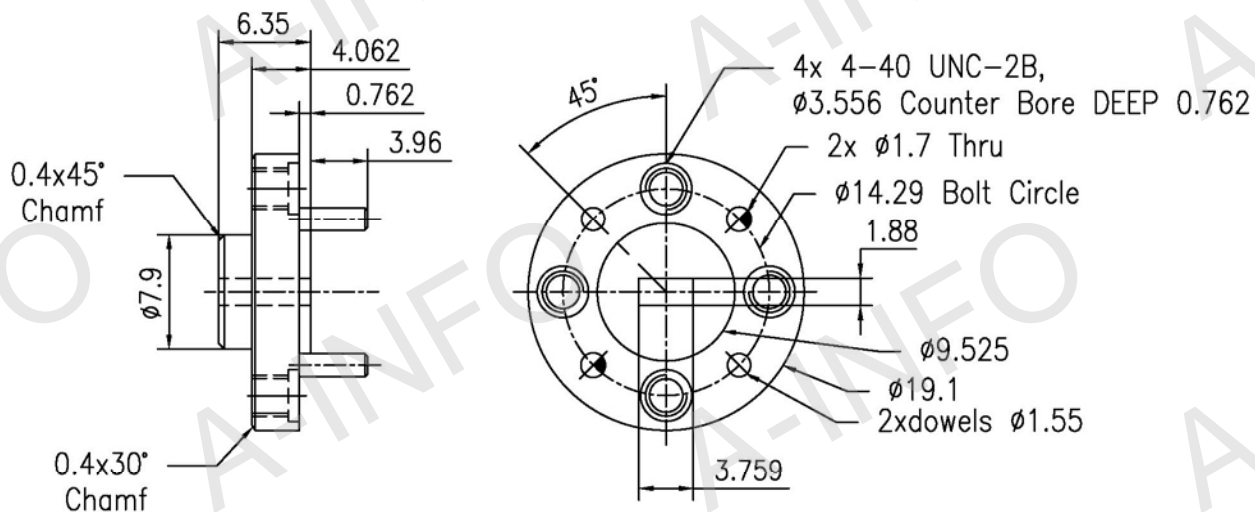


EIA WR	WR15
Frequency Range(GHz)	50.0 - 65.0
Insertion Loss(dB)	1.2 Max.
VSWR	2.0:1 Max.
Flange	FUGP620(UG-385/U)
Connector	1.85mm-Female
Average Power(W CW)	5 Max.
Peak Power(KW)	0.01
Material	Cu
Size(mm)	27.9 x 19.1 x 19.1
Net Weight(Kg)	0.02 Around

Outline Drawing (Size: mm)



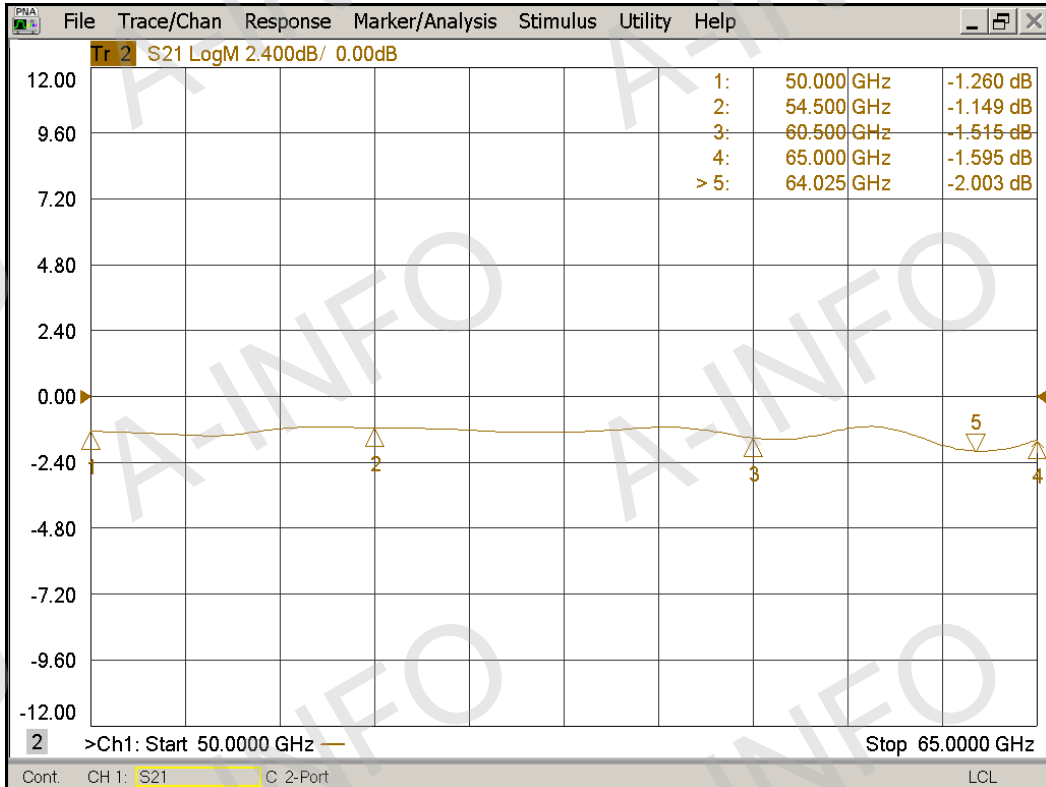
Flange Drawing (Size: mm)



FUGP620
(equivalent to UG-385/U)

Test results

I. L. (Test with two adapters back to back)



VSWR

