

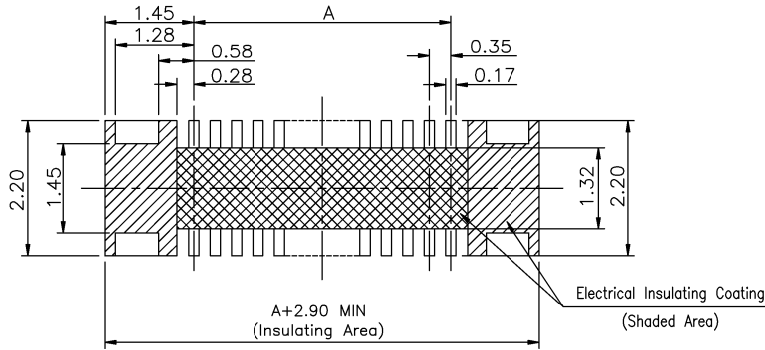
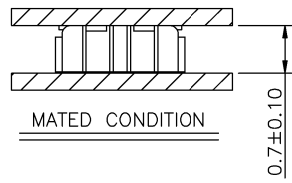
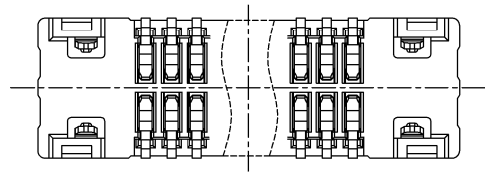
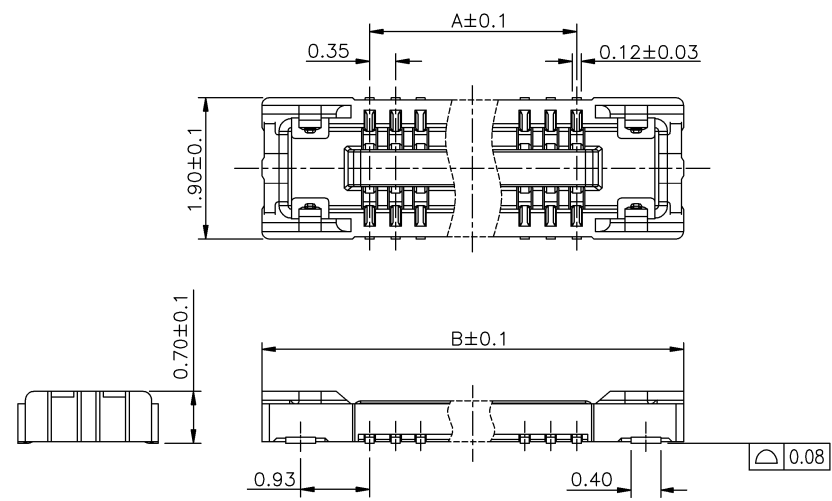
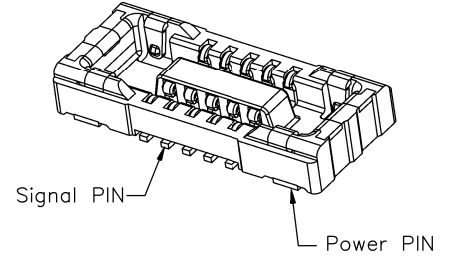
|      |               |         |       |
|------|---------------|---------|-------|
| REV. | SPECIFICATION | ECN NO. | APPD. |
|      |               |         |       |

**Material:**

Housing: LCP, UL94V-0, Black.  
 Signal PIN: Phosphor Bronze, Gold Plated on Contact Area and Gold Flash on Solder Tail over Nickel.  
 Power PIN: Phosphor Bronze, Gold Plated.  
 Solder Tab: Phosphor Bronze, Gold Flash on Solder Tail over Nickel.

**Electrical Characteristics:**

Current Rating: 0.3 AMP For Signal PIN,  
 5.0 AMP For Power PIN.  
  
 Dielectric Withstanding Voltage: AC 250V.  
 Insulation Resistance: 100MΩ min.  
 Contact Resistance: 70mΩ max For Signal PIN,  
 20mΩ max For Power PIN.  
 Operating Temperature: -40°C~+85°C.  
**\*RoHS Compliant**



Series: 2394-xx  
 No. of Positions: F G 00 D N T  
 F: Female  
 G: Gold Plated  
 T: Tape & Reel Package  
 N: Without Post  
 D: SMD Type  
 00: Gold Flash

| "*" Available Position |       |       |  |
|------------------------|-------|-------|--|
| Positions              | A     | B     |  |
| * 10                   | 1.40  | 4.30  |  |
| 24                     | 3.85  | 6.75  |  |
| 30                     | 4.90  | 7.80  |  |
| 34                     | 5.60  | 8.50  |  |
| 38                     | 6.30  | 9.20  |  |
| 40                     | 6.65  | 9.55  |  |
| 44                     | 7.35  | 10.25 |  |
| 50                     | 8.40  | 11.30 |  |
| 60                     | 10.15 | 13.05 |  |

P.C.Board Layout  
 Tolerance: ±0.02

|   |            |                |          |      |  |   |       |     |
|---|------------|----------------|----------|------|--|---|-------|-----|
| Tolerances<br>.x = ±0.25<br>.xx = ±0.15<br>.xxx = ±0.10 | Dwg No.    | S2320201102-05 | Title:   |      | 2394 Series<br>Pitch 0.35mm Female<br>Board to Board Connector | <br>OUPIIN ELECTRONIC(KUNSHAN) CO., LTD.<br>P/N: 2394-xxFG00DNT |       |     |
|   | Projection |                | Unit     | mm   |  |   | Scale | 1:N |
|   | Drawn By   | Emma           | 11/10'20 | Φ567 |  |   | SHEET | 1/1 |