

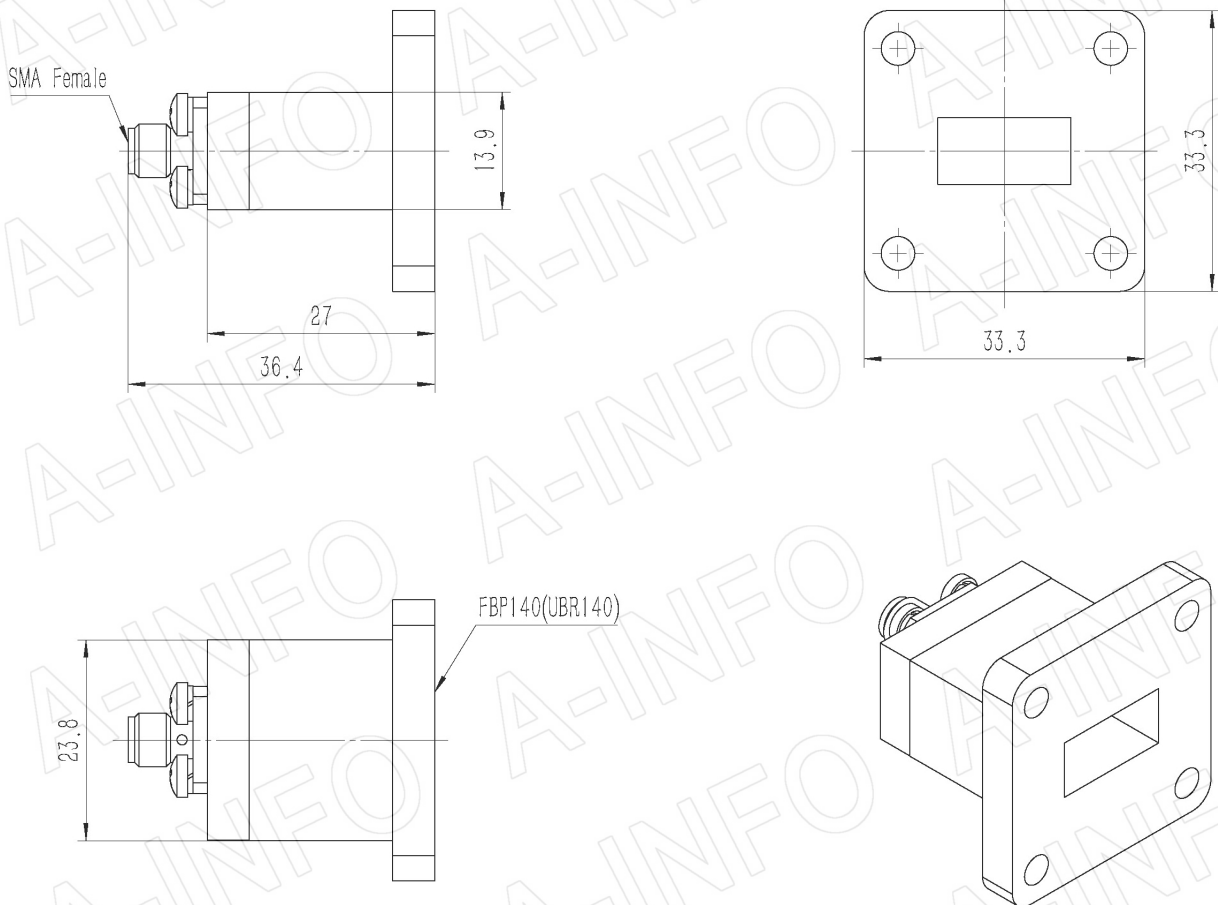
For reference only. See data sheet for the detailed specifications.

Technical Specification

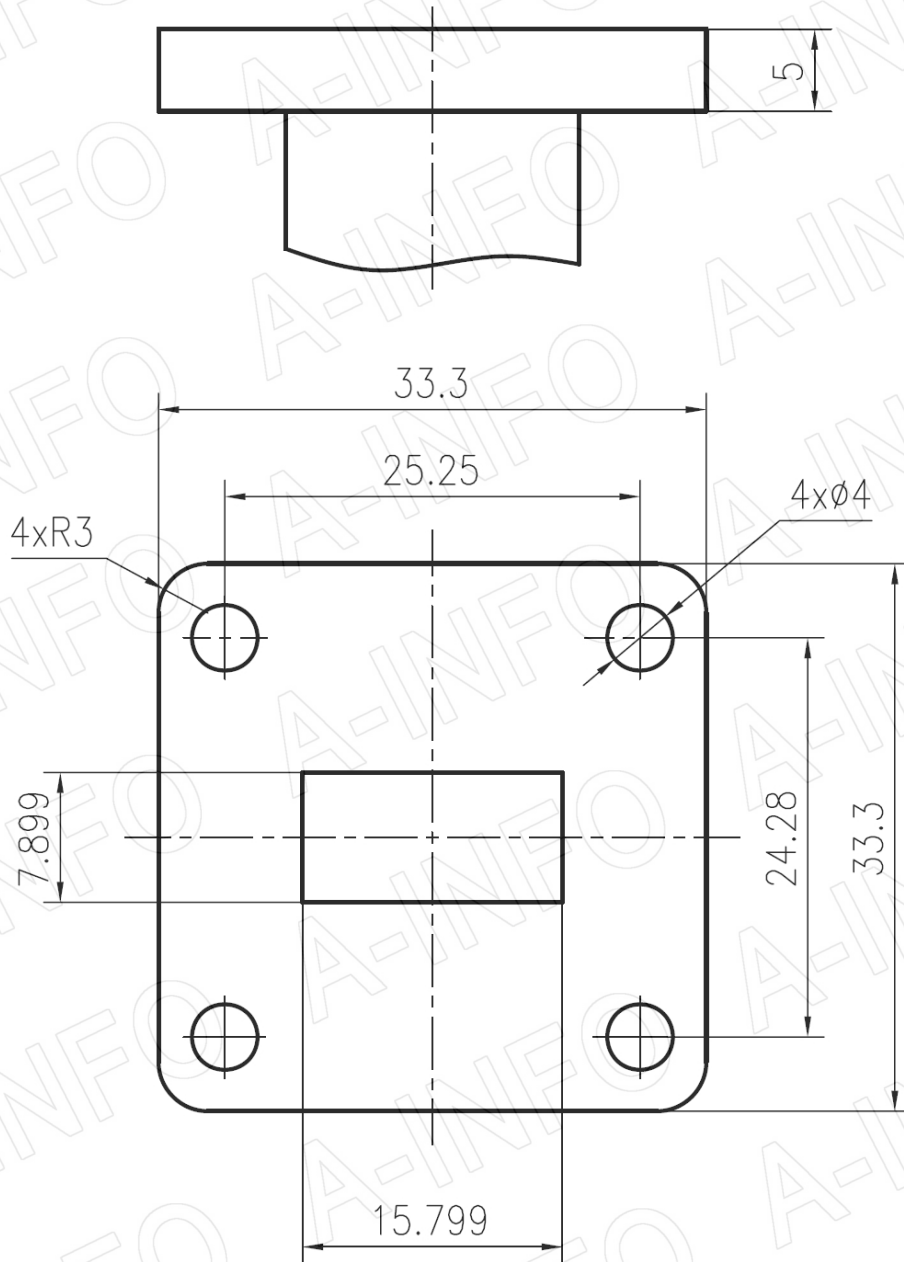


| | |
|----------------------|--------------------|
| EIA WR | WR62 |
| Frequency Range(GHz) | 12.4 – 18.0 |
| Insertion Loss(dB) | 0.25 Max. |
| VSWR | 1.25:1 Max. |
| Flange | FBP140(UBR140) |
| Connector | SMA-Female |
| Average Power(W CW) | 50 Max. |
| Peak Power(KW) | 3 |
| Material | Al |
| Size(mm) | 36.4 x 33.3 x 33.3 |
| Net Weight(Kg) | 0.04 Around |

Outline Drawing (Size: mm)



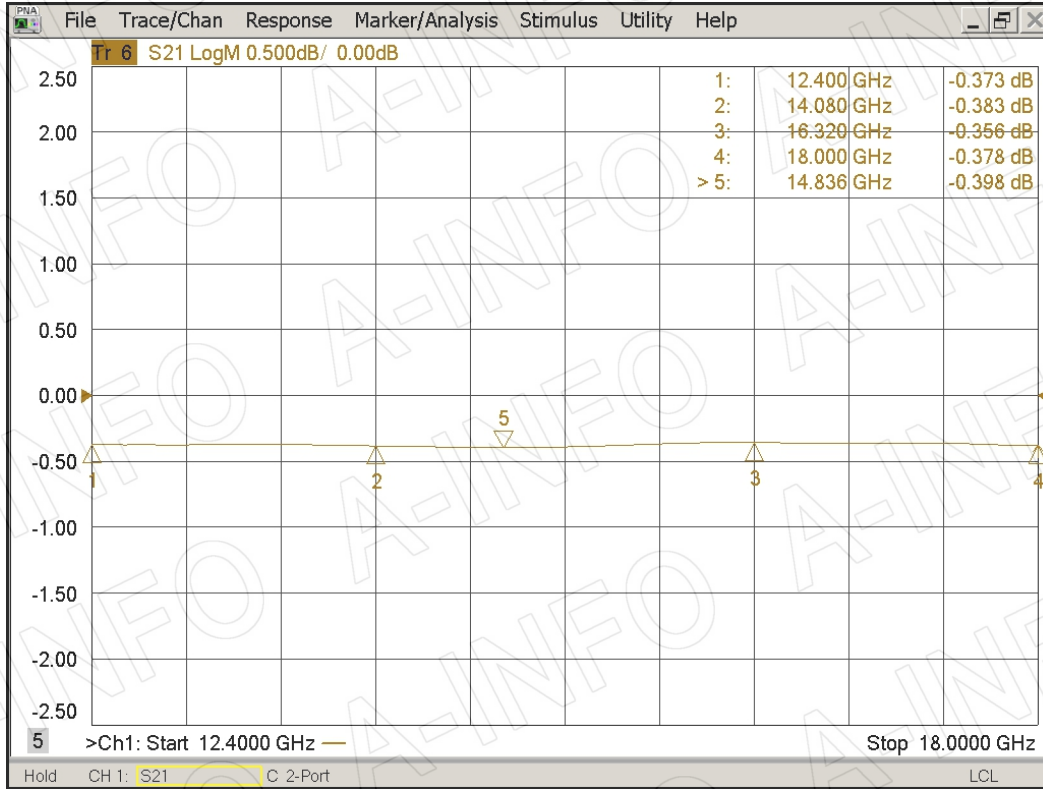
Flange Drawing (Size: mm)



FBP140

Test results

I. L. (Test with two adapters back to back)



VSWR

