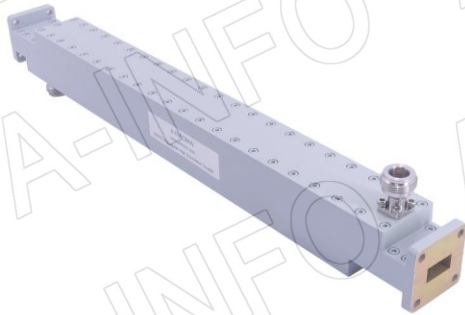


## Technical Specification

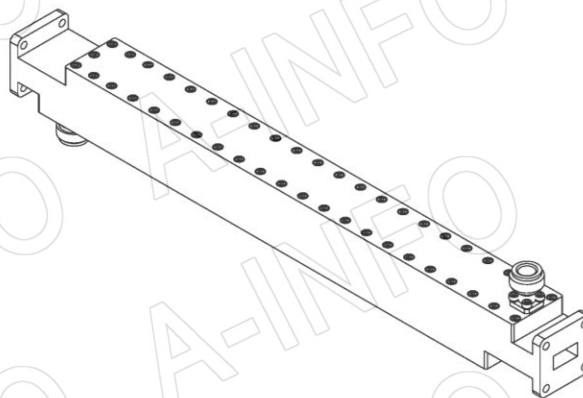


EIA WR	WR62
Frequency Range(GHz)	12.4 – 18.0
Coupling(dB)	50
Coupling Accuracy(dB)	±0.9 Max.
Freq. Sensitivity(dB)	±0.7 Max.
Directivity(dB)	30 Min.
Insertion Loss(dB)	0.3 Max. (Not including the theoretical loss $8.69 \times 10^{-5}$ dB)
Mainline VSWR	1.05:1 Max.
Secondline VSWR	1.25:1 Max.
Flange	FBP140(UBR140)
Coupling Port	N-Female / N-Male
Material	Al
Size(mm)	349.25 x 33.3 x 73.5
Net Weight(Kg)	0.76 Around

## Outline Drawing (Size: mm)

Coupling Port: N-Female

For N-Male connector Coupling Port outline drawing, please contact A-INFO.



AINFO Inc.

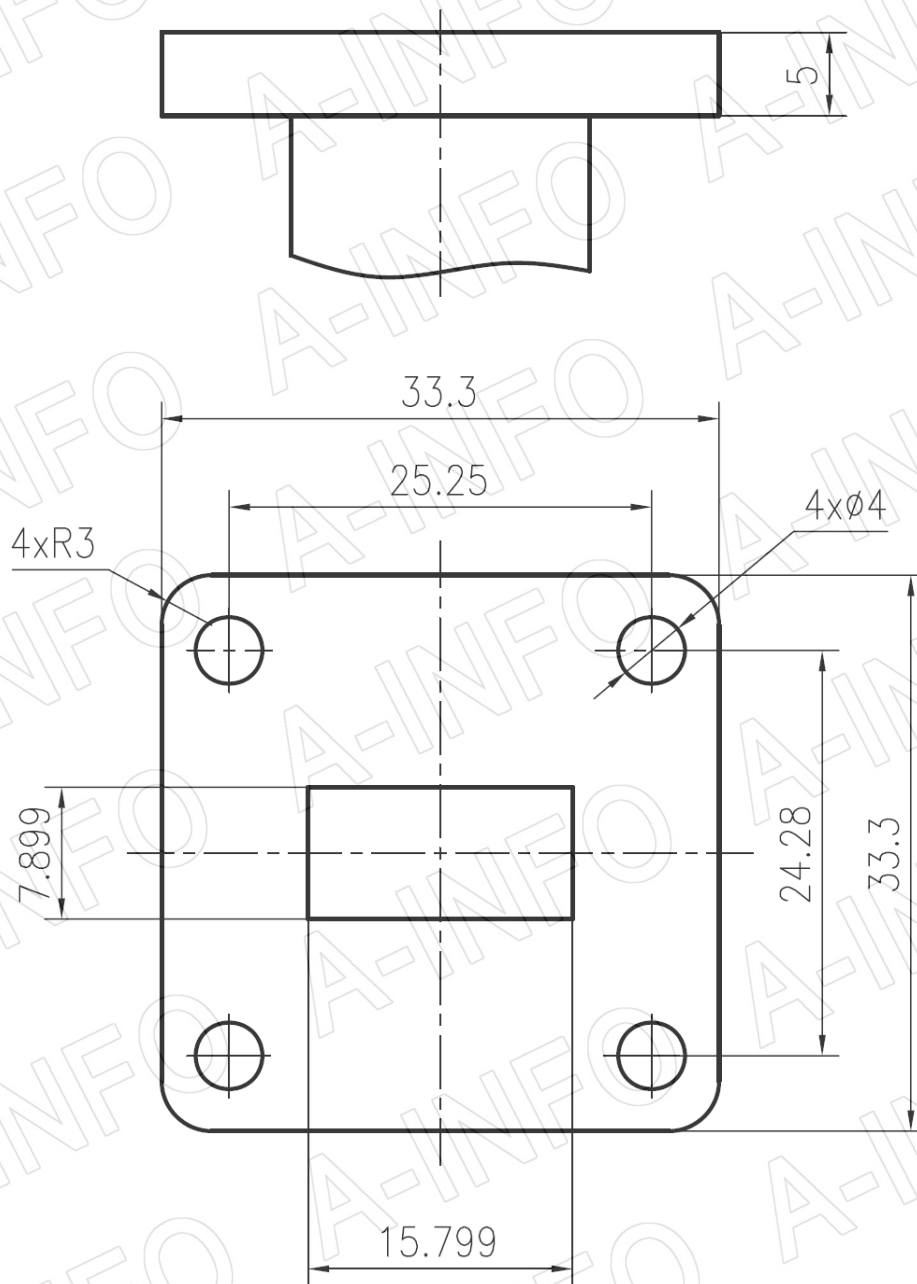
Page 1 of 6

China(Beijing): Tel: (+86) 10-6266-7326,  
China(Chengdu): Tel: (+86) 28-8519-2786,  
USA: Tel: (+1) 949-639-9688,

(+86) 10-6266-7327 Fax: (+86) 10-6266-7379  
(+86) 28-8519-3044 Fax: (+86) 28-8519-3068  
(+1) 949-639-9608 Fax: (+1) 949-639-9670

Website: [www.ainfoinc.com](http://www.ainfoinc.com)  
Email: [sales@ainfoinc.com](mailto:sales@ainfoinc.com)

## Flange Drawing (Size: mm)



**FBP140**

**AINFO Inc.**

Page 2 of 6

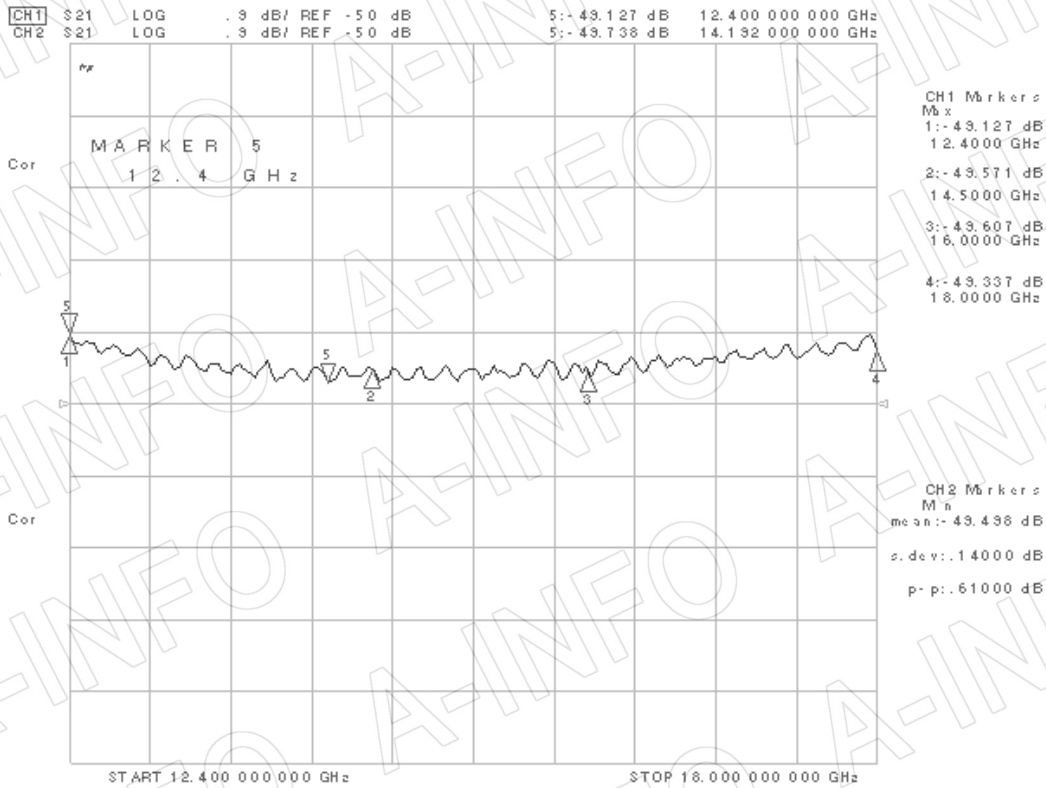
China(Beijing): Tel: (+86) 10-6266-7326,  
China(Chengdu): Tel: (+86) 28-8519-2786,  
USA: Tel: (+1) 949-639-9688,

(+86) 10-6266-7327 Fax: (+86) 10-6266-7379  
(+86) 28-8519-3044 Fax: (+86) 28-8519-3068  
(+1) 949-639-9608 Fax: (+1) 949-639-9670

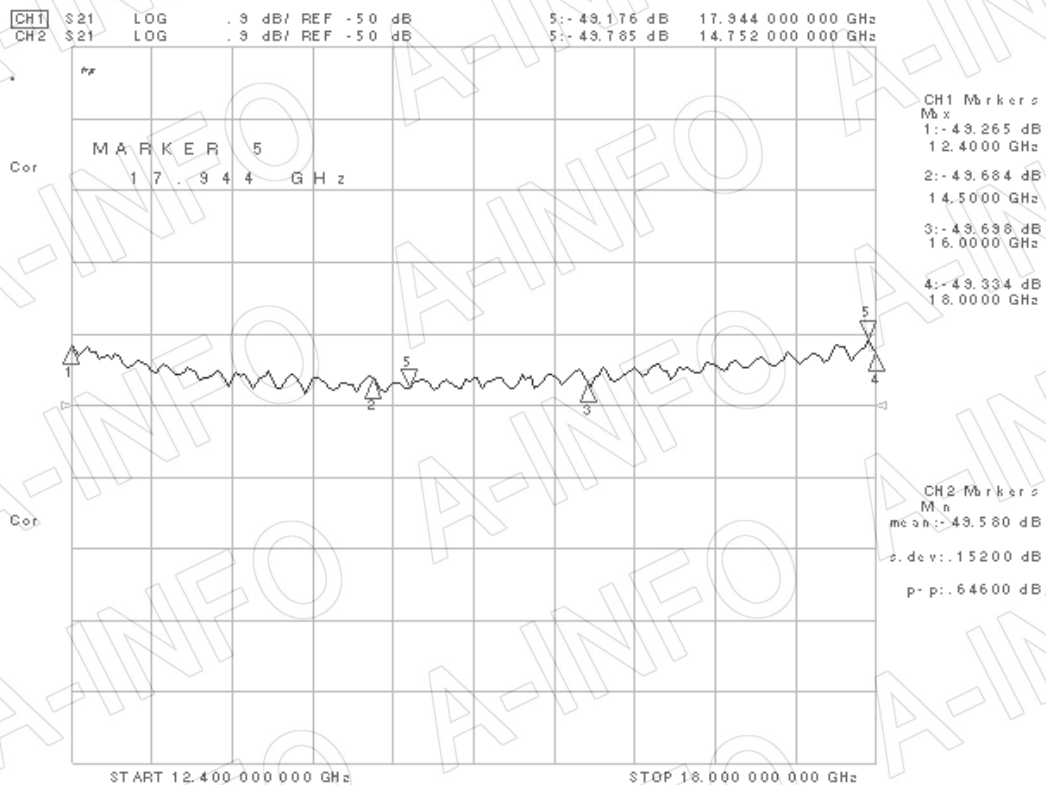
Website: [www.ainfoinc.com](http://www.ainfoinc.com)  
Email: [sales@ainfoinc.com](mailto:sales@ainfoinc.com)

## Test Results

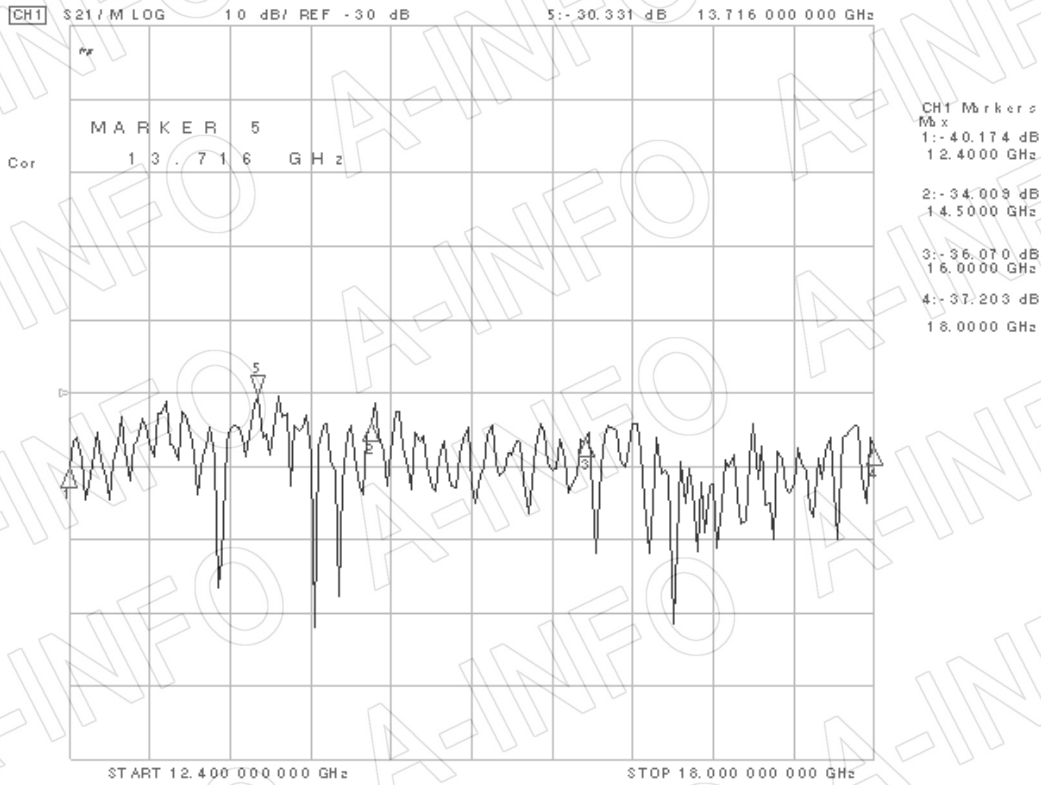
### Coupling Port 1



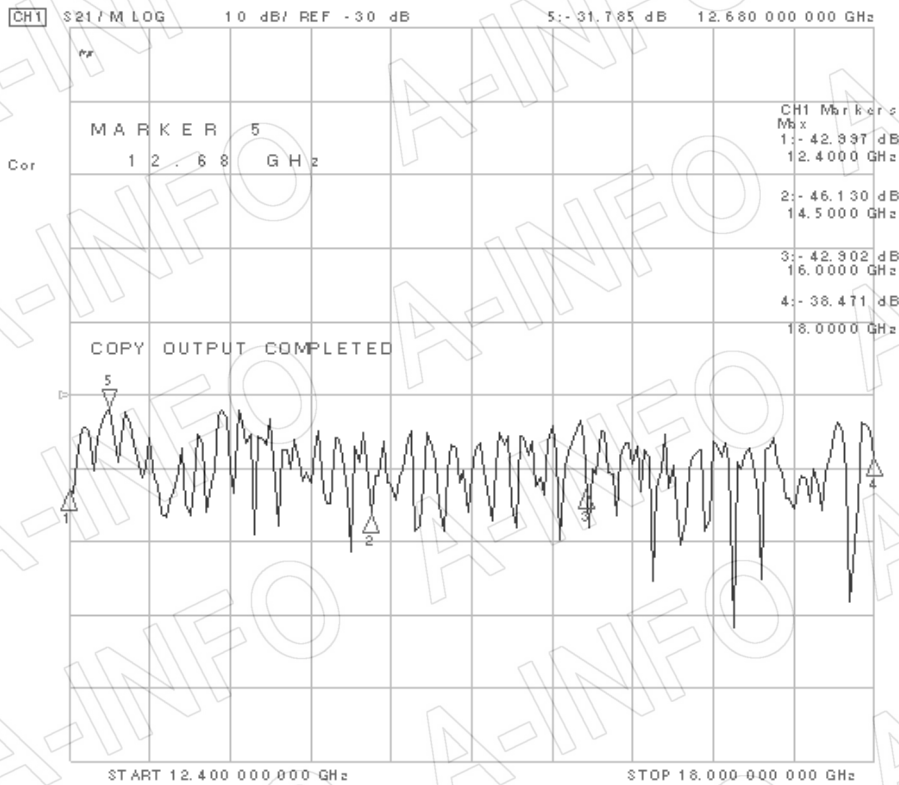
### Port 2



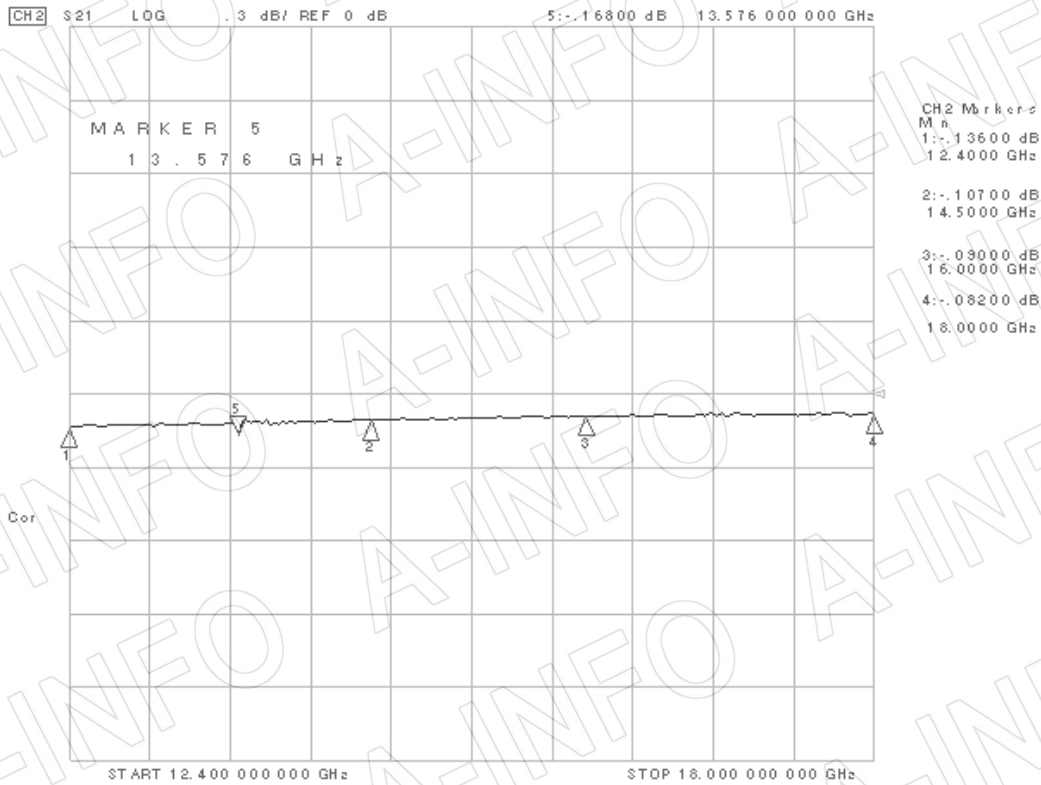
## Directivity Port 1



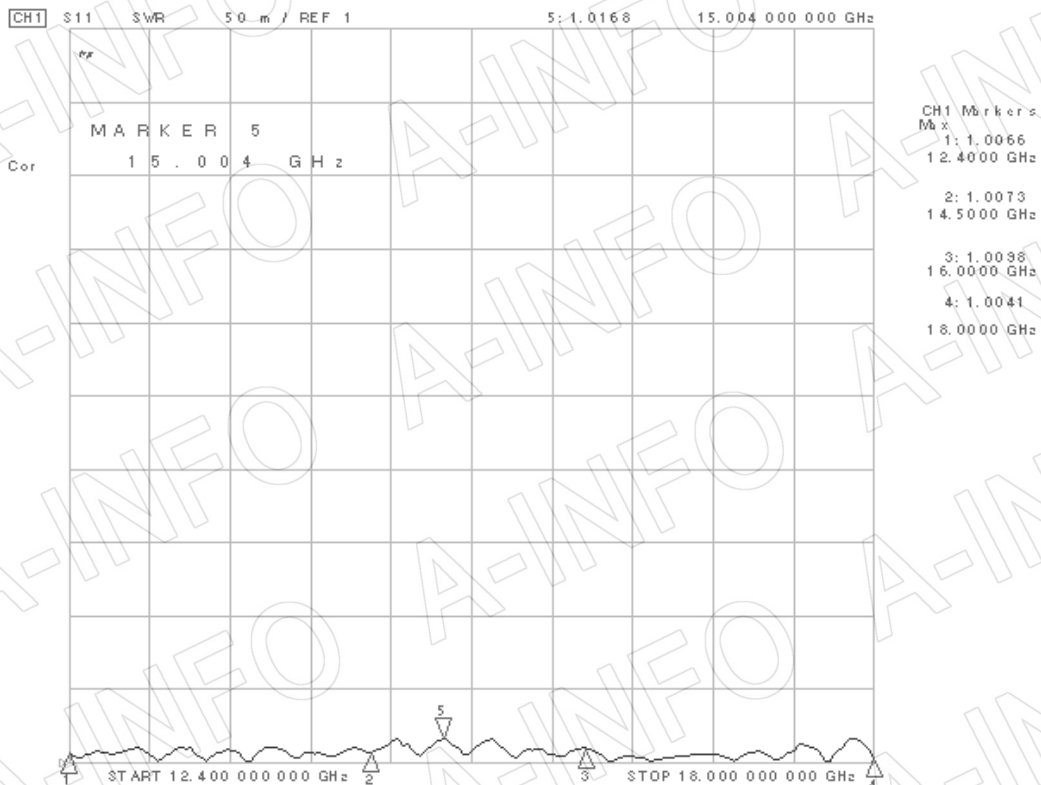
## Port 2



I.L. (Including the theoretical loss  $8.69 \times 10^{-5}$  dB)



Mainline VSWR



AINFO Inc.

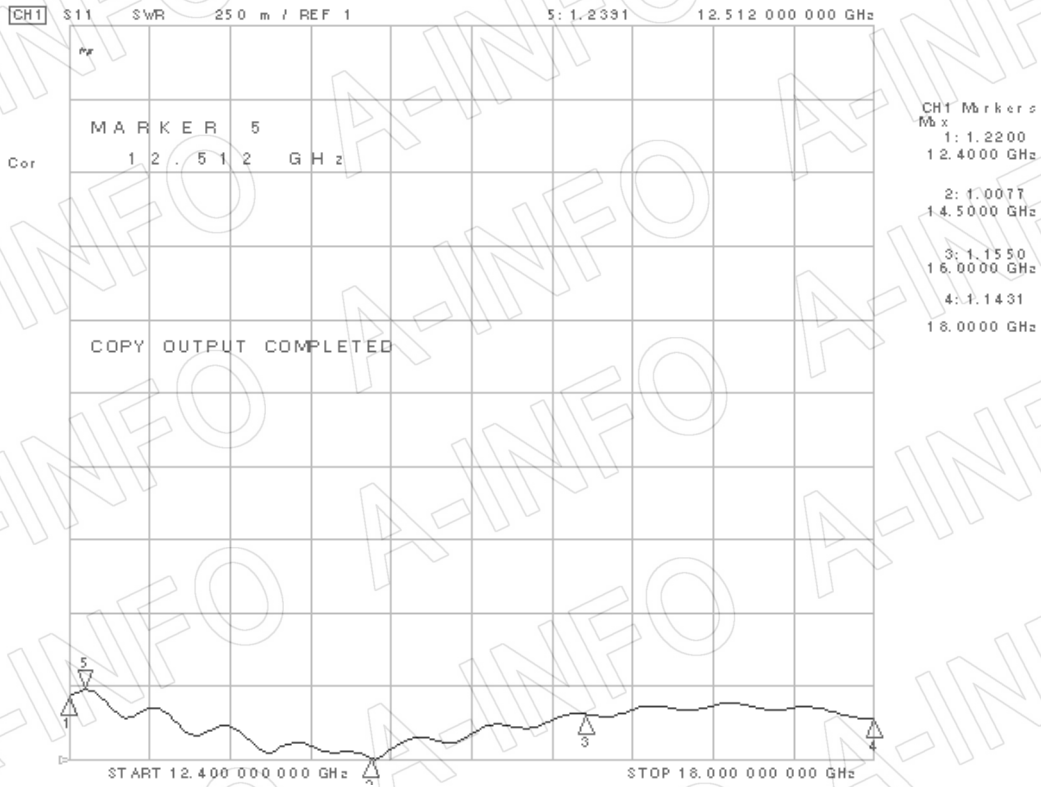
Page 5 of 6

China(Beijing): Tel: (+86) 10-6266-7326,  
China(Chengdu): Tel: (+86) 28-8519-2786,  
USA: Tel: (+1) 949-639-9688,

(+86) 10-6266-7327 Fax: (+86) 10-6266-7379  
(+86) 28-8519-3044 Fax: (+86) 28-8519-3068  
(+1) 949-639-9608 Fax: (+1) 949-639-9670

Website: www.ainfoinc.com  
Email: sales@ainfoinc.com

## Secondline VSWR Port 1



## Port 2

