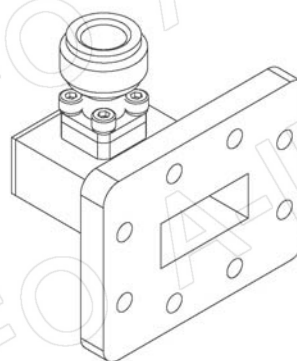
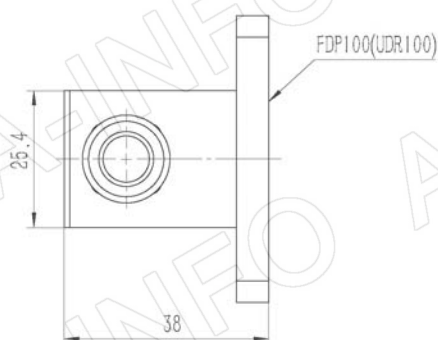
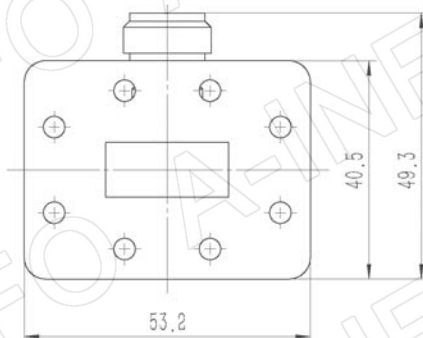
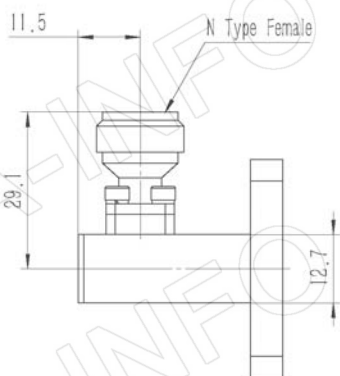


Technical Specification

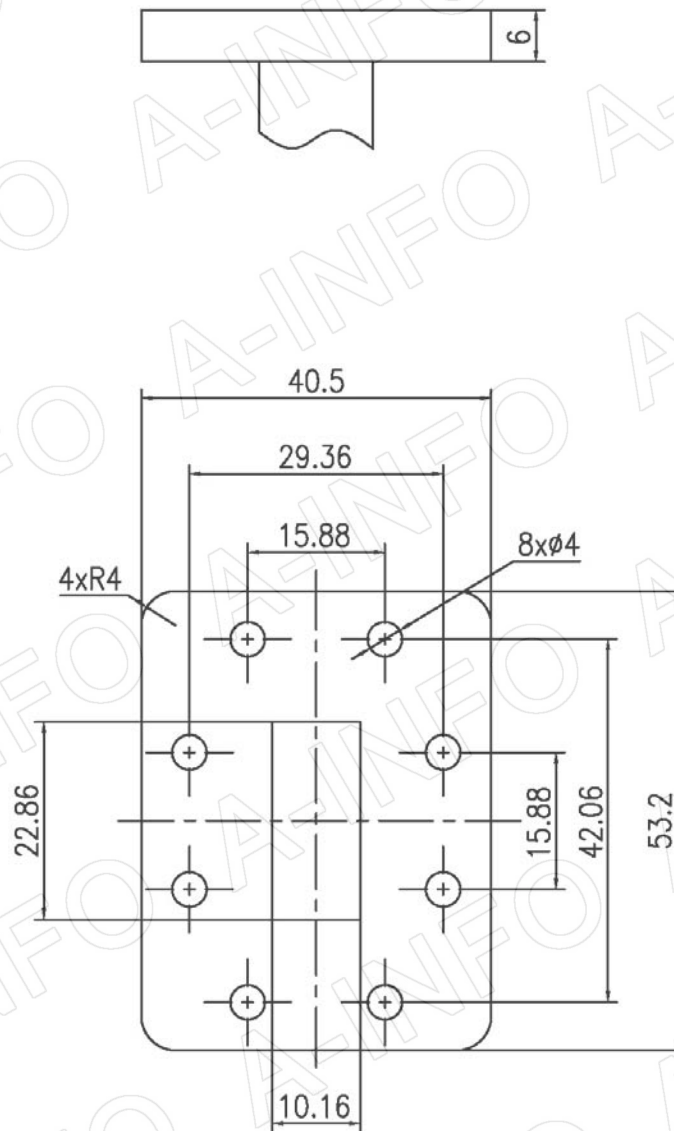


EIA WR	WR90
Frequency Range(GHz)	8.2 - 12.4
Insertion Loss(dB)	0.21 Max.
VSWR	1.25:1 Max.
Flange	FDP100(UDR100)
Connector	N-Female
Average Power(W CW)	150 Max.
Peak Power(KW)	3
Material	Al
Size(mm)	38 x 53.2 x 49.3
Net Weight(Kg)	0.06 Around

Outline Drawing (Size: mm)



Flange Drawing (Size: mm)



FDP100

AINFO Inc.

Page 2 of 3

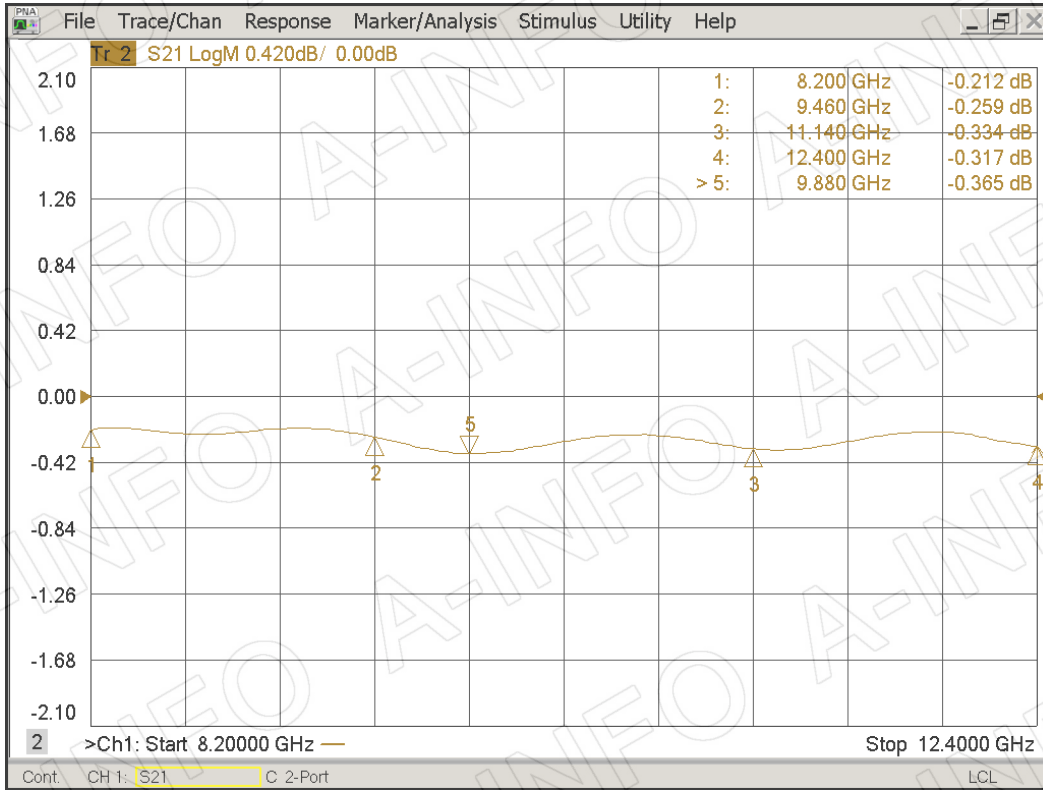
China(Beijing): Tel: (+86) 10-6266-7326,
China(Chengdu): Tel: (+86) 28-8519-2786,
USA: Tel: (+1) 949-639-9688,

(+86) 10-6266-7327 Fax: (+86) 10-6266-7379
(+86) 28-8519-3044 Fax: (+86) 28-8519-3068
(+1) 949-639-9608 Fax: (+1) 949-639-9670

Website: www.ainfoinc.com
Email: sales@ainfoinc.com

Test Results

I. L. (Test with two adapters back to back)



VSWR

