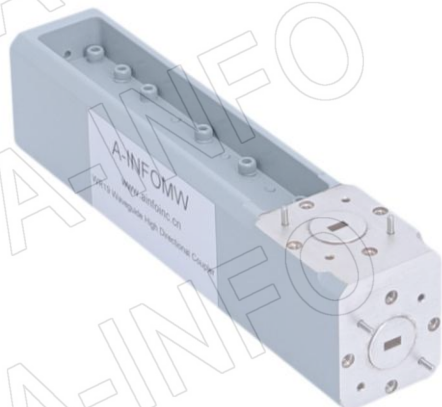


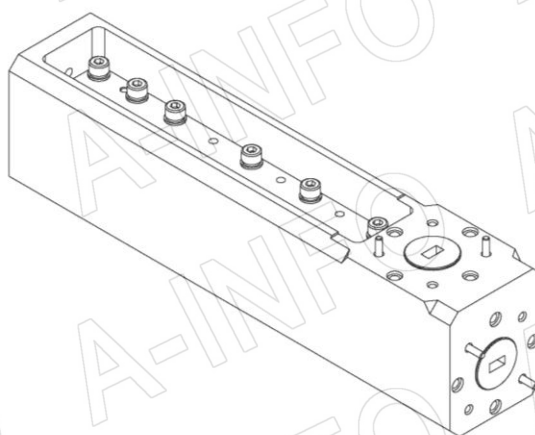
For reference only. See data sheet for the detailed specifications.

Technical Specification



EIA WR	WR19
Frequency Range(GHz)	40.0 – 60.0
Coupling(dB)	6
Coupling Accuracy(dB)	±1.3 Max.
Frequency Sensitivity(dB)	±0.9 Max.
Directivity(dB)	30 Min.
Insertion Loss(dB)	0.5 Max. (Not including the theoretical loss 1.26dB)
Mainline VSWR	1.15:1 Max.
Secondline VSWR	1.20:1 Max.
Flange	FUGP500(UG-383/U-M)
Material	Cu
Size(mm)	139.7 x 28.6 x 34.6
Net Weight(Kg)	0.76 Around

Outline Drawing (Size: mm)



AINFO Inc.

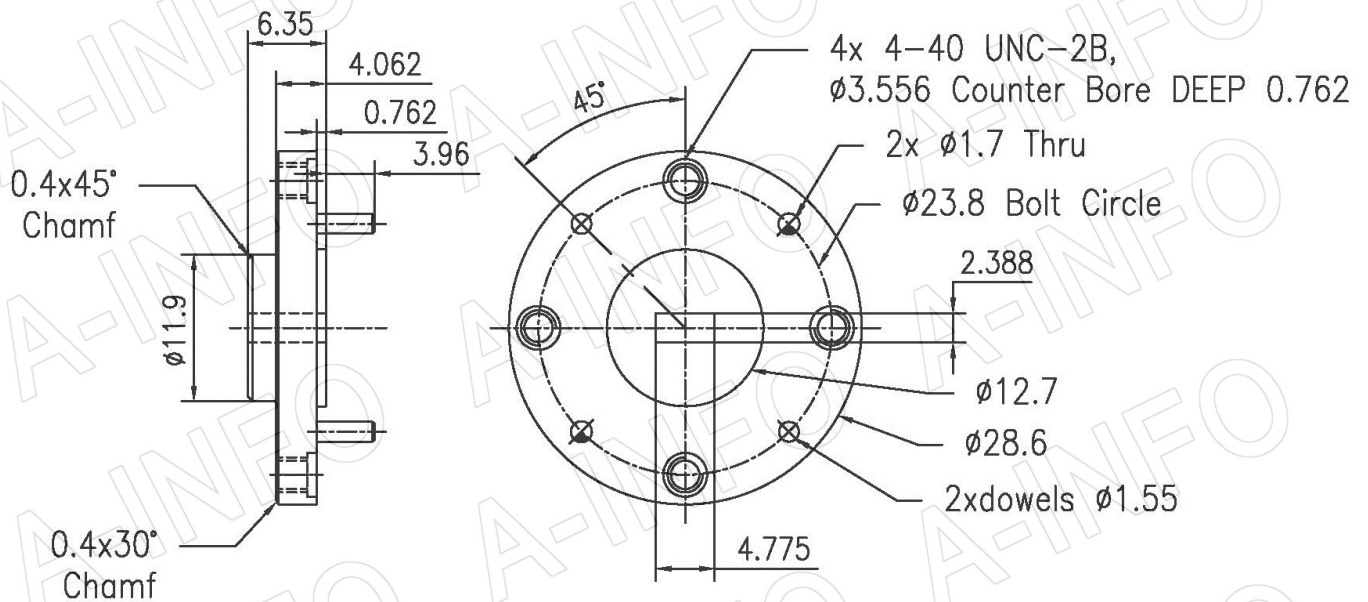
China(Beijing): Tel: (+86) 10-6266-7326,
China(Chengdu): Tel: (+86) 28-8519-2786,
USA: Tel: (+1) 949-639-9688,

Page 1 of 5

(+86) 10-6266-7327 Fax: (+86) 10-6266-7379
(+86) 28-8519-3044 Fax: (+86) 28-8519-3068
(+1) 949-639-9608 Fax: (+1) 949-639-9670

Website: www.ainfoinc.com
Email: sales@ainfoinc.com

Flange Drawing (Size: mm)



FUGP500
(equivalent to UG-383/U-M)

AINFO Inc.

China(Beijing): Tel: (+86) 10-6266-7326,
China(Chengdu): Tel: (+86) 28-8519-2786,
USA: Tel: (+1) 949-639-9688,

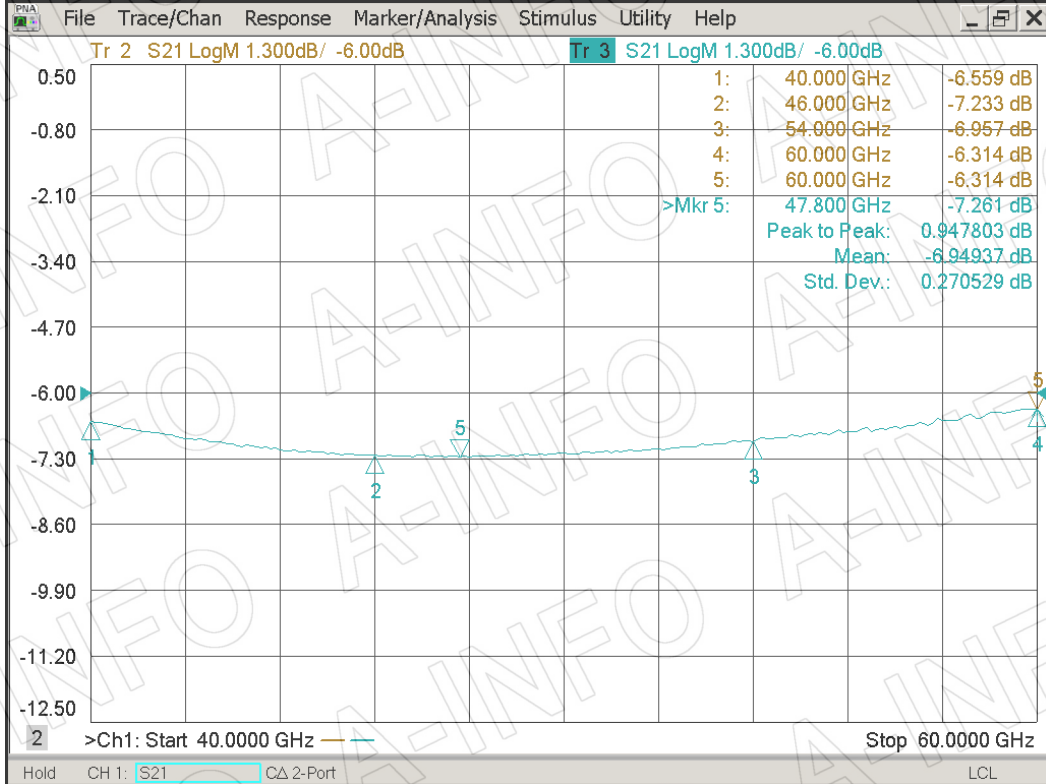
Page 2 of 5

(+86) 10-6266-7327 Fax: (+86) 10-6266-7379
(+86) 28-8519-3044 Fax: (+86) 28-8519-3068
(+1) 949-639-9608 Fax: (+1) 949-639-9670

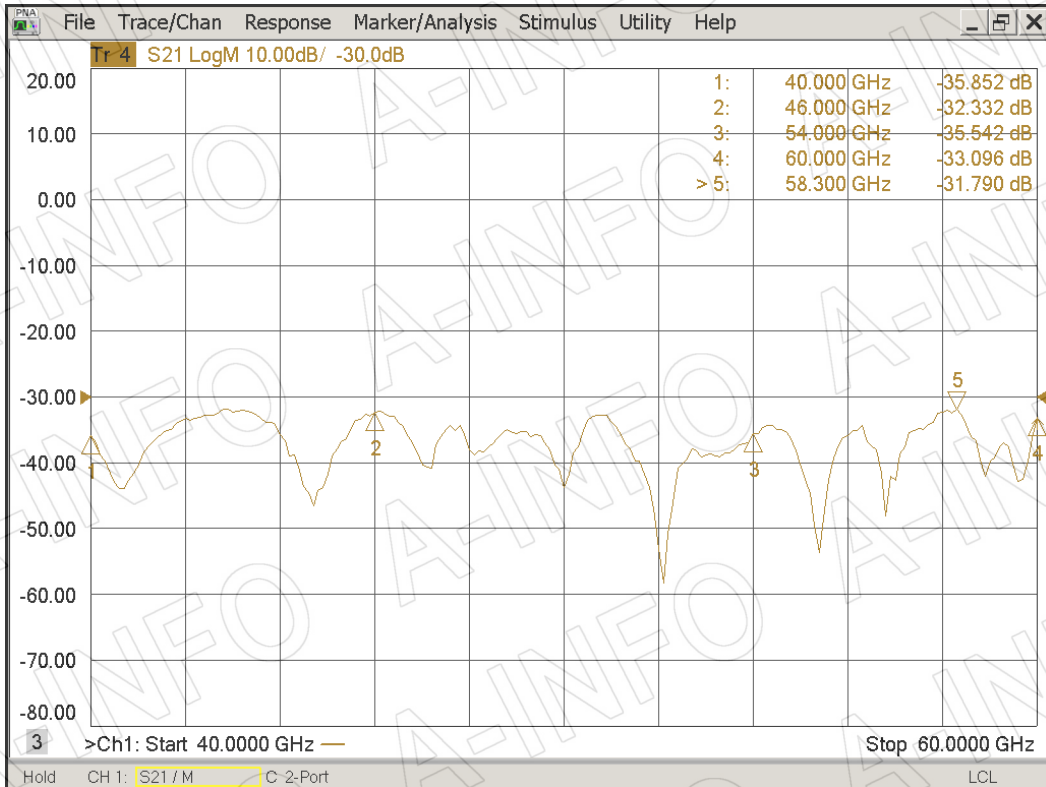
Website: www.ainfoinc.com
Email: sales@ainfoinc.com

Test Results

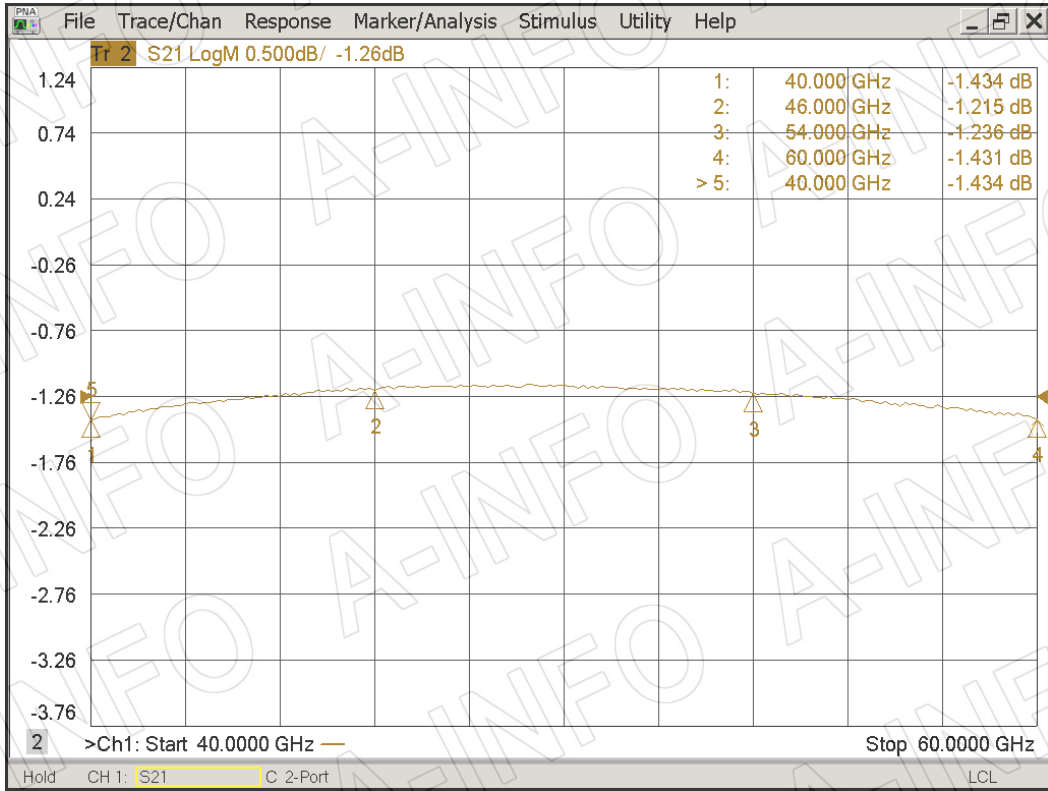
Coupling



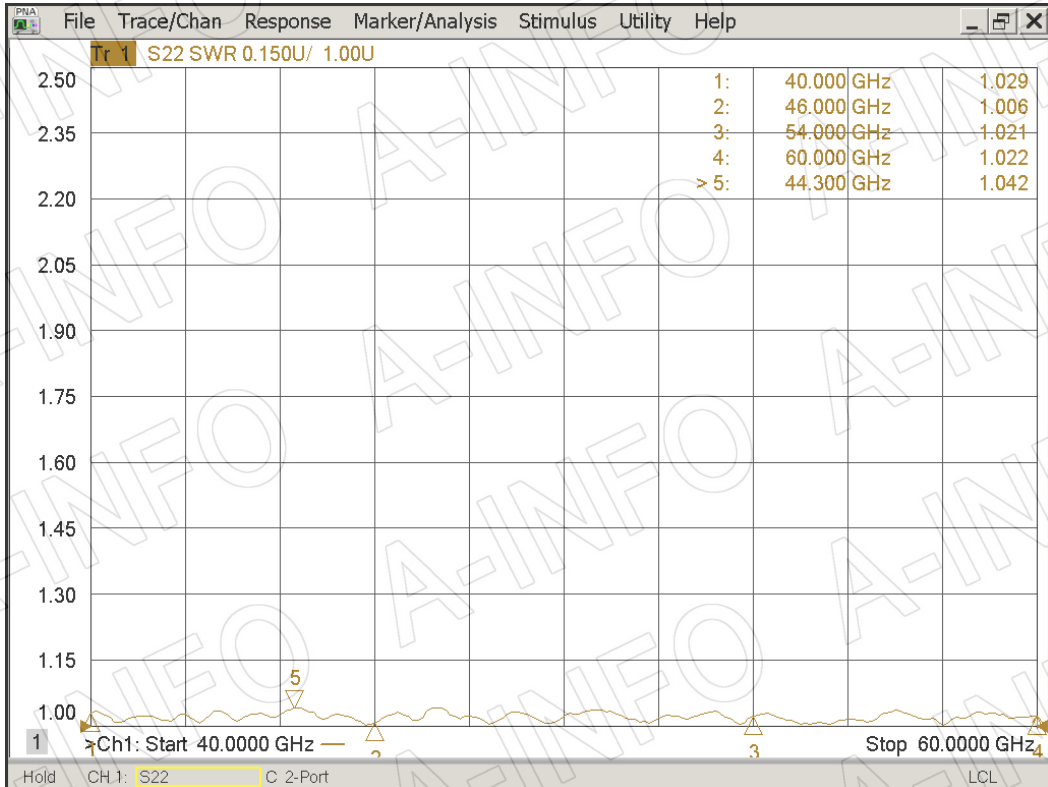
Directivity



I.L. (Including the theoretical loss 1.26dB)



Mainline VSWR



Secondline VSWR

